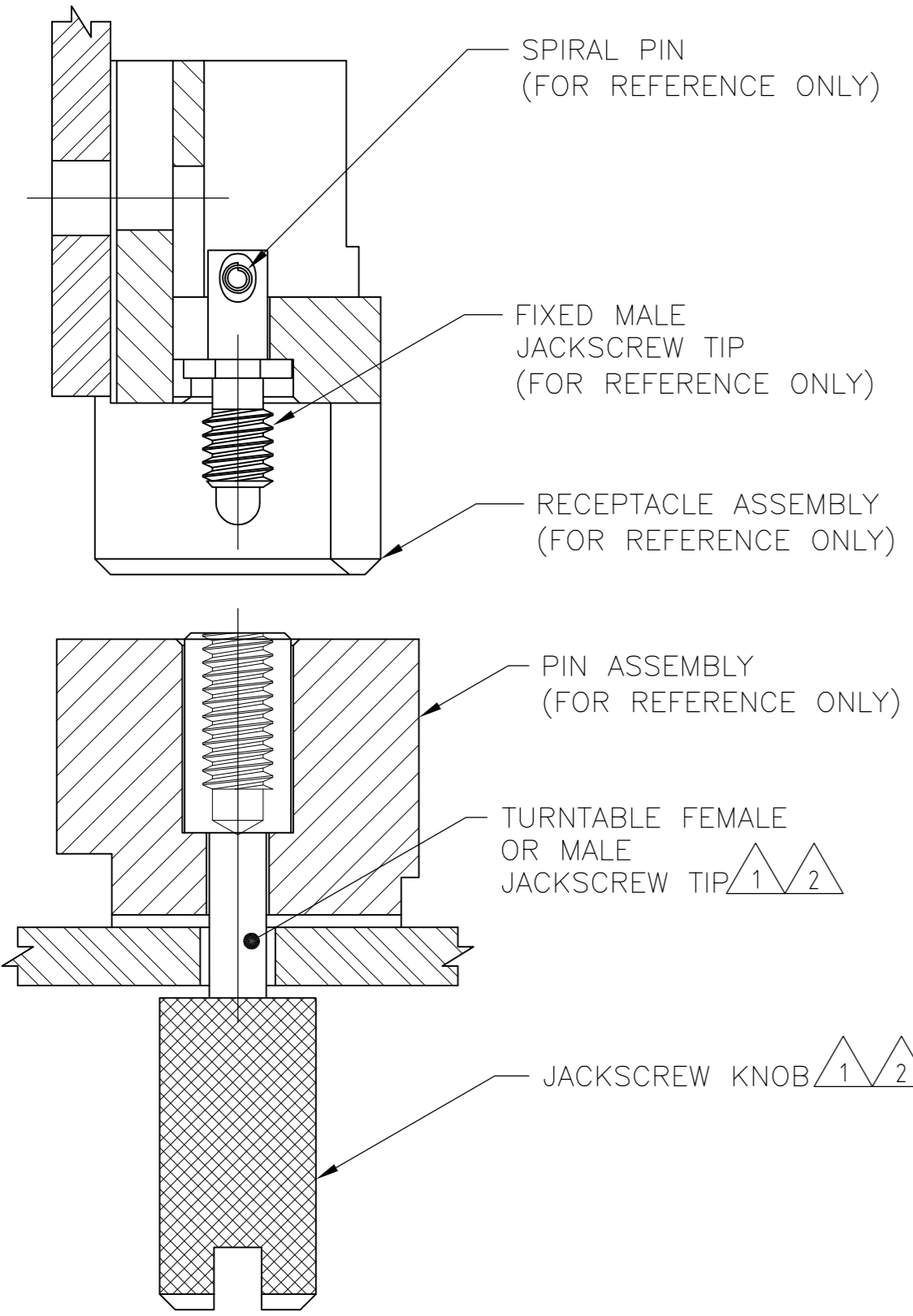
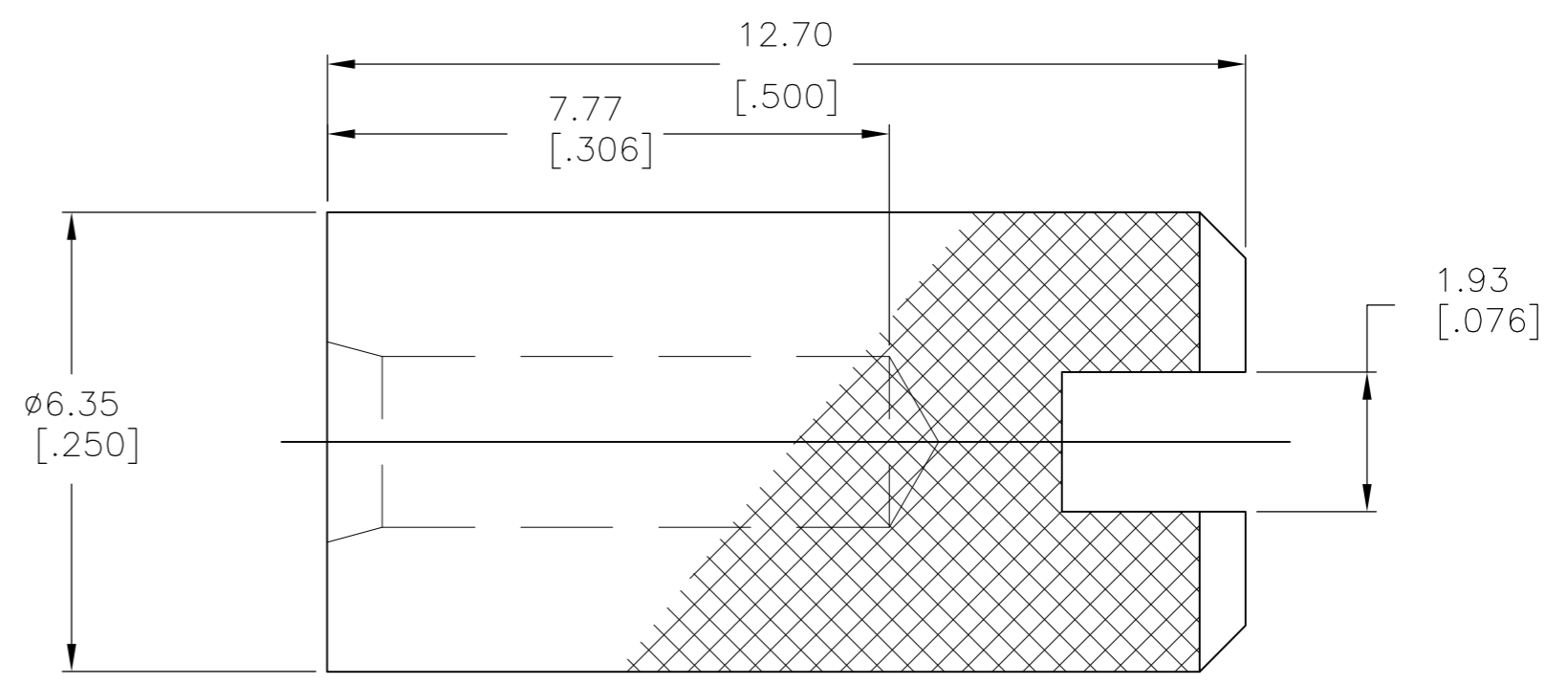
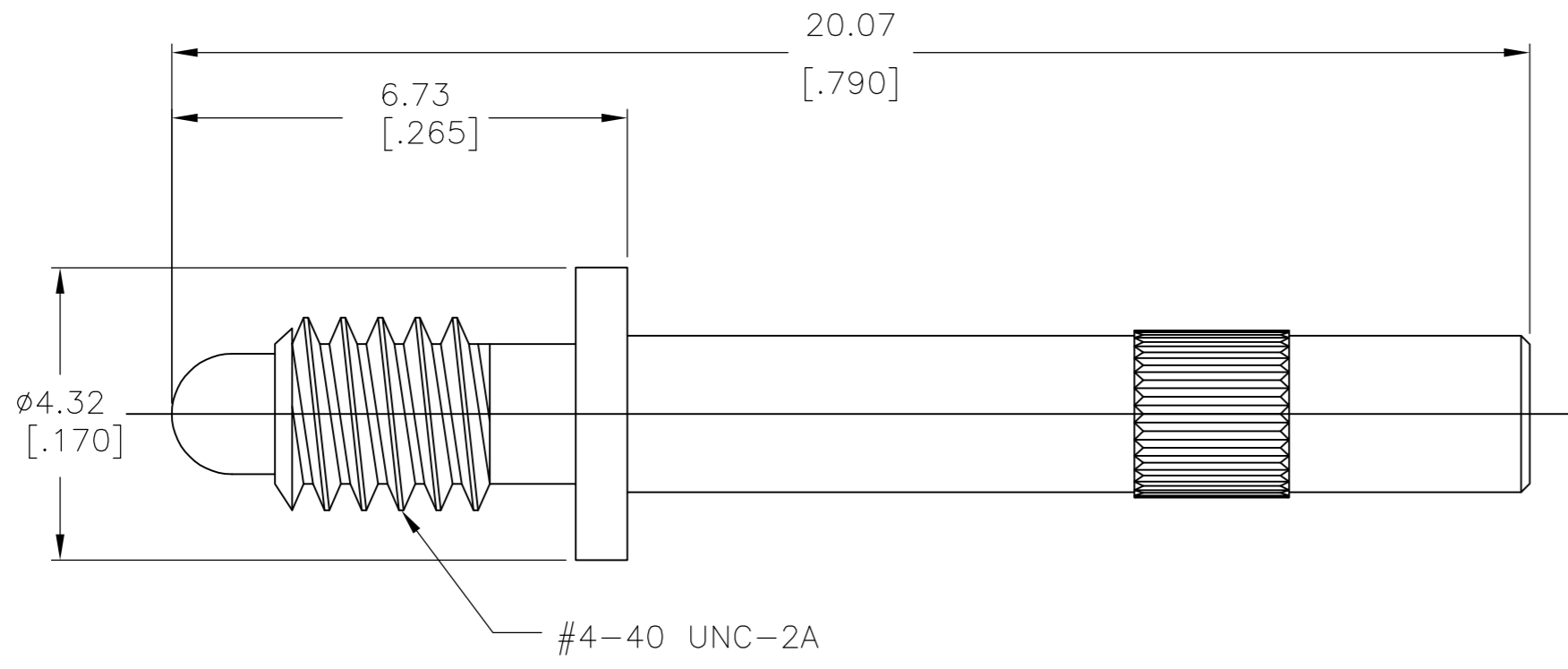


THIS DRAWING IS UNPUBLISHED. RELEASED FOR PUBLICATION
 © COPYRIGHT BY TYCO ELECTRONICS CORPORATION. ALL RIGHTS RESERVED.

LOC		DIST		REVISIONS			
P	LTR	DESCRIPTION		DATE	DWN	APVD	
	B	REVISED PER ECO-07-028862		12DEC07	DH	AS	



- 1 MATERIAL: STAINLESS STEEL.
- 2 FINISH: PASSIVATED.

YES	536950-1
SLOT FOR SCREW DRIVER	PART NUMBER

THIS DRAWING IS A CONTROLLED DOCUMENT.		DWN	T. SHUEY	6-5-96	Tyco Electronics Corporation Harrisburg, PA 17105-3608
DIMENSIONS: mm		CHK	J. WEARY	6-5-96	
TOLERANCES UNLESS OTHERWISE SPECIFIED:		APVD	J. WEARY	6-5-96	
0 PLC ± - 1 PLC ± - 2 PLC ± - 3 PLC ± 0.13 [0.005] 4 PLC ± - ANGLES ± -		PRODUCT SPEC	NAME		
MATERIAL	1	FINISH	2	WEIGHT	-
CUSTOMER DRAWING		SIZE	A2	CAGE CODE	00779
		DRAWING NO	C=536950		RESTRICTED TO
		SCALE	10:1	SHEET	1 OF 1
		REV	B		

536950