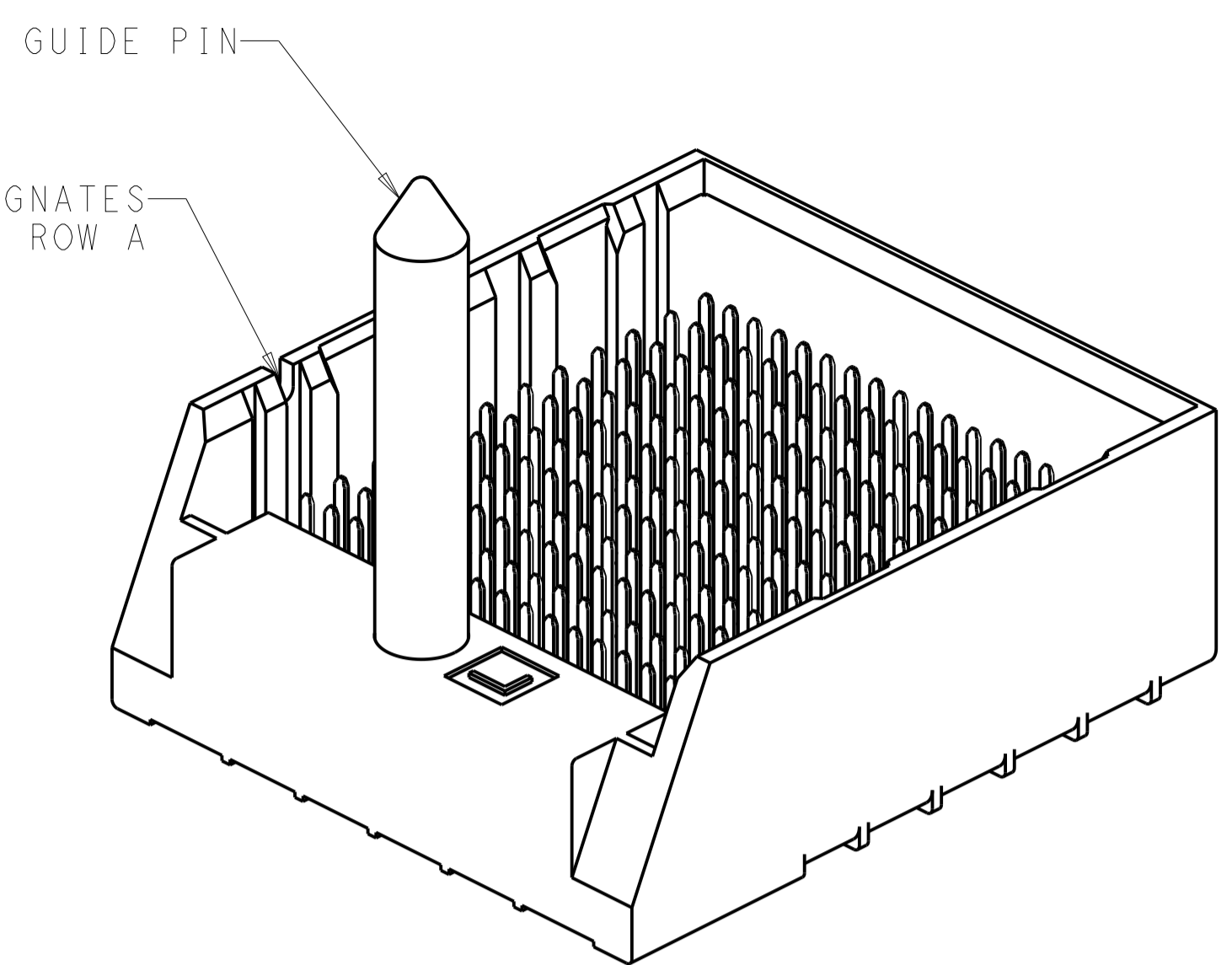
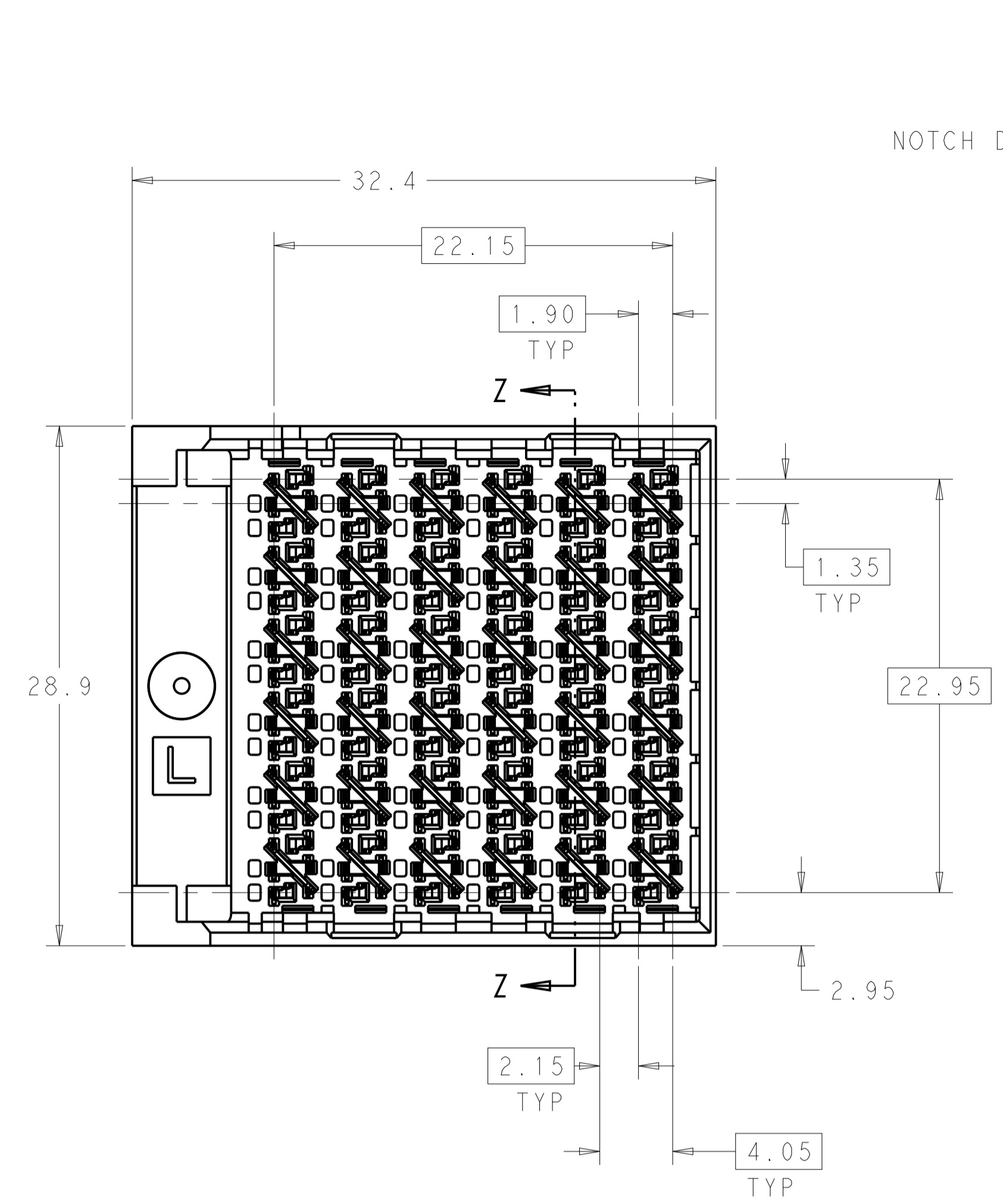
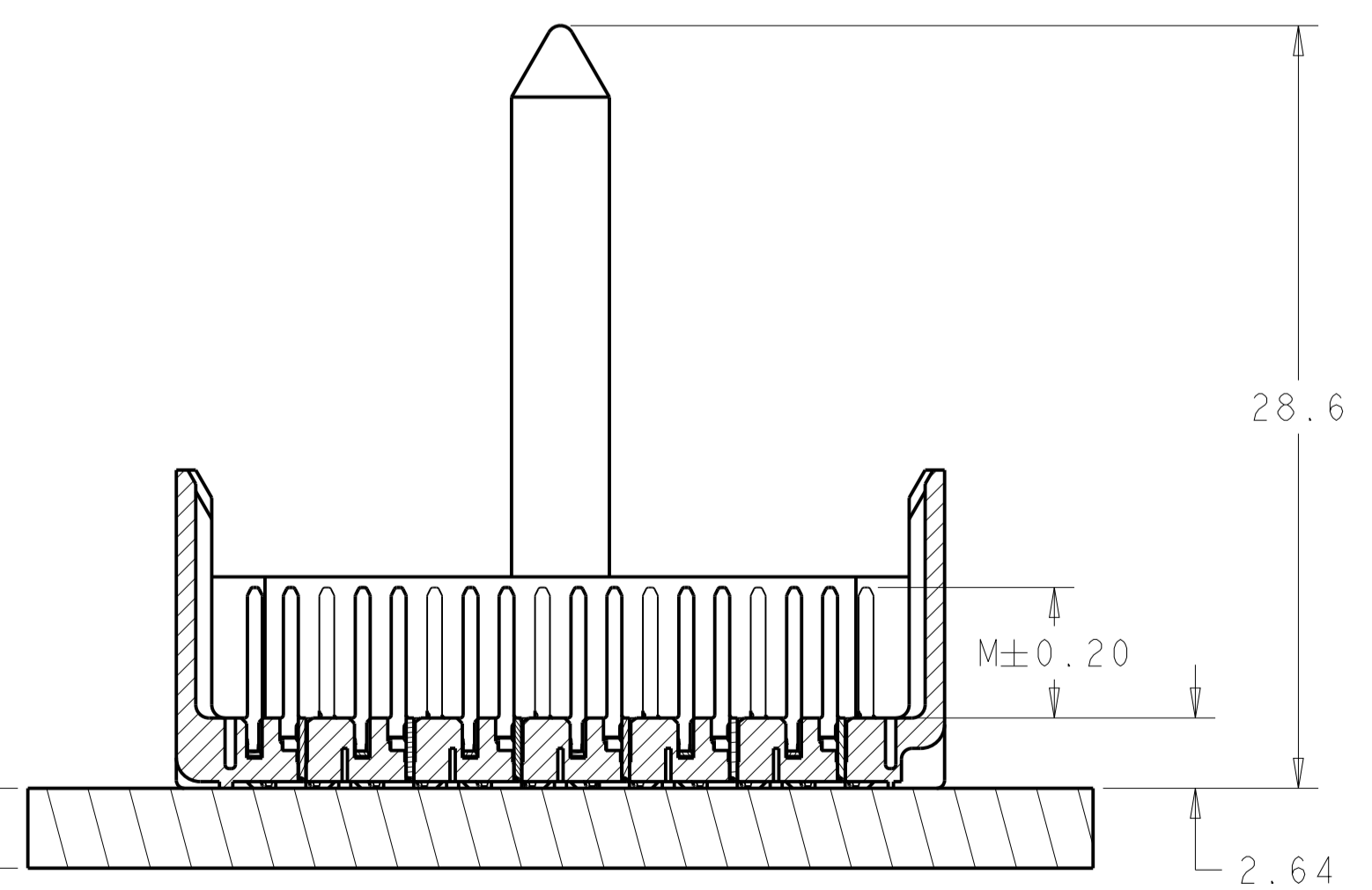
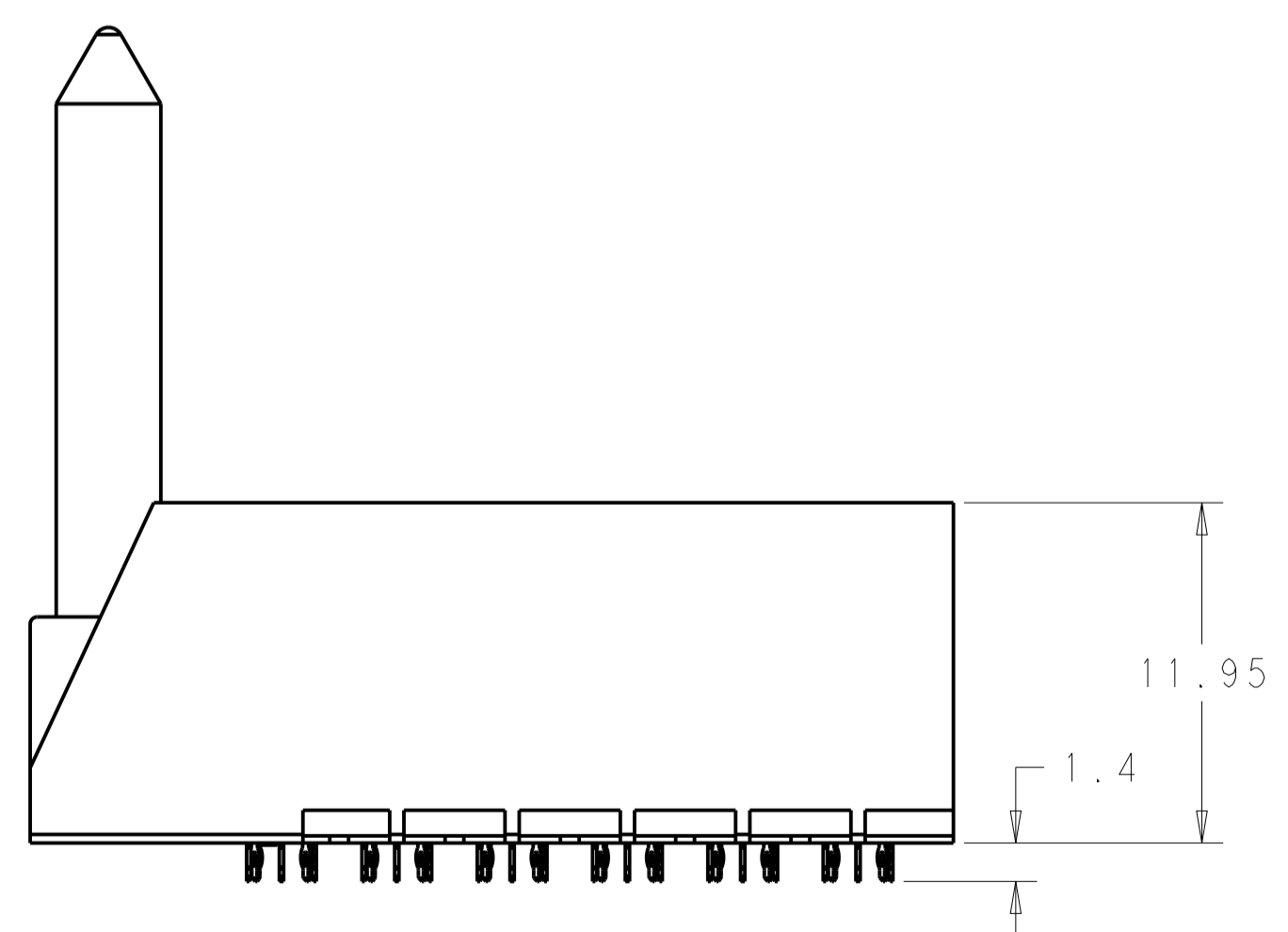
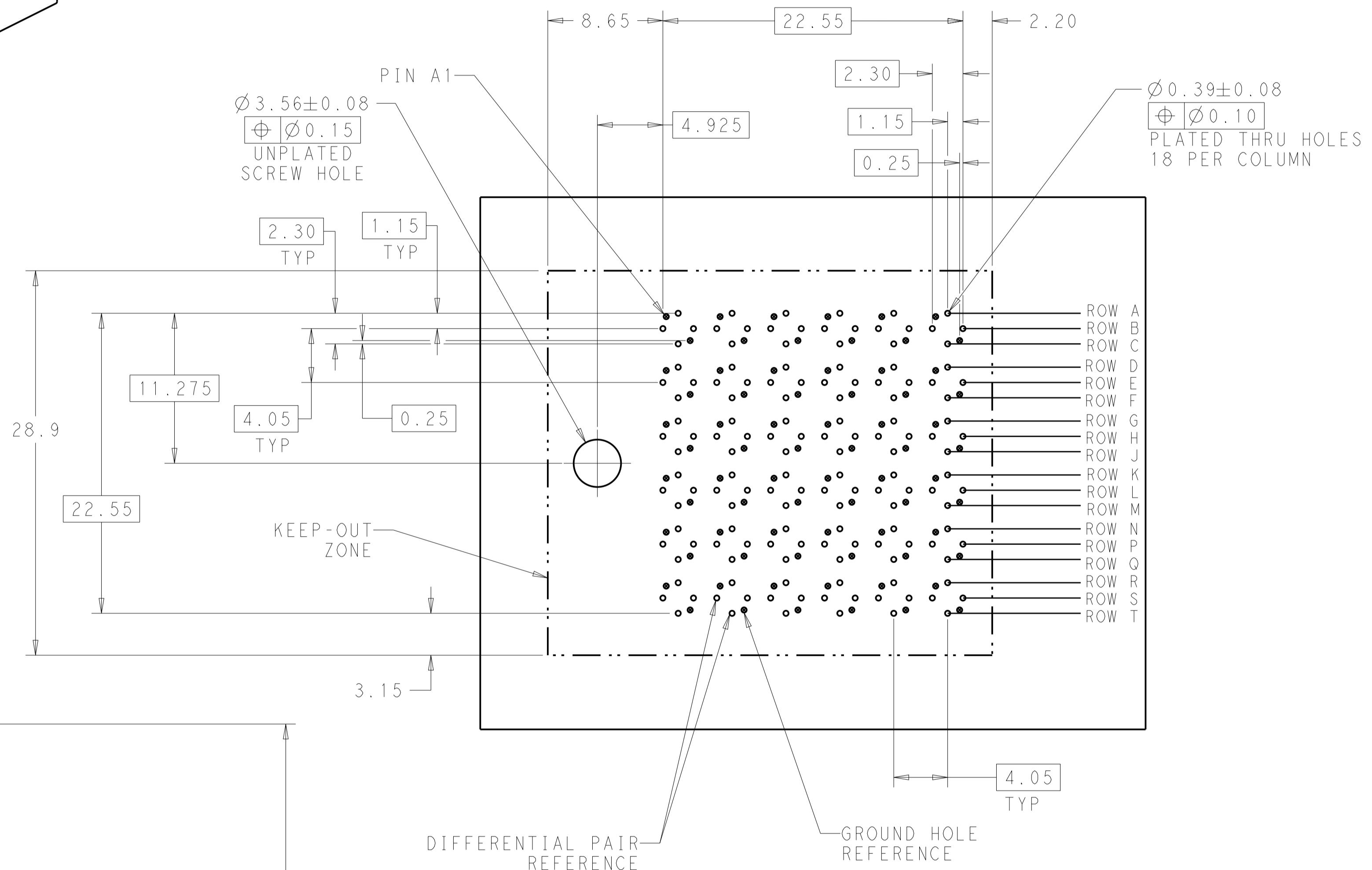


REVISIONS				
P.	LTN	DESCRIPTION	DATE	APVD
C		REVISED PER ECO-14-013273	04NOV2014	AP DD



- 1 MATERIAL:
HOUSING: LCP GLASS FILLED UL94V-0
TERMINALS: HIGH PERFORMANCE COPPER ALLOY
- 2 FINISH:
30μ" MIN GOLD IN CONTACT AREA
SELECTIVE TIN ON PCB TAILS.
NICKEL OVERALL.
- 3. SCREWS PACKAGED IN END OF PACKAGING TUBE



3.00 MIN BOARD THICKNESS

SECTION Z-Z

LEFT GUIDED BACKPLANE HOLE PATTERN (CONNECTOR SIDE) SCALE 4:1

2	5.5	2143266-2
2	4.9	2143266-1
FINISH	DIM M	PART NUMBER

THIS DRAWING IS A CONTROLLED DOCUMENT.		OWN J. K. SHOBER 13MAY2010	TE Connectivity
DIMENSIONS: mm		CHK J. EARY 13MAY2010	
TOLERANCES UNLESS OTHERWISE SPECIFIED:		APVD J. EARY 13MAY2010	
0 PLC ± 1 PLC ±0.25 2 PLC ±0.13 3 PLC ± 4 PLC ± ANGLES ±0		NAME IMPACT, 6 PAIR, 12 COLUMN, LEFT GUIDED RIGHT END WALL ASSEMBLY, ORTHOGONAL, 0.39 PTH	
MATERIAL	FINISH SEE TABLE	WEIGHT	SIZE CAGE CODE DRAWING NO. A100779C=2143266
CUSTOMER DRAWING		SCALE 4:1	SHEET 1 OF 1 REV C