

DETAILS

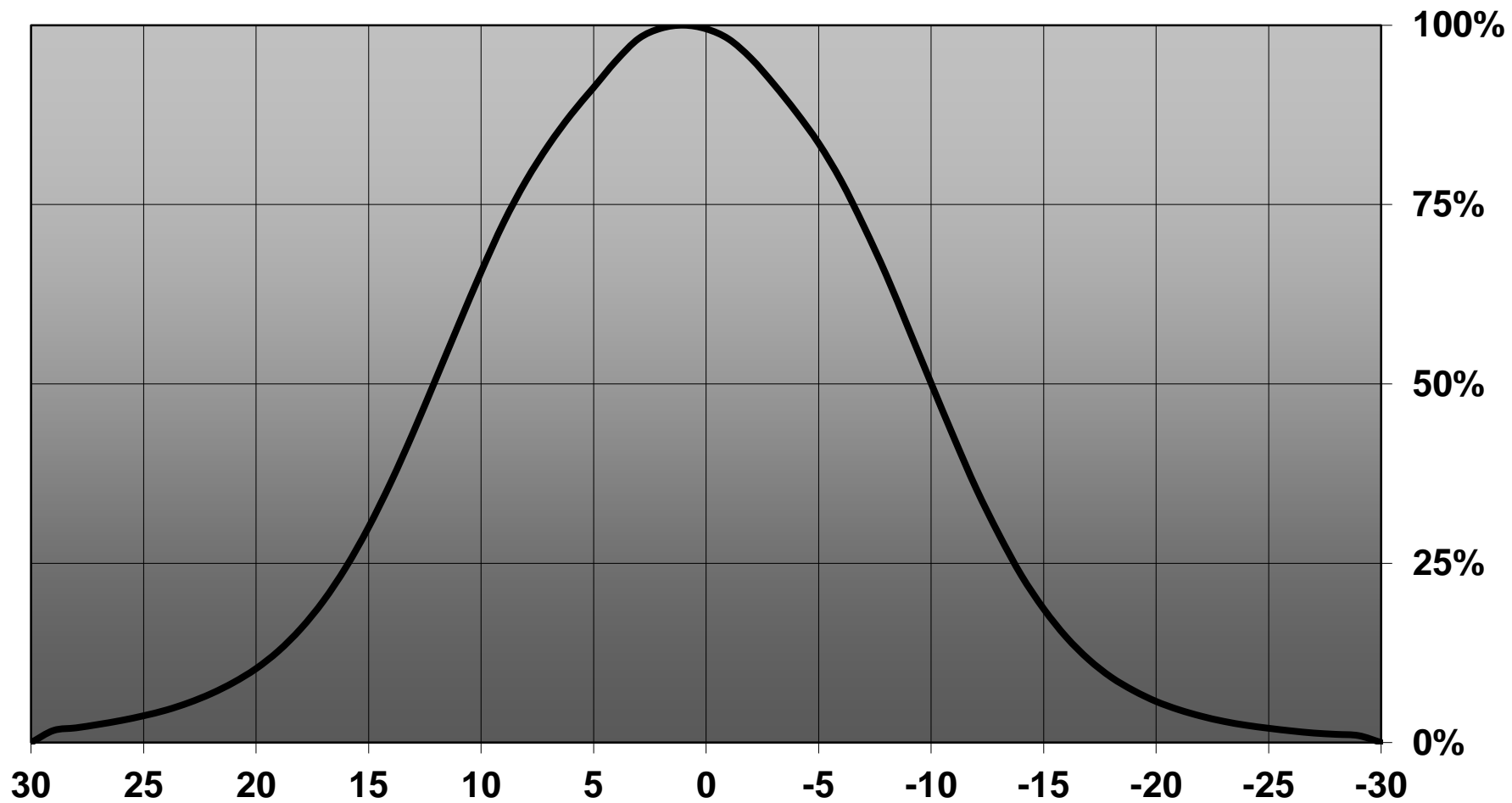
Product Number	CA12376_TINA2-SS
Family	Tina
Type	Assembly
Color	black
Diameter	16 mm
Height	9,26 mm
Style	round
Optic Material	PMMA
Holder Material	
Fastening	tape, pin
Status	production ready
ROHS Compliant	Yes
Date Updated	20/04/2016

OPTICAL PROPERTIES

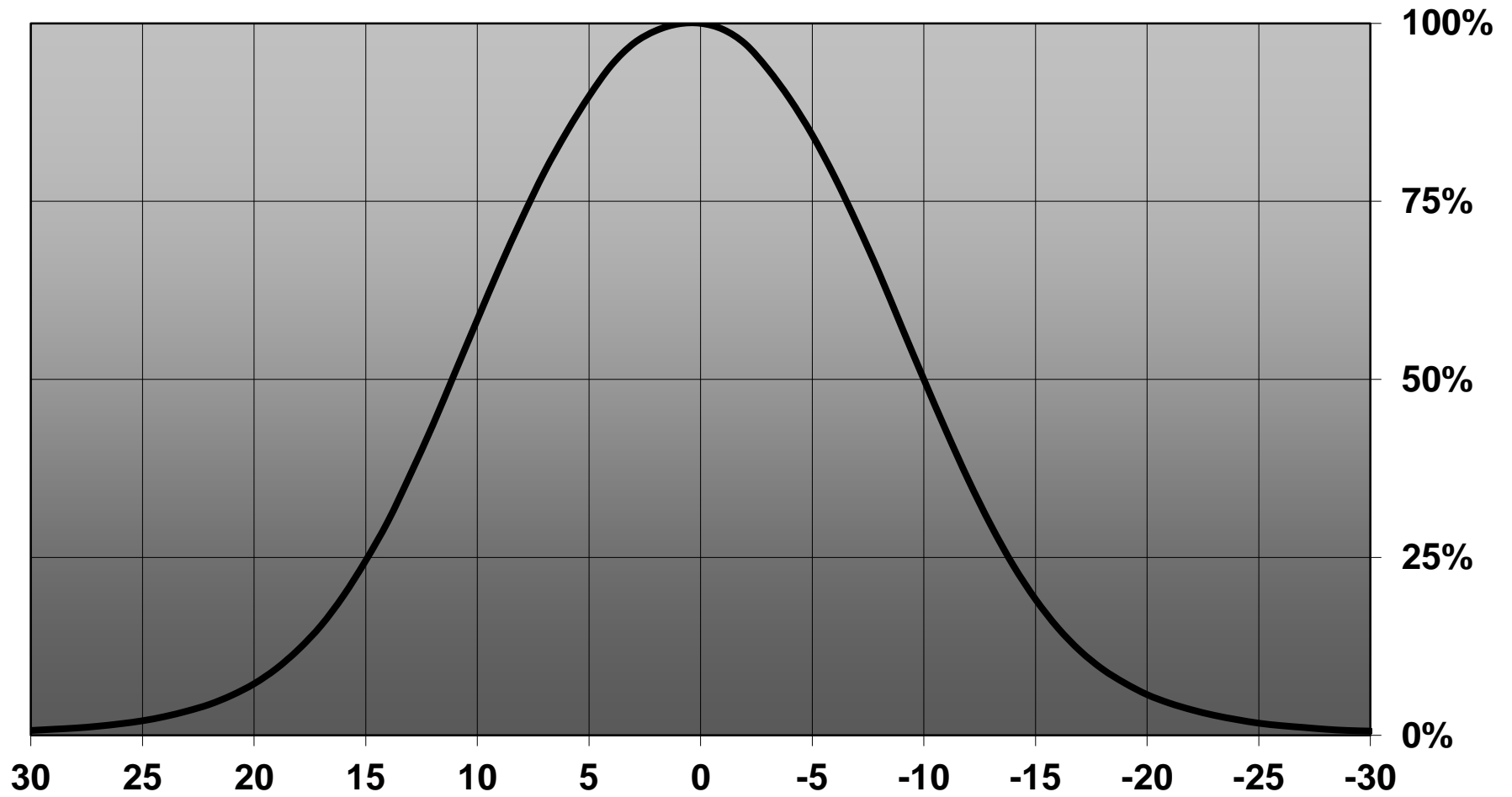
LED	Viewing	Light	Effi-	cd/lm	Connector
	Angle	Beam	ciency		
XB-H	22 deg	Smooth spo...	.87 %	4.800	-
XQ-E	22 deg	Smooth spo...	.85 %	6.200	-
LUXEON Z ES	21 deg	Smooth spo...	.88 %	6.900	-
LUXEON TX	22 deg	Smooth spo...	.89 %	5.120	-
LUXEON C	sim: 26	Smooth spo...	sim: 93 %	sim: 3.800	-
NWSx229A	26 deg	Smooth spo...	.86 %	3.100	-
NVSxx19B/NVSxx19C	22 deg	Smooth spo...	.88 %	4.500	-
SFH 4715S	sim: 23	Smooth spo...	sim: 92 %	sim: 6.860	-
Oslon Square EC	23 deg	Smooth spo...	.85 %	4.100	-
Oslon SSL 80	sim: 26	Smooth spo...	sim: 91 %	sim: 3.920	-
SFH 4725S	20 deg	Smooth spo...	-	-	-
Duris S5 (2 chip)	sim: 25	Smooth spo...	sim: 92 %	sim: 4.130	-
SFH 4770S	sim: 24	Smooth spo...	sim: 86 %	sim: 4.100	-



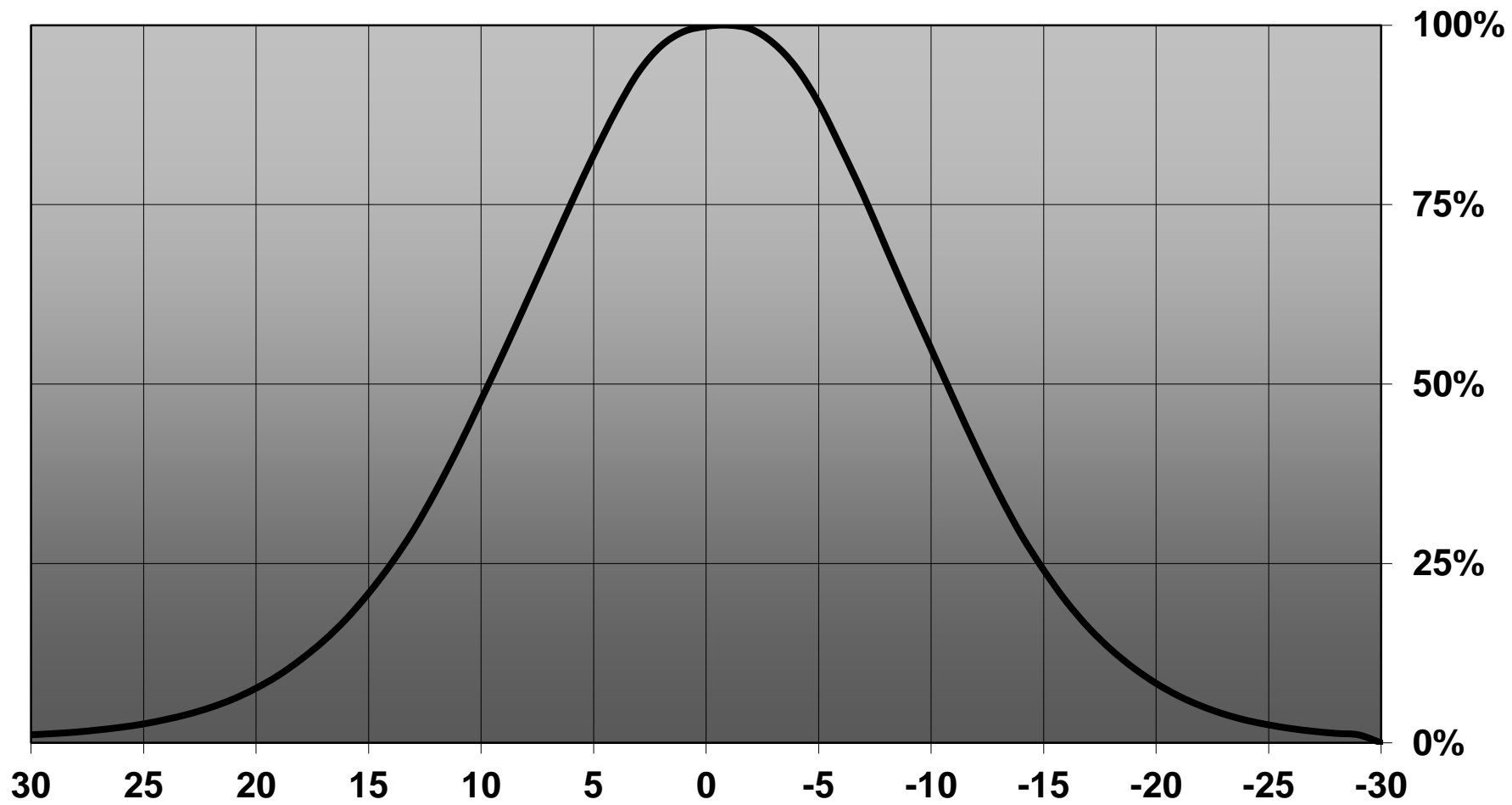
Relative intensity of CA12376_TINA2-SS_(XQ-E)



Relative intensity of CA12376_TINA2-SS_(Luxeon_Z_ES)



Relative intensity of CA12376_TINA2-SS_(SFH4725S)



D

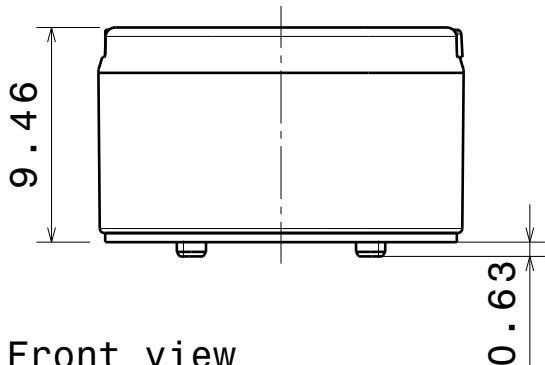
C

B

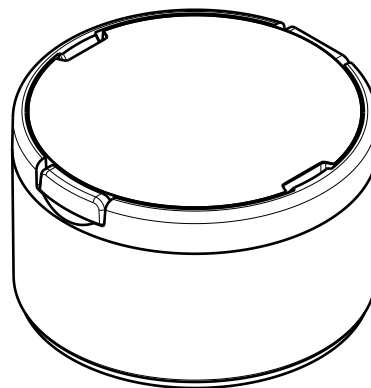
A

4

4



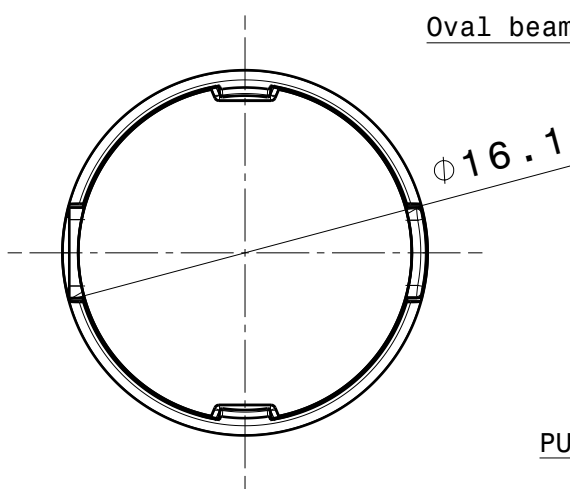
Front view



Isometric view
Scale: 3:1

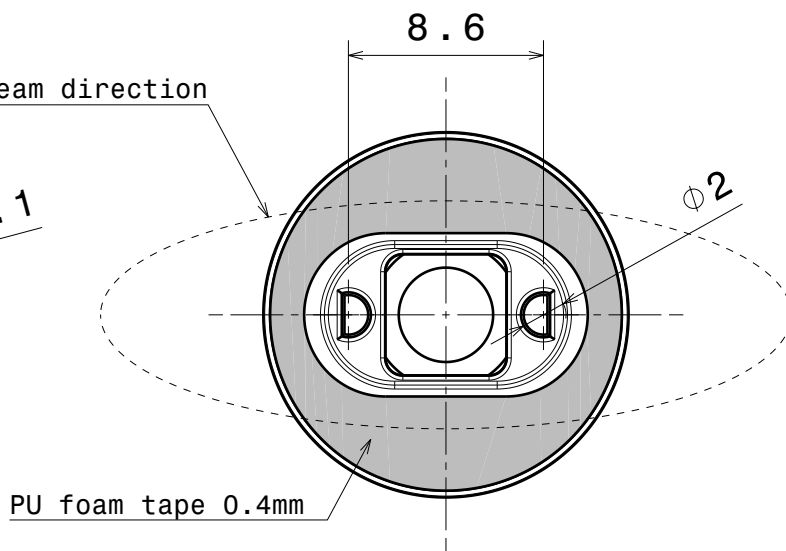
3

3



Top view

Oval beam direction



Bottom view

2

2

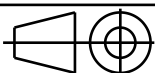
INDEX	PART NO	DESCRIPTION	MATERIAL	COLOUR
1	-	TINA2-lens	PMMA	
2	C12372	TINA2-HLD-BLK	PC	black

Tolerances if not otherwise shown
According to DIN ISO 2768-1
Linear measures:
Up to 30mm class M, otherwise class C.
According to DIN ISO 2768-2
Form and position: class L

LEDiL

Ledil Oy
Salorankatu 10
FIN 24240 SALO
Finland

THIRD ANGLE PROJECTION:



DRAWING TITLE

TINA2 series datasheet

This drawing is the property
of LEDiL Oy. It may not be
reproduced, copied or
communicated without a written
agreement with LEDiL Oy.

SIZE PART NUMBER

A4

-

SCALE 3:1 WEIGHT 1,3 g SHEET 1/1

1

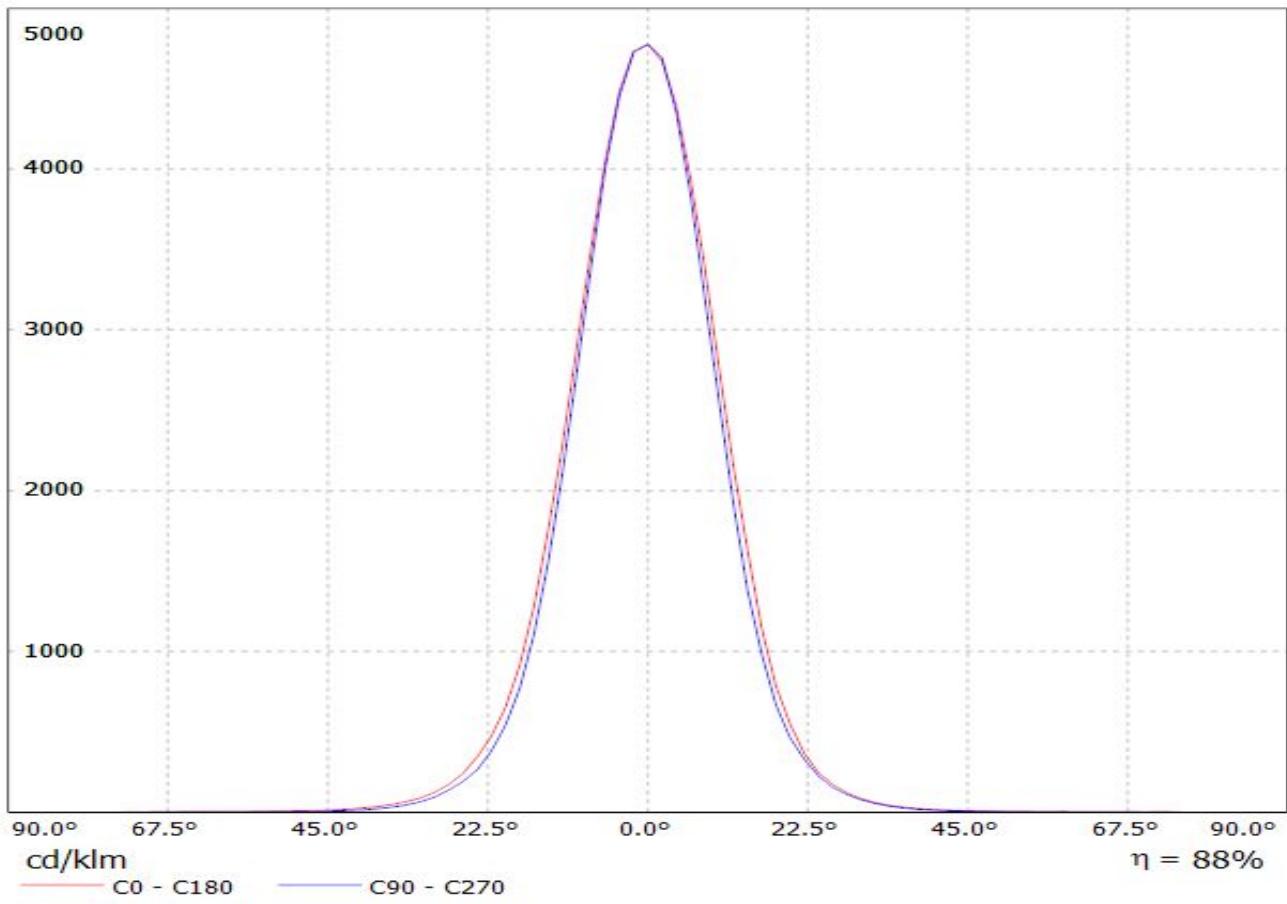
1

D

A

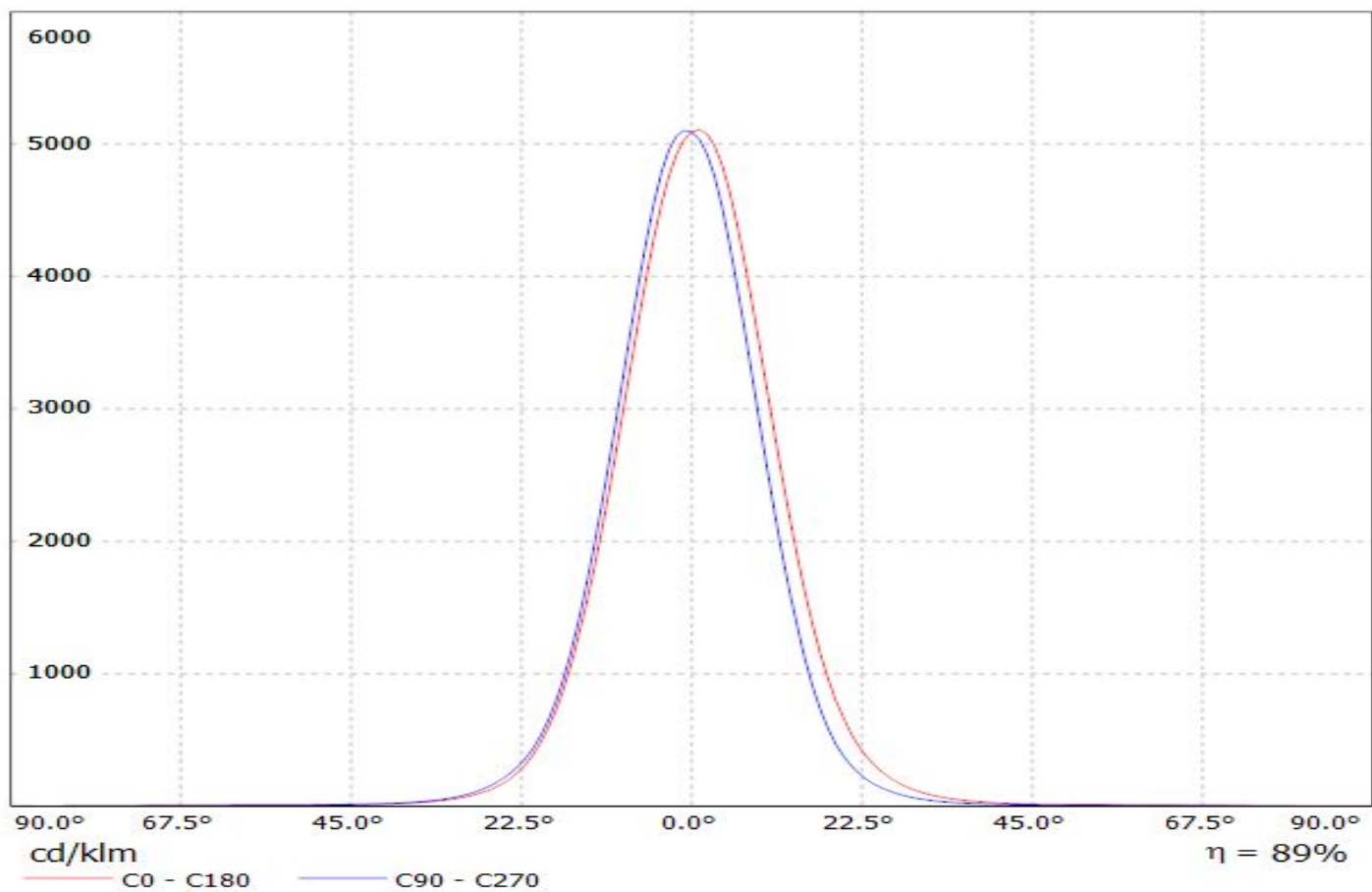
Luminaire: Ledil Oy CA12376_TINA2-SS_(XB-H)

Lamps: 1 x Cree XB-H (XBHAWT-0-3C0-T50-0B-0001) 106lm @ 250mA CCT= P=0.73W I=250mA



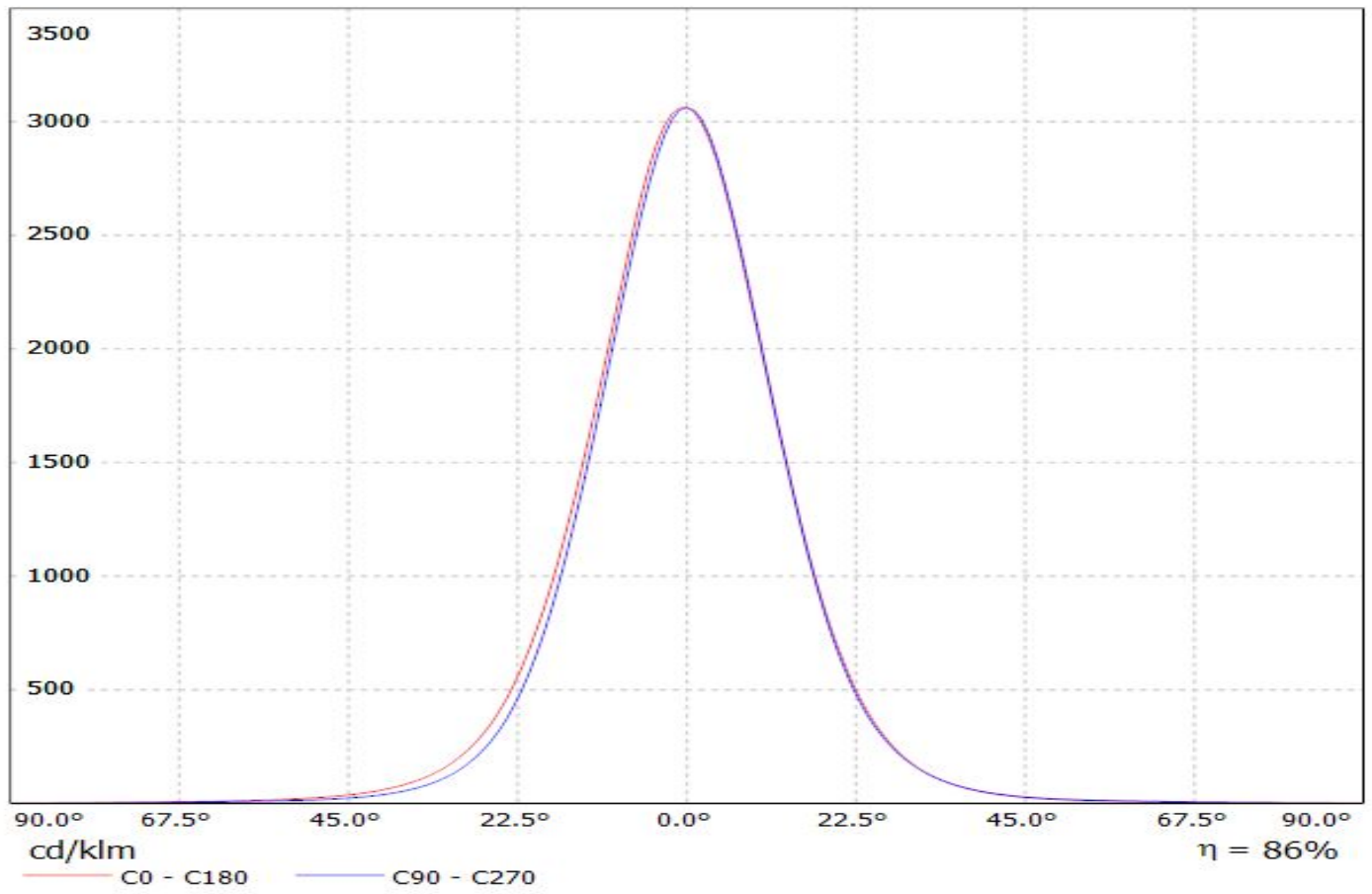
Luminaire: LEDiL Oy CA12376_TINA2-SS_(TX)

Lamps: 1 x Luxeon_TX_(L1T2-5770)_109.051lm@250mA_P=0.732157W_I=0.2499A

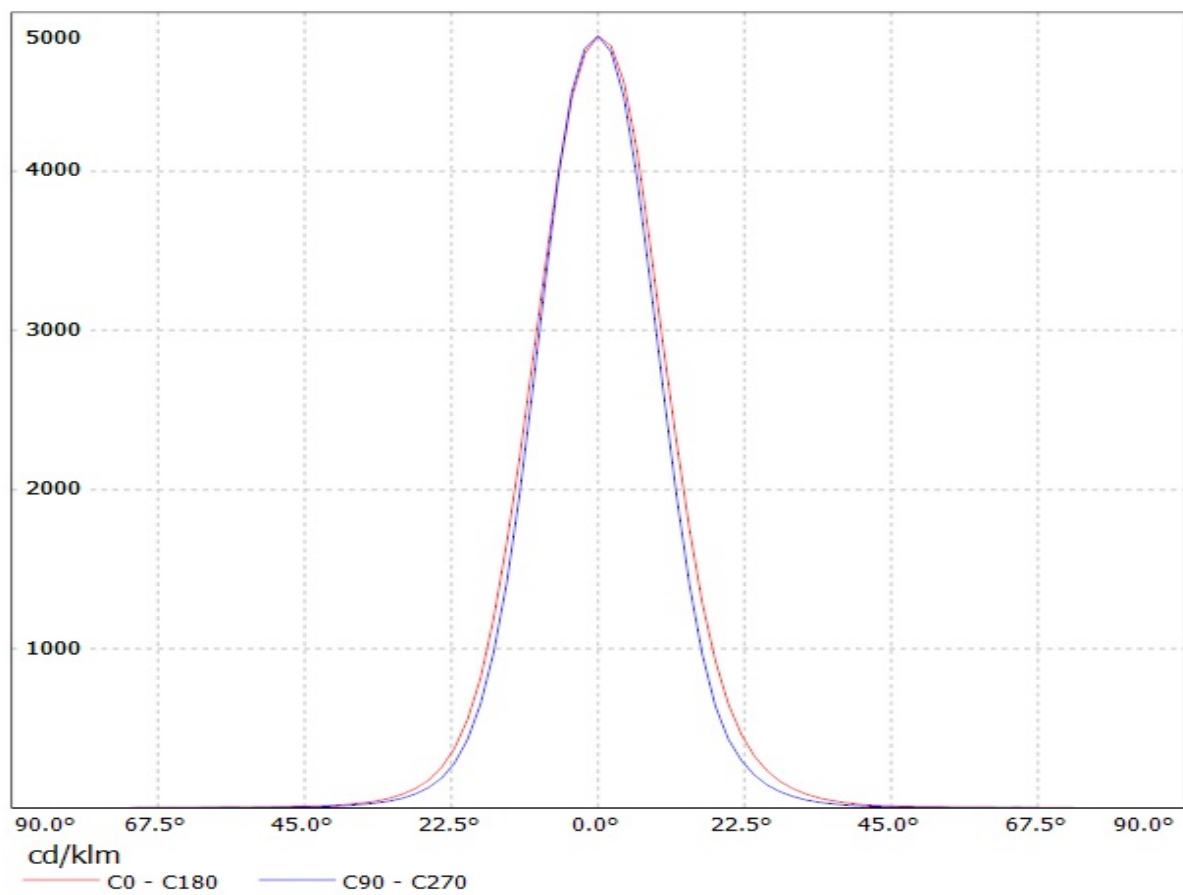


Luminaire: LEDiL Oy CA12376_TINA2-SS_(NWSL229AE)

Lamps: 1 x Nichia_NWSL229AE_120.54lm@250mA_P=0.7128W_I=0.250A

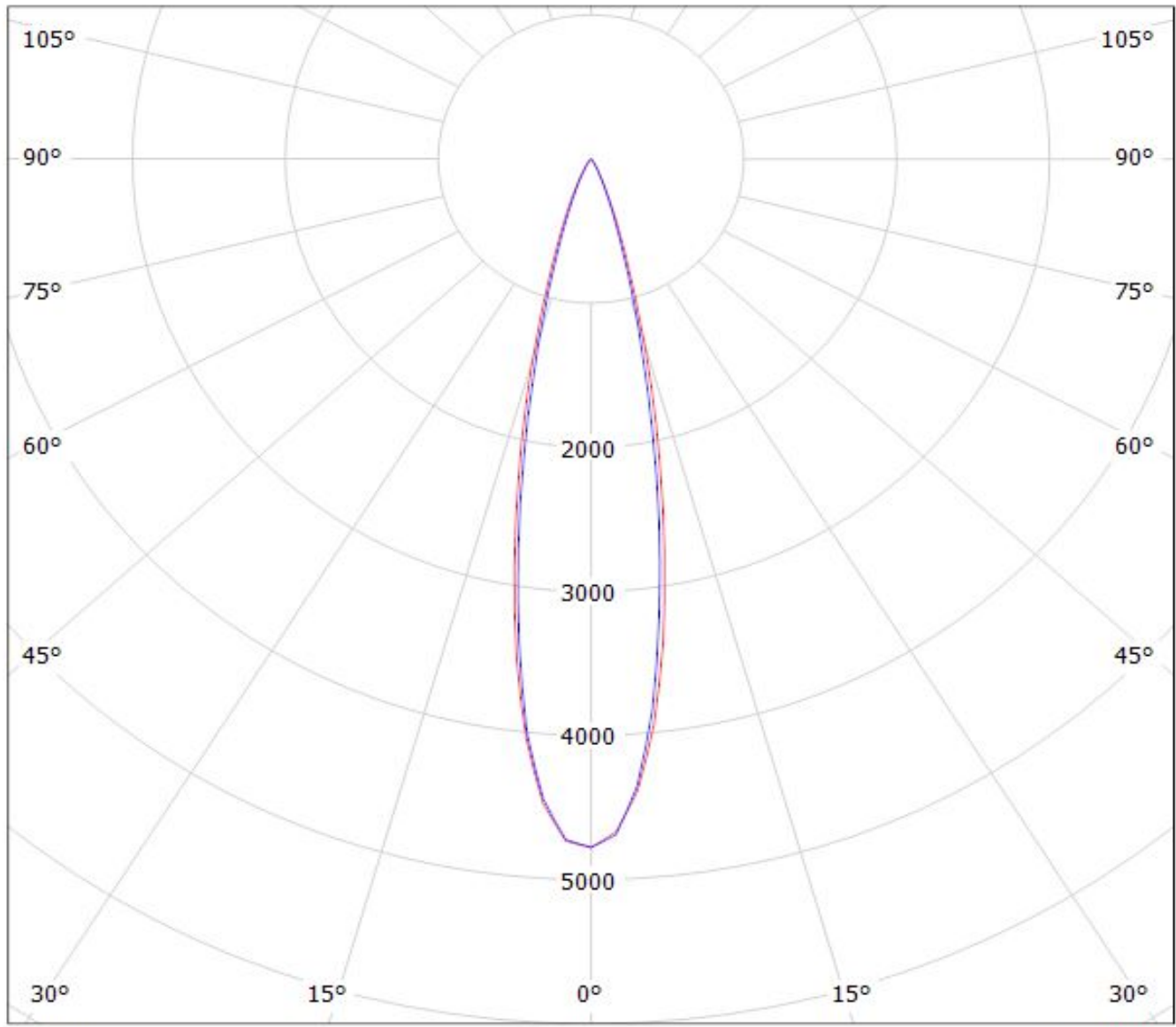


Luminaire: LEDil Oy CA12376_TINA2-SS_(Oslon_Square_EC) Efficiency=85%
Lamps: 1 x Osram Oslon Square EC (LCW CQAR-EC-MQMS-5R8T-35) 77.7lm @ 250mA CCT=3200K P=0.8W I=250mA



Luminaire: Ledil Oy CA12376_TINA2-SS_(XB-H)

Lamps: 1 x Cree XB-H (XBHAWT-0-3C0-T50-0B-0001) 106lm @ 250mA CCT= P=0.73W I=250mA



cd/klm

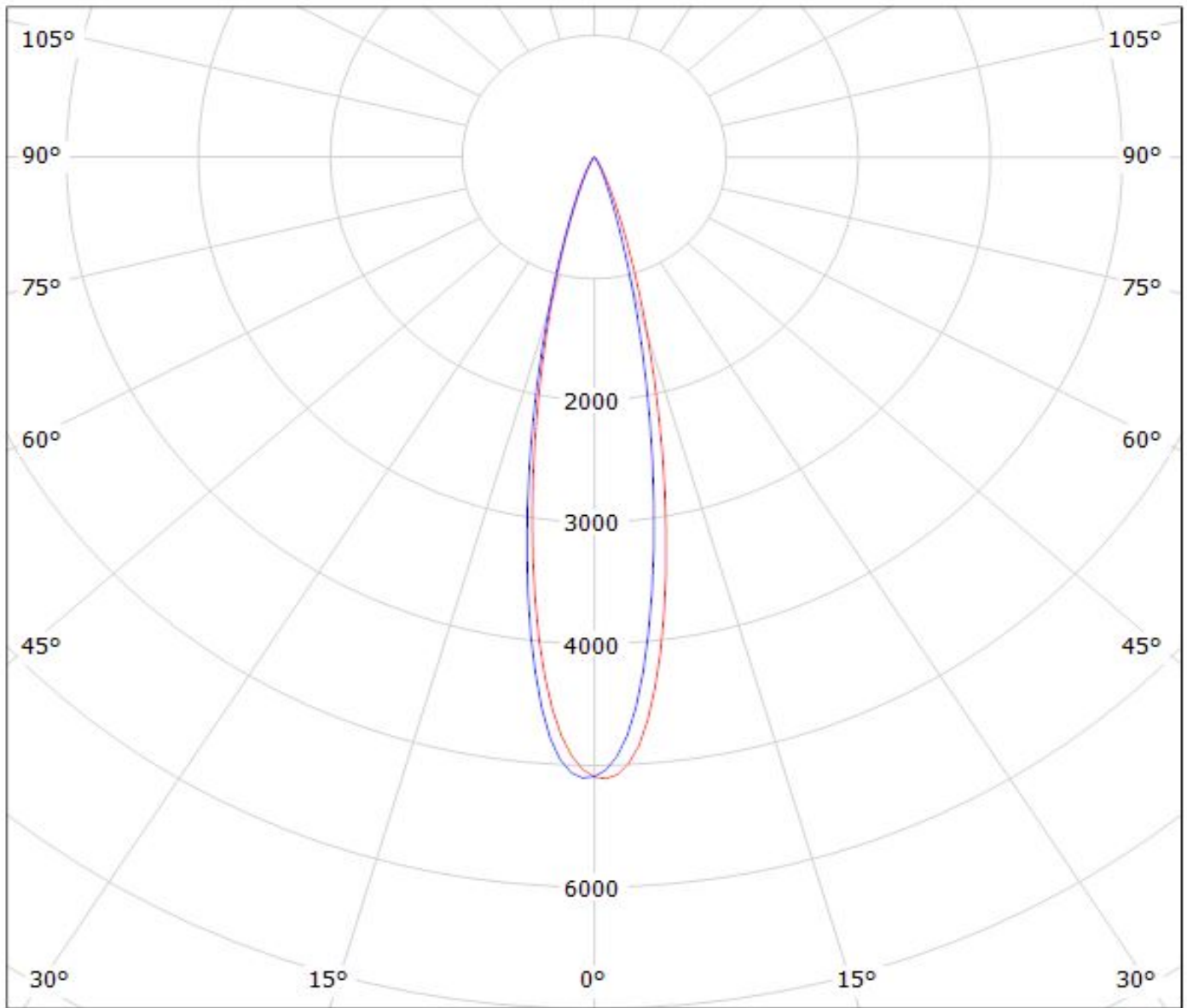
— C0 - C180

— C90 - C270

$\eta = 88\%$

Luminaire: LEDiL Oy CA12376_TINA2-SS_(TX)

Lamps: 1 x Luxeon_TX_(L1T2-5770)_109.051lm@250mA_P=0.732157W_I=0.2499A



cd/klm

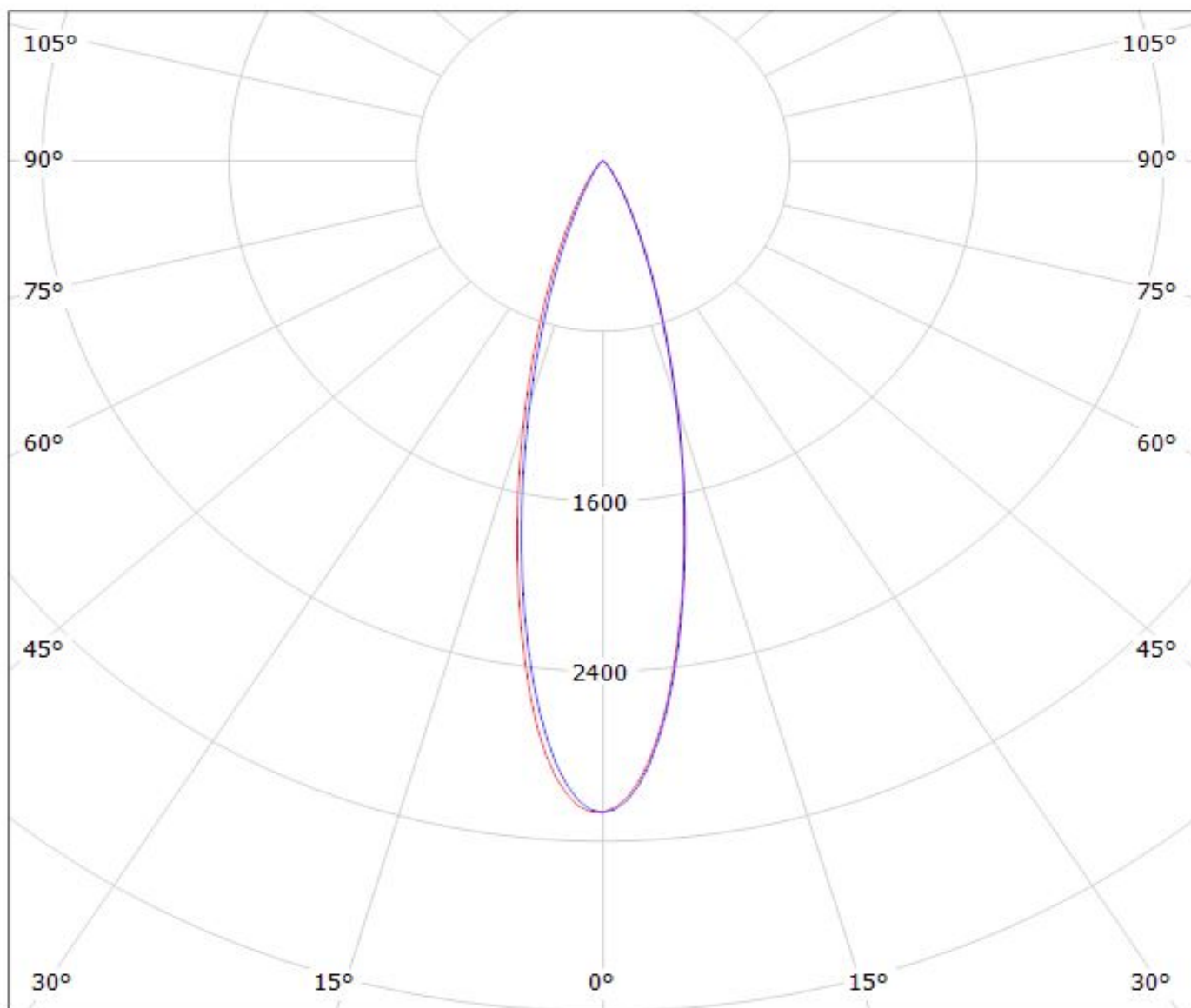
— C0 - C180

— C90 - C270

$\eta = 89\%$

Luminaire: LEDiL Oy CA12376_TINA2-SS_(NWSL229AE)

Lamps: 1 x Nichia_NWSL229AE_120.54lm@250mA_P=0.7128W_I=0.250A



cd/klm

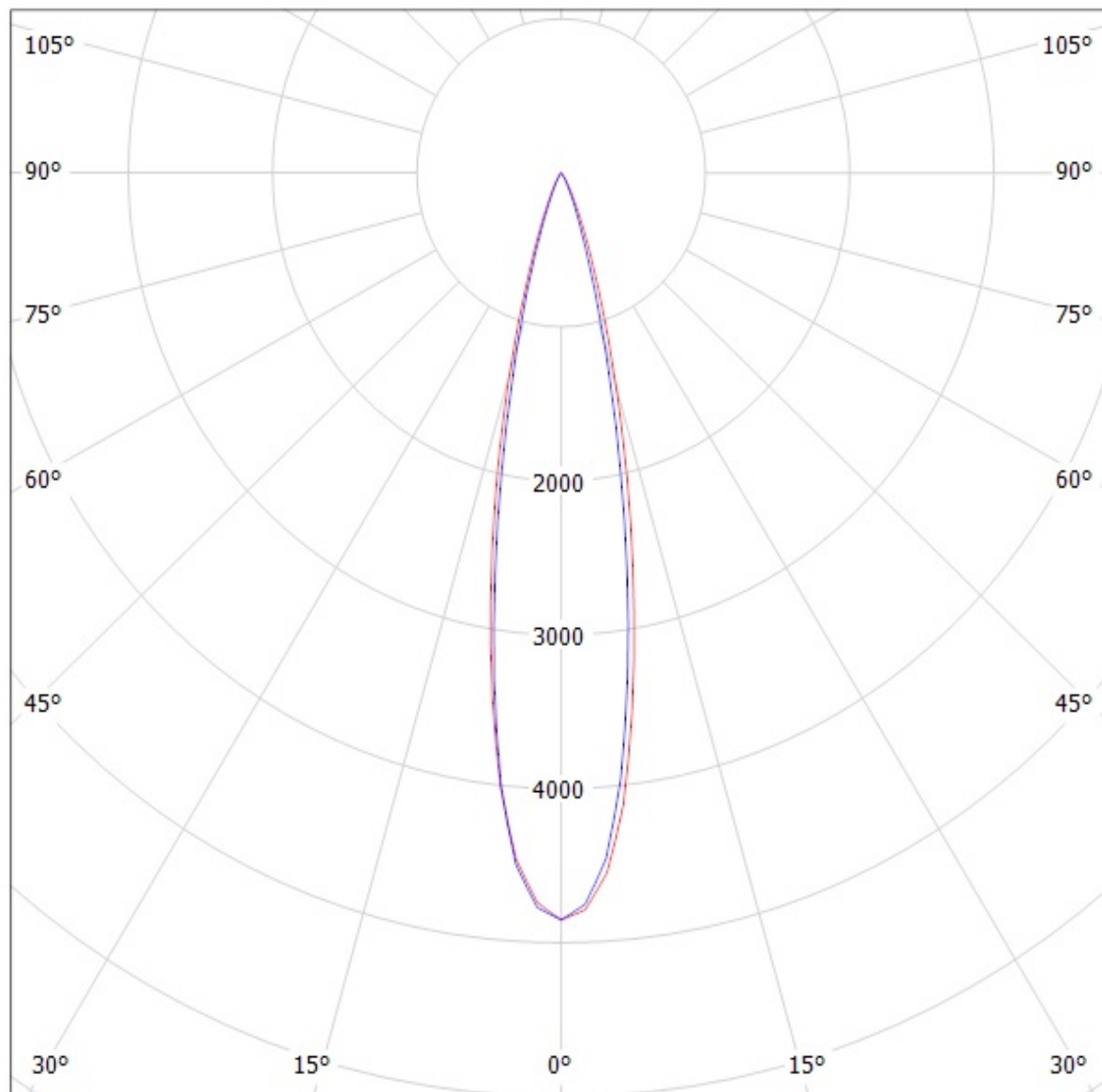
— C0 - C180

— C90 - C270

$\eta = 86\%$

Luminaire: LEDil Oy CA12376_TINA2-SS_(Oslon_Square_EC) Efficiency=85%

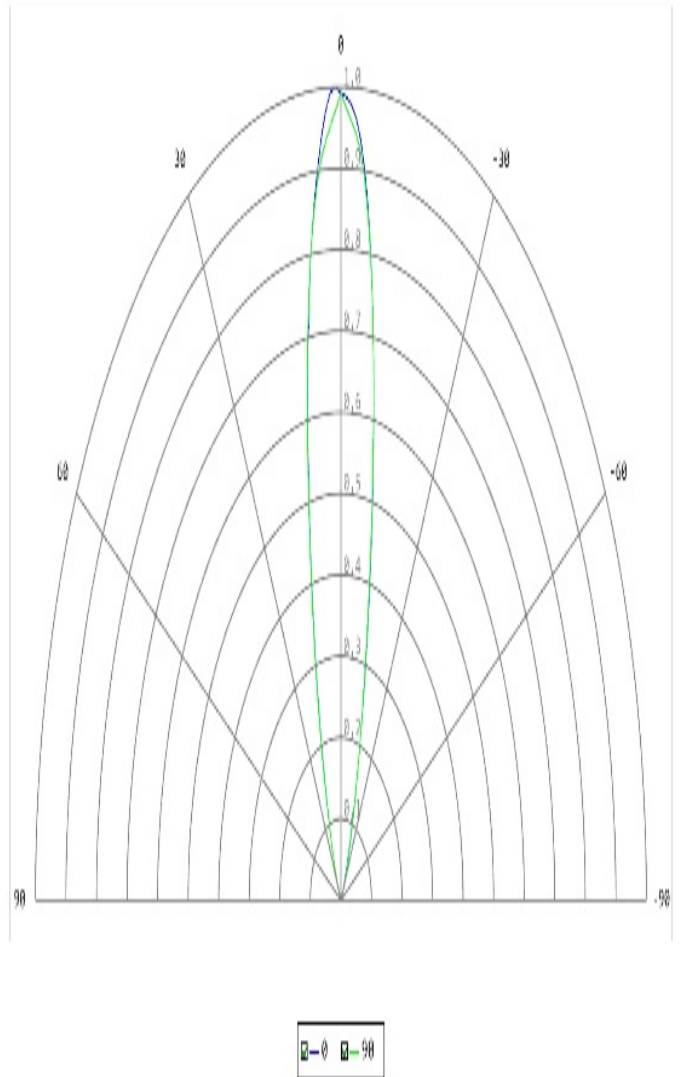
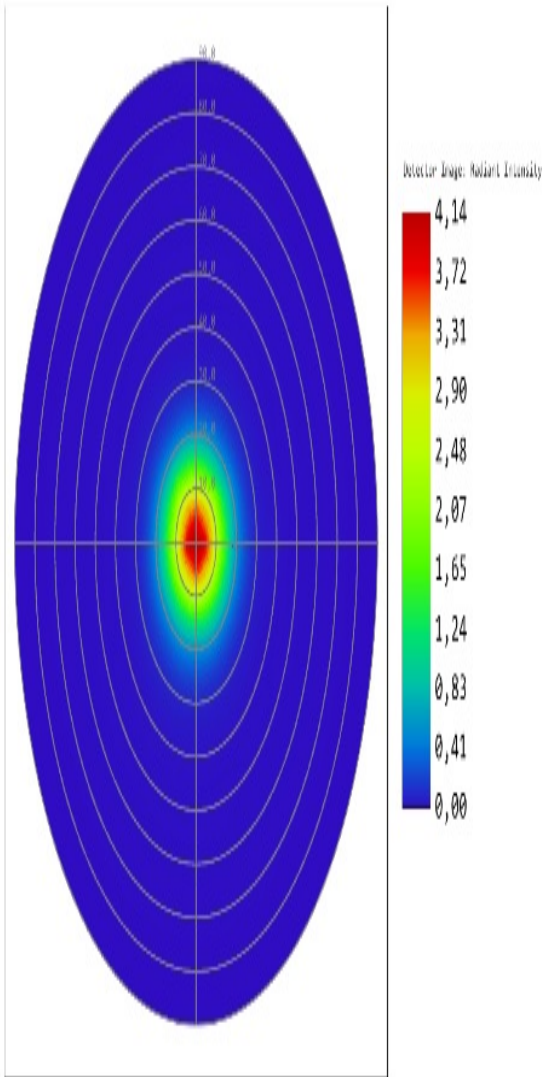
Lamps: 1 x Osram Oslon Square EC (LCW CQAR-EC-MQMS-5R8T-35) 77.7lm @ 250mA CCT=3200K P=0.8W I=250mA



cd/klm

— C0 - C180

— C90 - C270



Detector Image: Radiant Intensity

14.4.2016
 Detector 5, NSCG Surface 1:
 Max polar angle: 90,00 deg, Total Hits = 862639
 Peak Intensity : 4,137E+000 Watts/Steradian
 Total Power : 8,626E-001 Watts

Zemax
 Zemax OpticStudio 15.5 SP2

C412376_T11A2-SS (SPH 47785) SIMULATED.zmx
 Configuration 1 of 1

Detector Image: Radiant Intensity

14.4.2016
 Detector 5, NSCG Surface 1:
 Scan Angles: 0, 90
 Peak Intensity : 4,137E+000 Watts/Steradian

Zemax
 Zemax OpticStudio 15.5 SP2

C412376_T11A2-SS (SPH 47785) SIMULATED.zmx
 Configuration 1 of 1

NOTE: The typical divergence will be changed by different color, chip size and chip position tolerance. The typical total divergence is the full angle measured where the luminous intensity is half of the peak value.