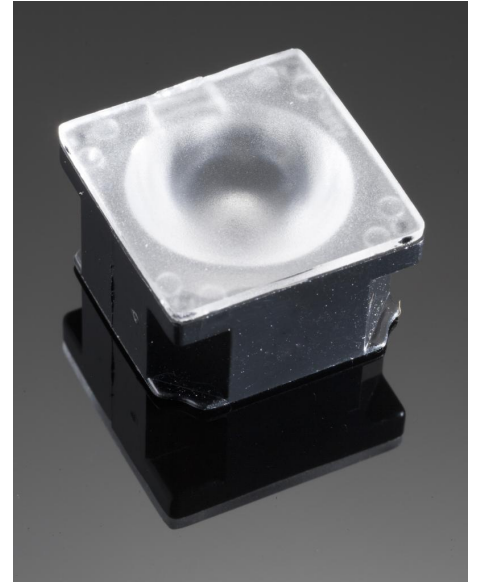


DETAILS

Product Number	CA12570_LAURA-W
Family	Laura
Type	Assembly
Color	black
Diameter	21,6 x 21,6 mm
Height	12,9 mm
Style	square
Optic Material	PMMA
Holder Material	
Fastening	tape
Status	production ready
ROHS Compliant	Yes
Date Updated	24/06/2013



OPTICAL PROPERTIES

LED	Viewing Angle	Light Beam	Efficiency	cd/lm	Connector
NCSxx19A	40 deg	Wide	83 %	-	-
NVSxx19A	43 deg	Wide	87 %	-	-

D

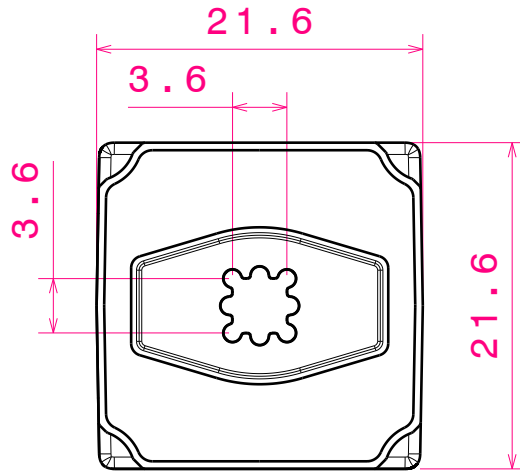
C

B

A

4

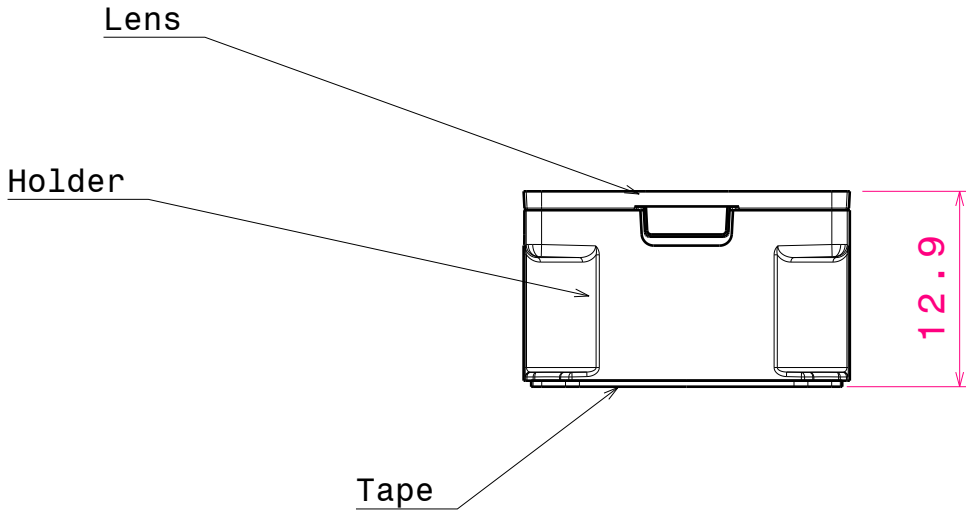
4



Bottom view

3

3



Front view

2

2

Materials
 lens: PMMA
 holder: PC, black
 Tape: PU Foam

1

1

This drawing is our property.
 It can't be reproduced
 or communicated without
 our written agreement.



L
T
F
F

e
e
i
i
N
n

d
h

DRAWING TITLE

Datasheet Assy Laura-N19-tape

DRAWN BY

DATE

p

12.08.2010

CHECKED BY

DATE

t

k

04.06.2010

DESIGNED BY

DATE

hh

15.04.2010

SIZE

A4

DRAWING NUMBER

-

REV

1

SCALE

2:1

WEIGHT (g)

SHEET

1/1

D

A

NOTE: The typical divergence will be changed by different color, chip size and chip position tolerance. The typical total divergence is the full angle measured where the luminous intensity is half of the peak value.