



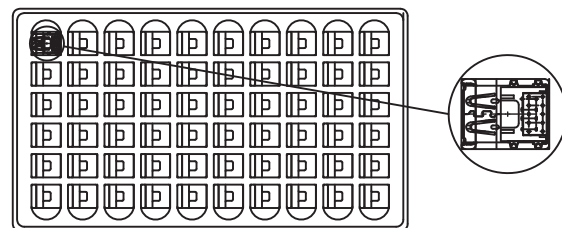
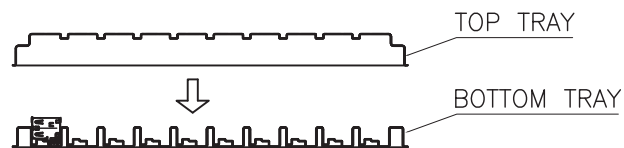
1

2

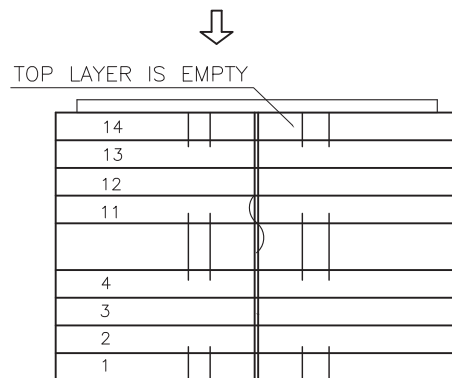
3

4

5



60PCS/TRAY.26TRAY/CARTON  
(1560PCS/CARTON)

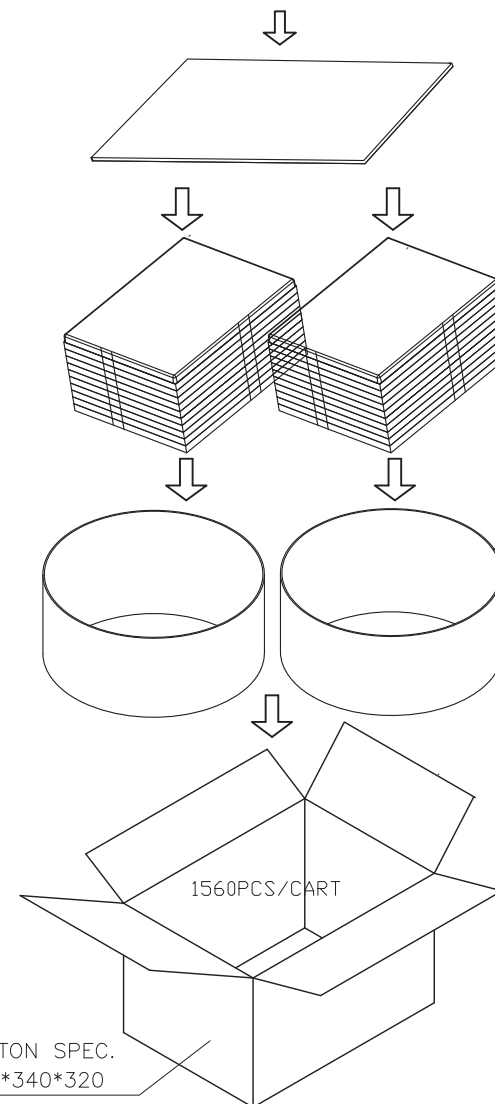


13 TRAY 780 PCS

NOTES

1. MATERIALS: PVC
2. PACKING:60PCS/TRAY,1560PCS/CARTON

All Material in According With The Rohs Environment  
Related Substances List Controlled.



RoHS Compliant

PROJECTION:



APPROVAL: NPr

GENERAL TOLERANCE

.X =  $\pm$  0.2

.XX =  $\pm$  0.15

UNIT: MM

SCALE:

SHEET: 2/3

DRAW: AS



WÜRTH ELEKTRONIK

DESCRIPTION: WR-COM - USB 3.0 STACKED TYPE A

WERI PART NO: 692 141 030 100

SIZE

**A4**

G							
F							
E							
D							
C							
B							
A	02-APR-10	PACKAGING	JP				
REV	DATE	FILE	BY				

1

2

3

4

5

## Cautions and Warnings:

This electronic component is designed and developed with the intention for use in general electronics equipments.

Before incorporating the components into any equipments in the field such as aerospace, aviation, nuclear control, submarine, transportation, (automotive control, train control, ship control), transportation signal, disaster prevention, medical, public information network etc. where higher safety and reliability are especially required or if there is possibility of direct damage or injury to human body, Würth Elektronik must be asked for a written approval.

In addition, even electronic component in general electronic equipments, when used in electrical circuits that require high safety, reliability functions or performance, the sufficient reliability evaluation-check for the safety must be performed before by the user before usage.

A

B

C

RoHS Compliant

G				PROJECTION: 	GENERAL TOLERANCE .X = +/- 0.2 .XX = +/- 0.15		
F							
E							
D							
C				APPROVAL: JC	UNIT: MM	DESCRIPTION: DISCLAIMER	SIZE <b>A4</b>
B					SCALE:		
A	10-SEP-14	PDF	QL		SHEET: 3/3	WERI PART NO: DISCLAIMER	
REV	DATE	FILE	BY		DRAW: QL		

D