

PRODUCT DATASHEET

Tina series

last update 22/11/2013

**Product number CA11847_TINA2-RS**

Family	Tina	FWHM	10 degrees
Type	Assembly	Efficiency	93 %
LED	Golden Dragon+	cd/lm	18.000
Color	White	Gerber File	Available
Diameter	16.1 mm		
Height	10.1 mm		
Style	Round		
Optic Material	PMMA		
Holder Material	-		
Fastening	["tape"]		
Status	Production ready		

**Product number CA12046_TINA2-D**

Family	Tina	FWHM	10 degrees
Type	Assembly	Efficiency	90 %
LED	Golden Dragon+	cd/lm	12.500
Color	White	Gerber File	Available
Diameter	16.1 mm		
Height	10.1 mm		
Style	Round		
Optic Material	PMMA		
Holder Material	-		
Fastening	["tape"]		
Status	Production ready		

**Product number CA11848_TINA2-M**

Family	Tina	FWHM	24 degrees
Type	Assembly	Efficiency	91 %
LED	Golden Dragon+	cd/lm	3.390
Color	White	Gerber File	Available
Diameter	16.1 mm		
Height	10.1 mm		
Style	Round		
Optic Material	PMMA		
Holder Material	-		
Fastening	["tape"]		
Status	Production ready		

**Product number CA12047_TINA2-O**

Family	Tina	FWHM	36+12 degrees
Type	Assembly	Efficiency	89 %
LED	Golden Dragon+	cd/lm	5.300
Color	White	Gerber File	Available
Diameter	16.1 mm		
Height	10.12 mm		
Style	Round		
Optic Material	PMMA		
Holder Material	-		
Fastening	["tape"]		
Status	Production ready		

PRODUCT DATASHEET
Tina series

last update 22/11/2013

**Product number** C10449_TINA-W

Family	Tina	FWHM	71 degrees
Type	Lens	Efficiency	89 %
LED	Golden Dragon+	cd/lm	0.550
Color	Clear	Gerber File	Available
Diameter	16.0 mm		
Height	8.6 mm		
Style	Round		
Optic Material	PMMA		
Holder Material	-		
Fastening	["glue"]		
Status	Production ready		

NOTE: The typical divergence will be changed by different color, chip size and chip position tolerance. The typical total divergence is the full angle measured where the luminous intensity is half of the peak value.



PRODUCT DATASHEET

Tina series

last update 22/11/2013

GENERAL INFORMATION

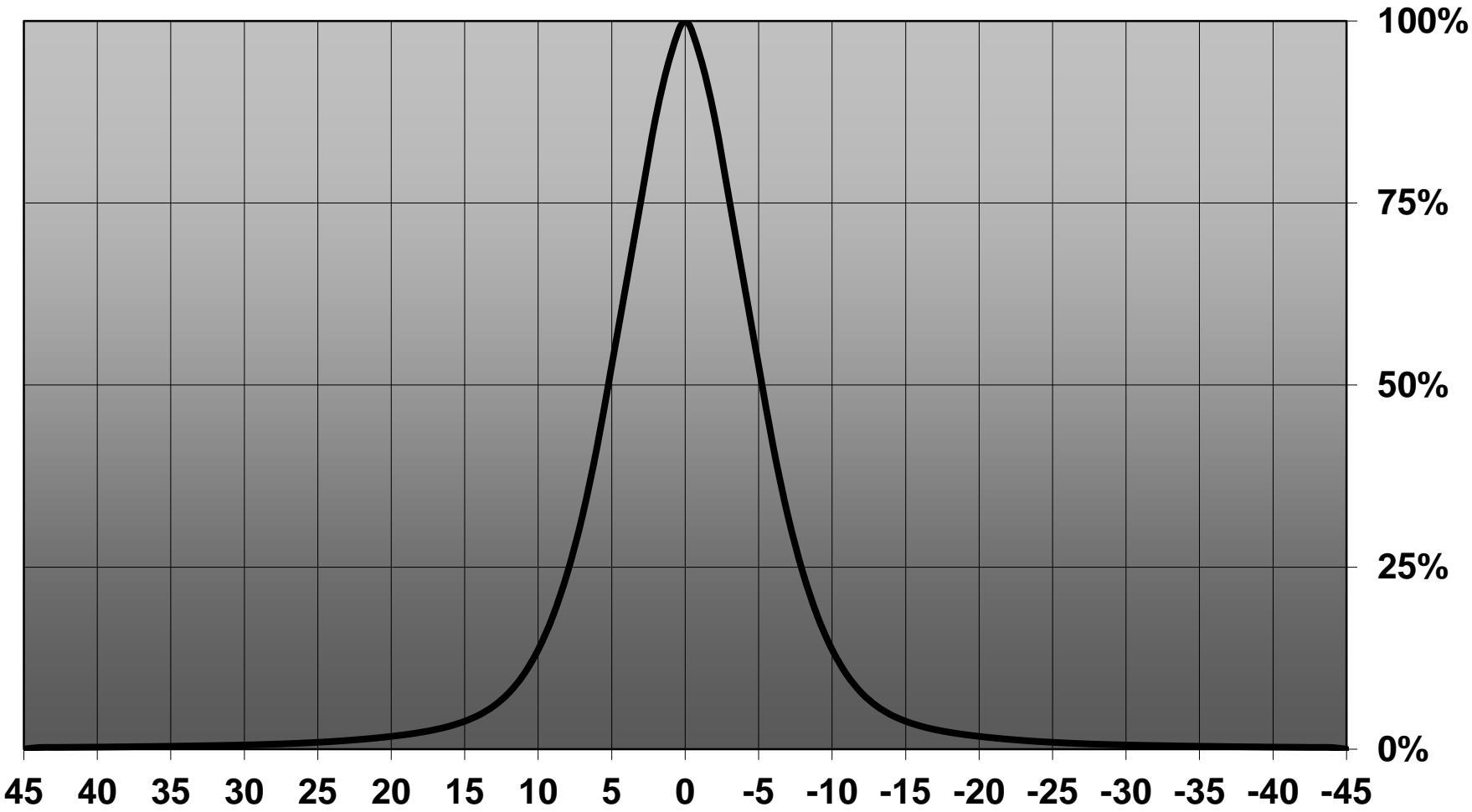
- Product series especially designed & optimized for Golden Dragon+ series of LEDs.
- Special care taken to make light distribution as uniform as possible.
- Lens material optical grade PMMA with high UV and temperature resistance. Allows use of high current and temperature conditions.

Please find more information about used material from below:

http://ledil.fi/sites/default/files/Documents/Technical/Material/PMMA%20N%20UL94_Yellow%20Card.pdf

<http://ledil.fi/sites/default/files/Documents/Technical/Material/PMMA%20N%20PLEXIGLAS-Datasheet.pdf>

Relative intensity of C12044_TINA2-O-PLUS-D



D

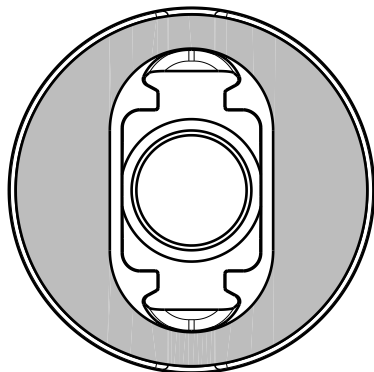
C

B

A

4

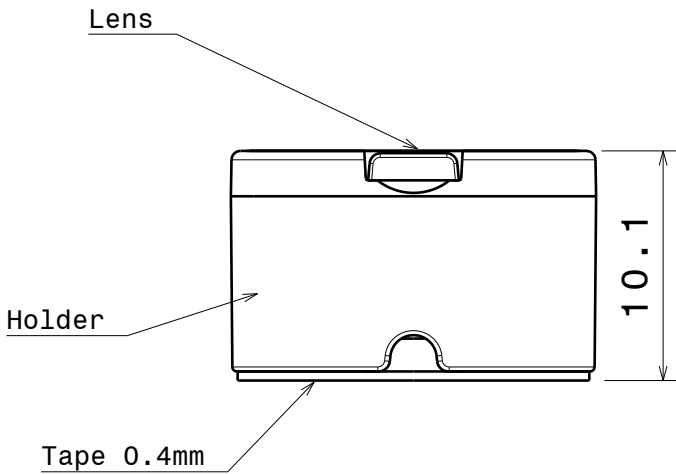
4



Bottom view

3

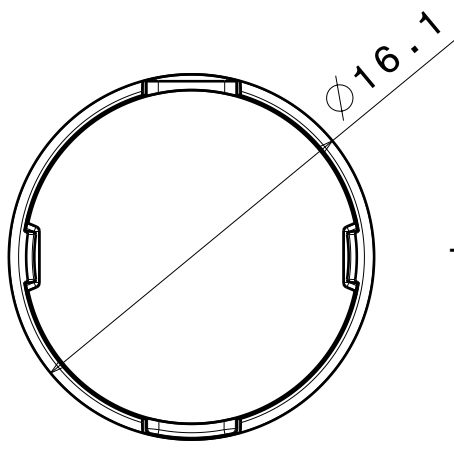
3



Front view

2

2



Top view

MATERIALS
 Lens: PMMA
 Holder: PC
 Tape: PU Foam

This drawing is our property.
 It can't be reproduced
 or communicated without
 our written agreement.



L T F e
 e l i N
 i n

DRAWING TITLE

Datasheet Tina2-0-Plus Assy

DRAWN BY
m

DATE
29.04.2011

CHECKED BY
t k

DATE
29.04.2011

SIZE
A4

DRAWING NUMBER

REV
2

DESIGNED BY
HH

DATE
01.01.2011

SCALE 3:1

WEIGHT (g) -

SHEET 1/1

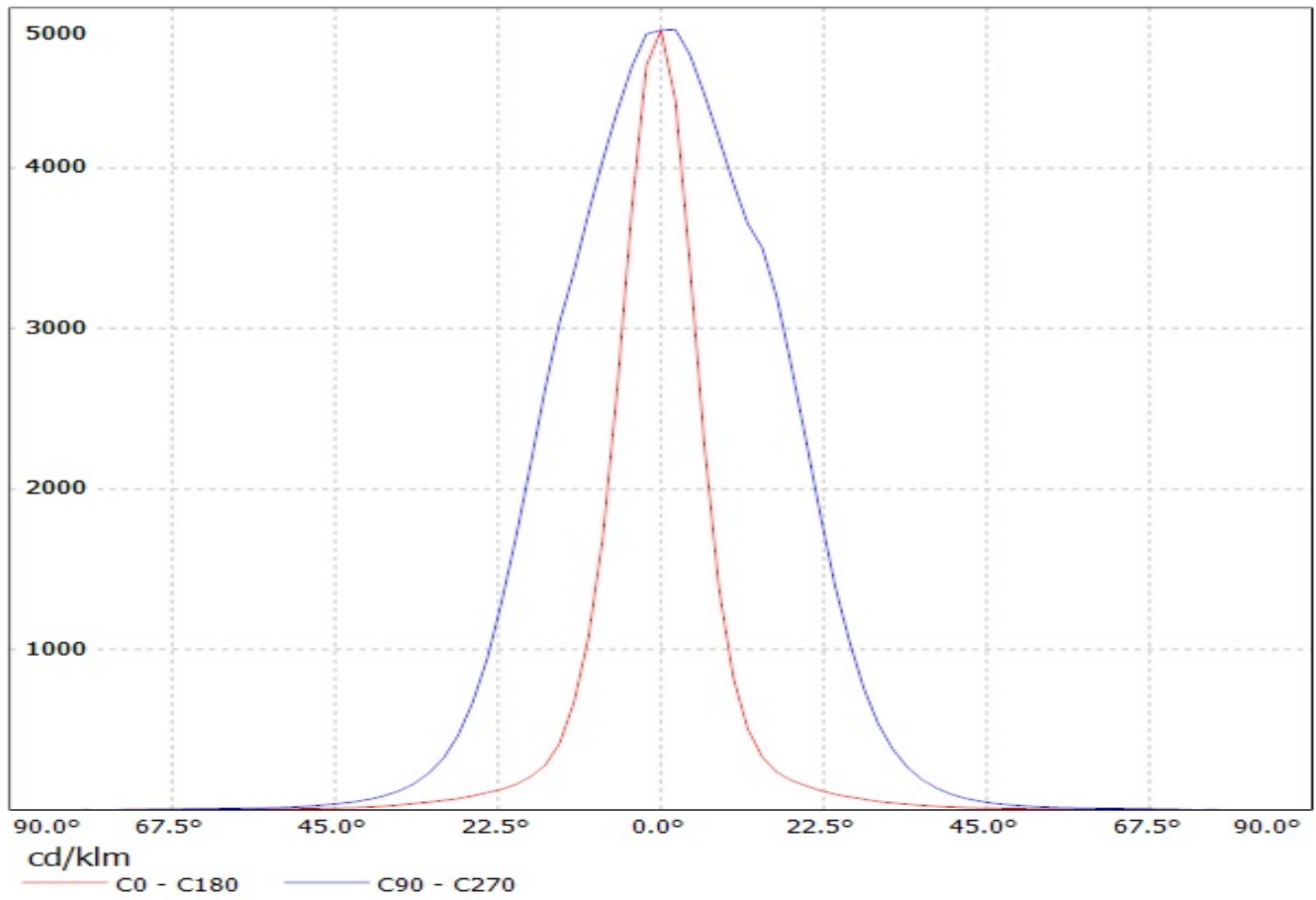
D

A

1

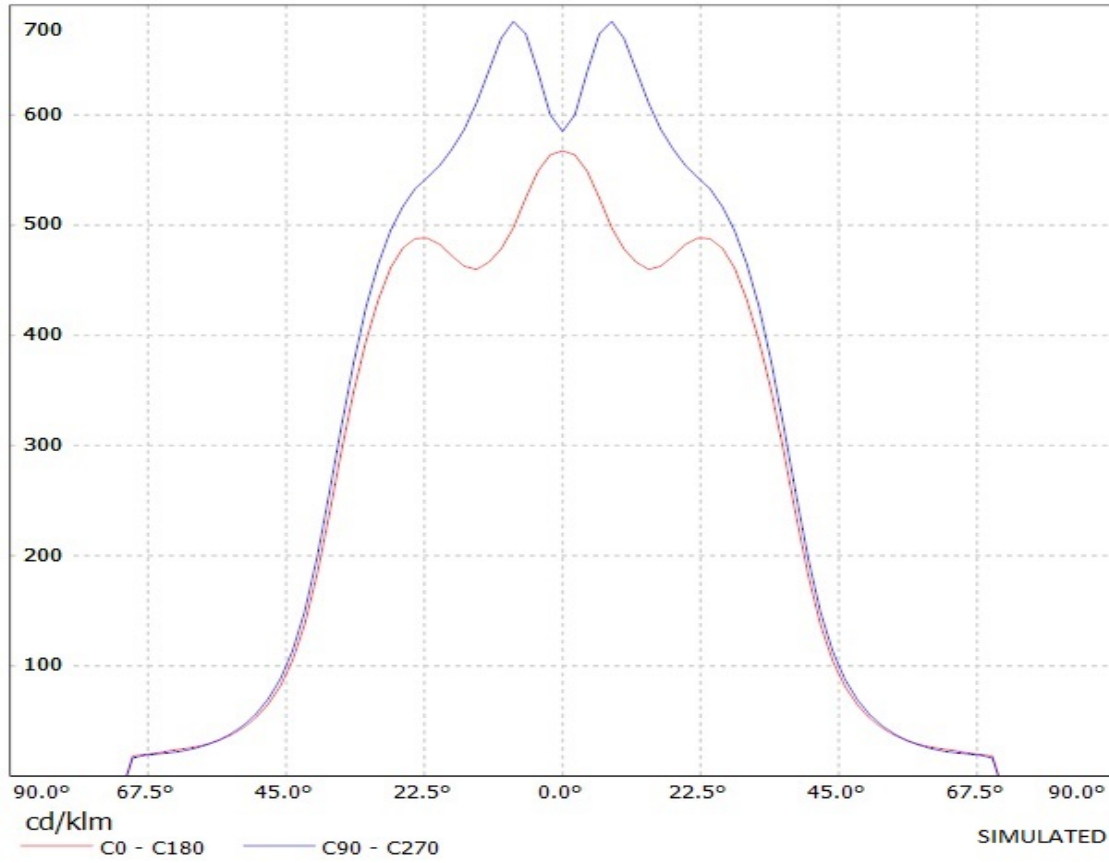
1

Luminaire: Ledil Oy CA12047_TINA2-O (OSRAM Golden Dragon+ 82 lm @ 250 mA) Efficiency=89%
Lamps: 1 x OSRAM Golden Dragon+ 82 lm @ 250 mA

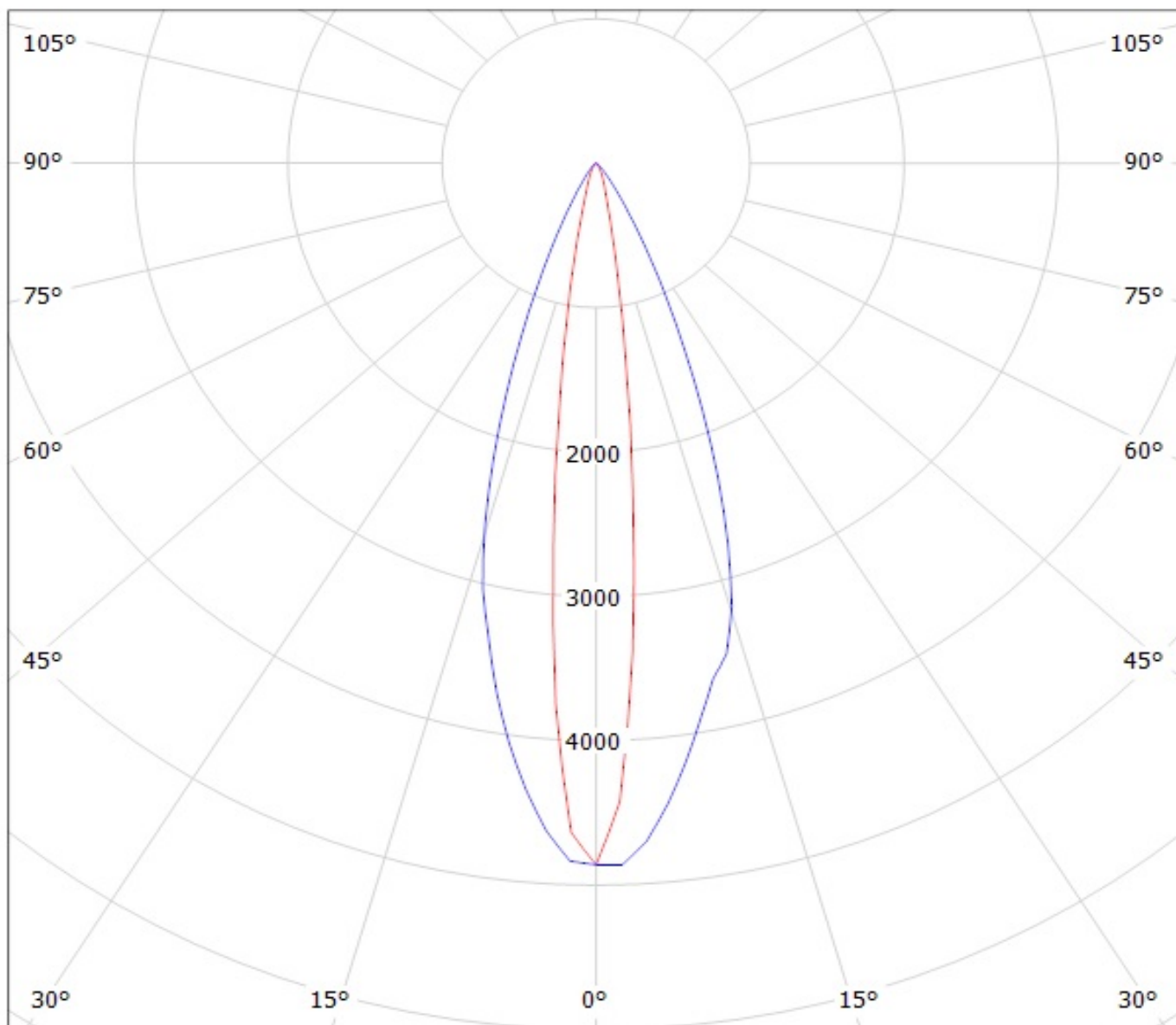


Ledil Oy C10449_Tina-O-Plus-W_GD+ C10449_Tina-O-Plus-W_GD+ / LDC (Linear)

Luminaire: Ledil Oy C10449_Tina-O-Plus-W_GD+ C10449_Tina-O-Plus-W_GD+
Lamps: 1 x Osram-os Golden Dragon+ ffB



Luminaire: Ledil Oy CA12047_TINA2-O (OSRAM Golden Dragon+ 82 lm @ 250 mA) Efficiency=89%
Lamps: 1 x OSRAM Golden Dragon+ 82 lm @ 250 mA



cd/klm

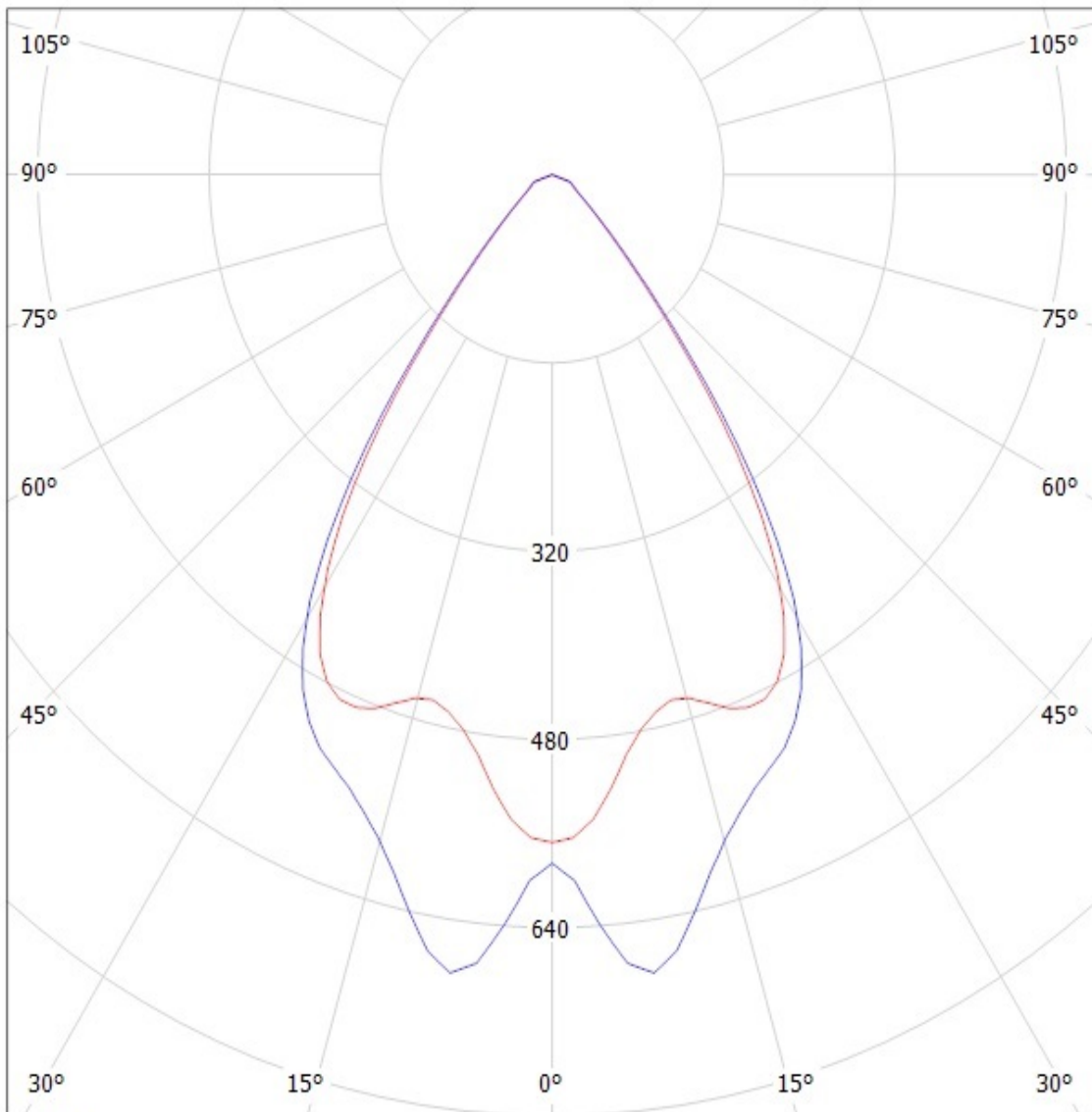
— C0 - C180

— C90 - C270

Ledil Oy C10449_Tina-O-Plus-W_GD+ C10449_Tina-O-Plus-W_GD+ / LDC (Polar)

Luminaire: Ledil Oy C10449_Tina-O-Plus-W_GD+ C10449_Tina-O-Plus-W_GD+

Lamps: 1 x Osram-os Golden Dragon+ ffB



cd/klm

— C0 - C180

— C90 - C270

SIMULATED