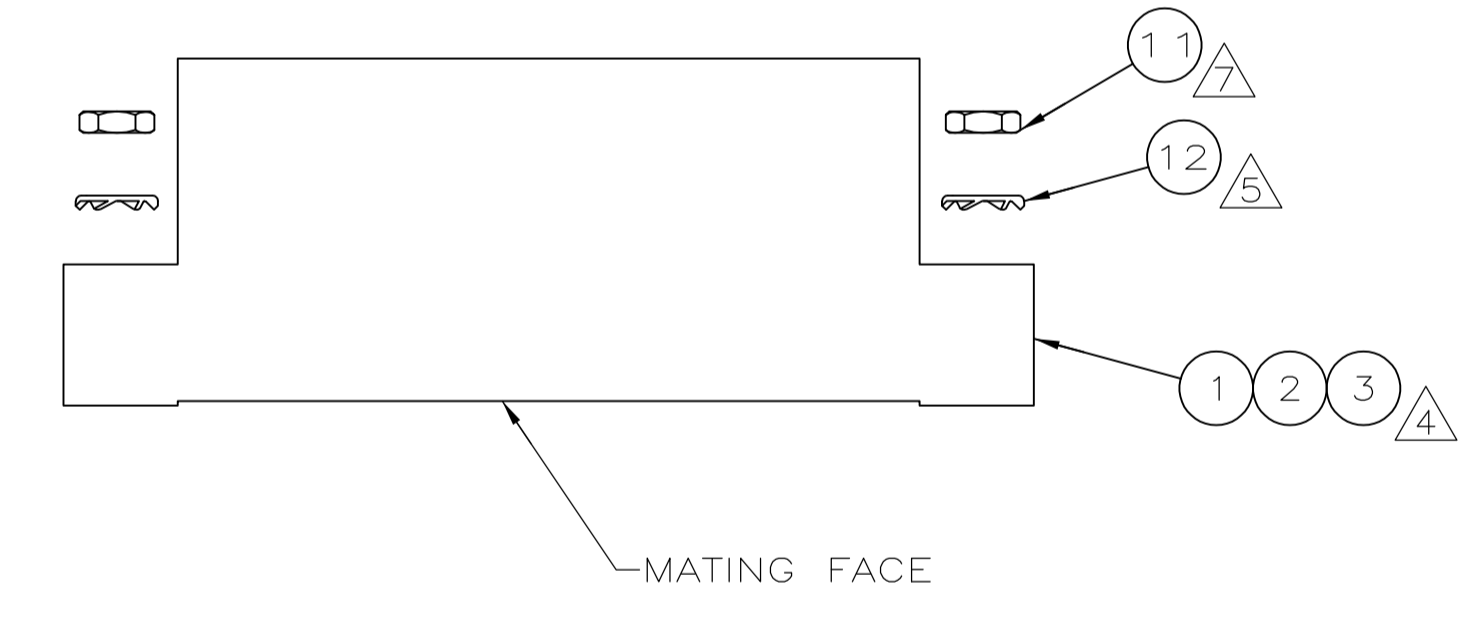
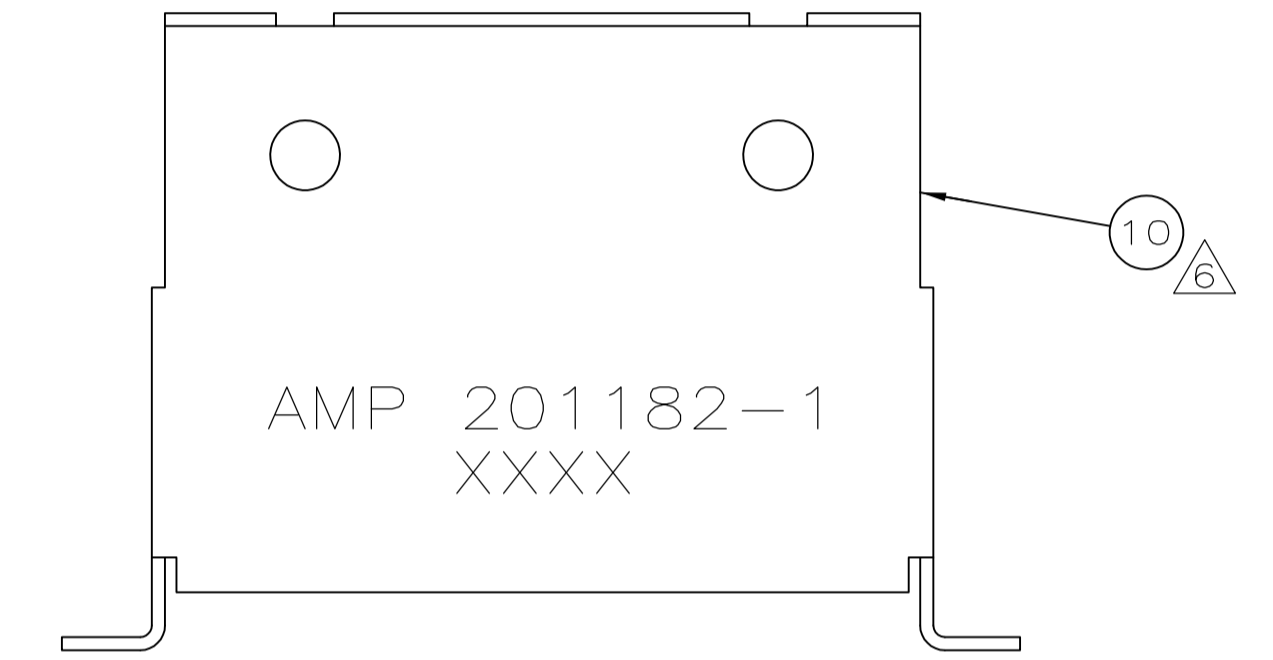
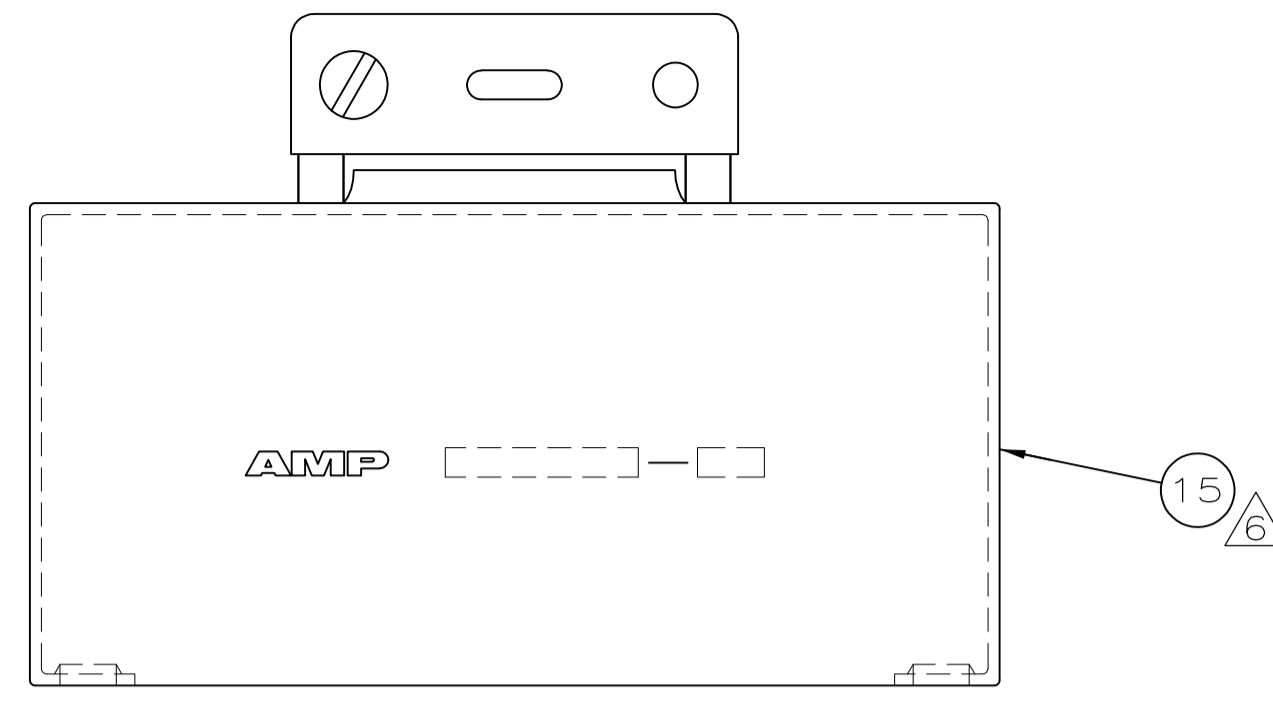
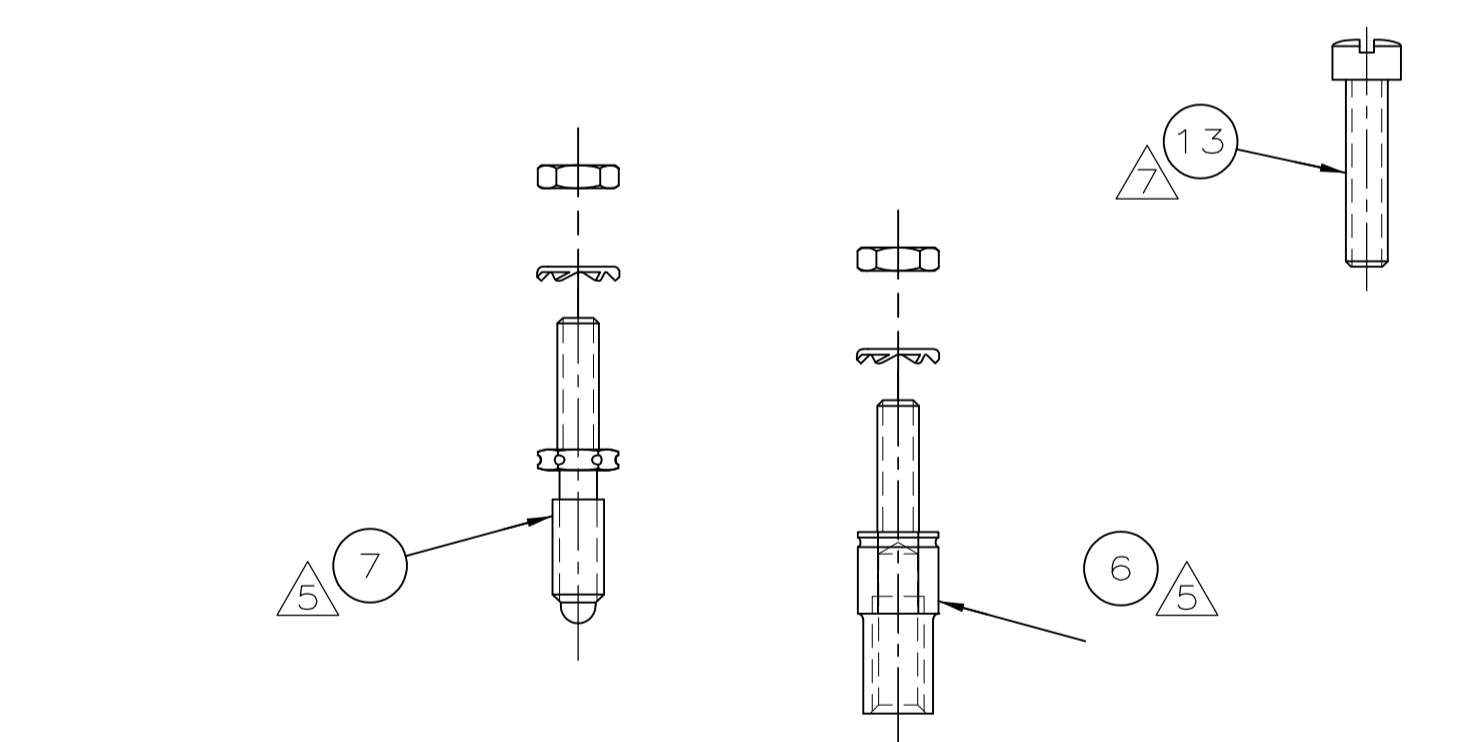
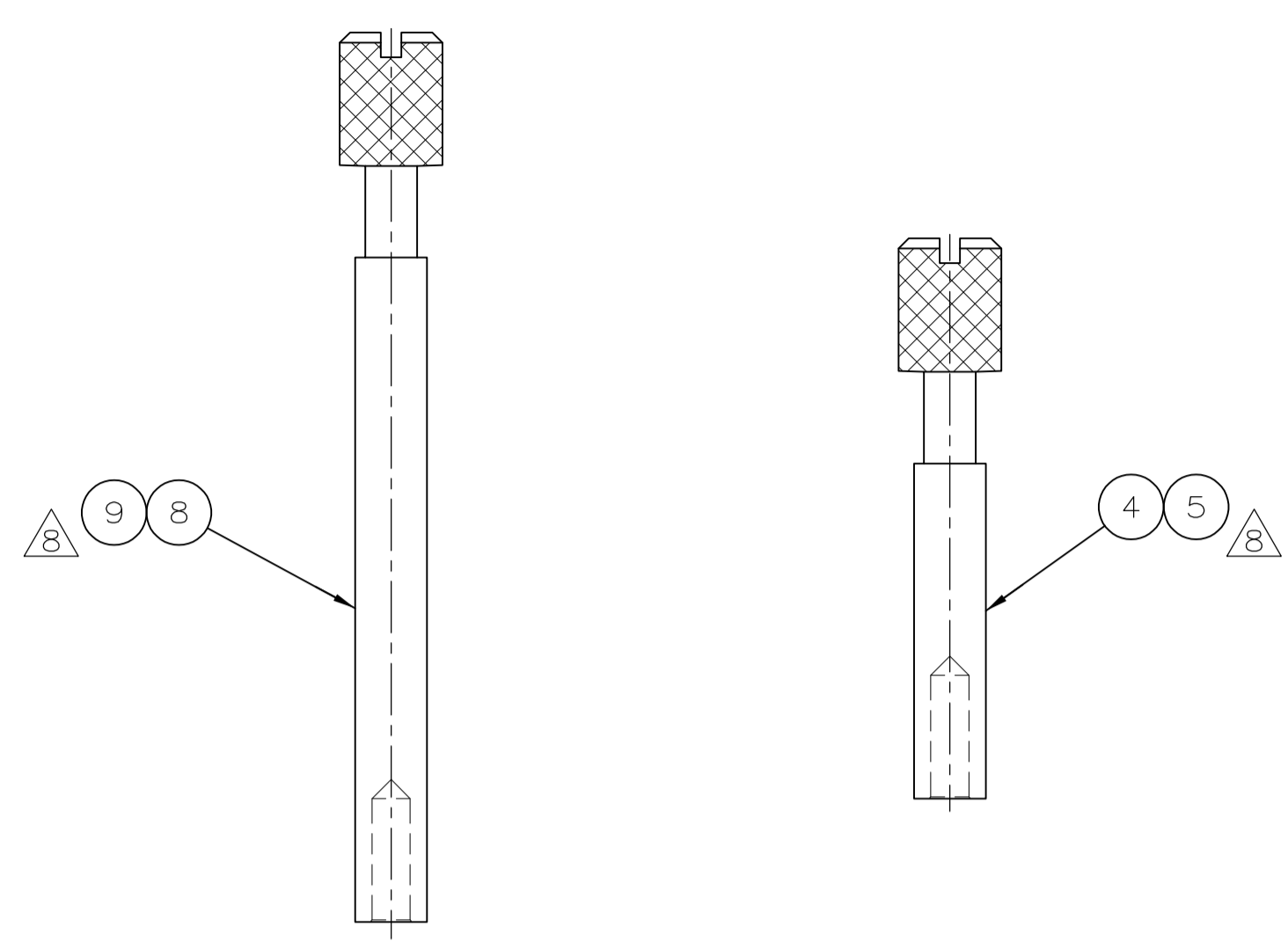


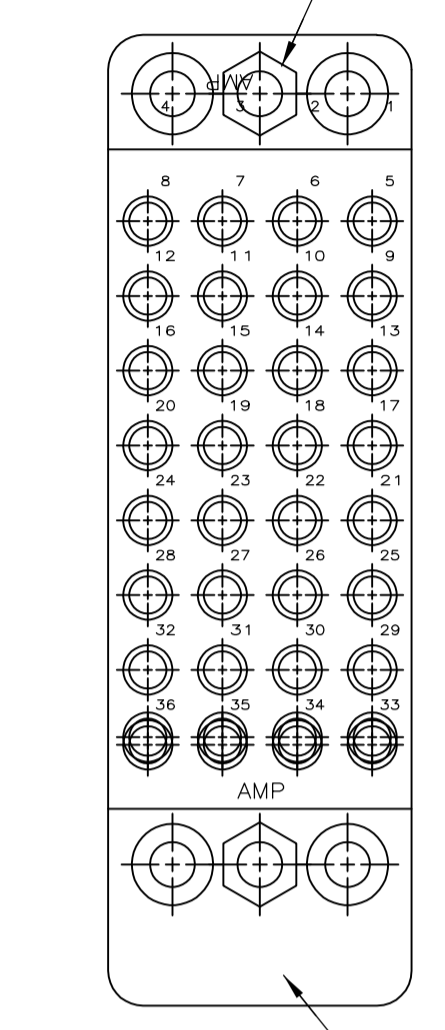
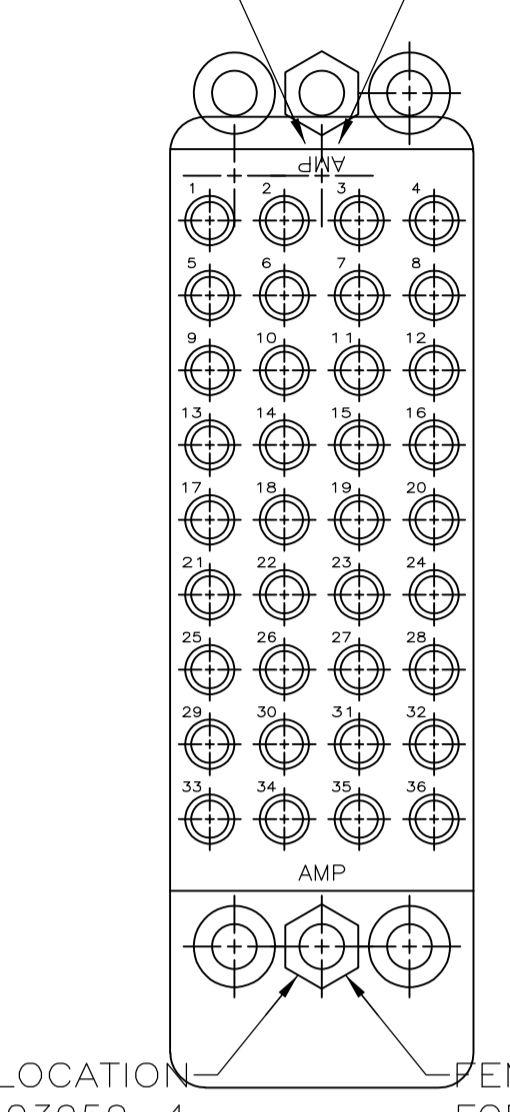
LOC	DIST	P	F	ZONE	LTR	DESCRIPTION	DATE	APPD
FT	8				Y	REDRAWN W/O CHANGE & REV PER EC 0020-307-94	06/03/94	TC
					Z	OBS -13,-14,-15 PER EC 0020-0182-93	11/29/94	RK
					AA	OBS -16 PER EC 0020-1325-94	04/20/95	GS
					AB	REV PER EC 0320-22-98	22JAN98	GS
					AB1	REVISED PER ECO-09-020935	09SEP09	AEG



FEMALE JACKSCREW LOCATION FOR 1-203959-4
 MALE JACKSCREW LOCATION FOR 203959-5 & 1-203959-5

MALE JACKSCREW LOCATION FOR 1-203959-4
 FEMALE JACKSCREW LOCATION FOR 203959-5 & 1-203959-5

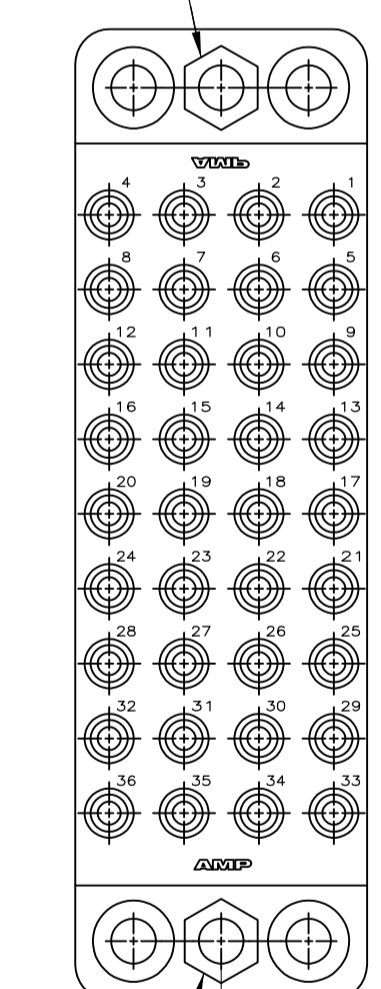
FEMALE JACKSCREW LOCATION



MATING FACE OF 203956-2 BLOCK

MATING FACE OF 205076-2 BLOCK

MALE JACKSCREW LOCATION



FEMALE JACKSCREW LOCATION

MATING FACE OF 205629-5 BLOCK

OBsolete	OBsolete	OBsolete	OBsolete	OBsolete	OBsolete	PART NO	DESCRIPTION	ITEM NO
1	-	1	-	-	-	200532-2	180° SHIELD, SHORT,2PLC	15
1	-	-	-	-	-	201390-5	PIN HOOD, INTERNAL	14
-	2	-	-	-	-	200330-2	SCREW	13
-	2	-	-	-	-	200503-1	LOCKWASHER	12
-	2	-	-	-	-	200773-2	NUT	11
-	1	-	-	-	-	201182-1	STRAIN RELIEF ASSY,SHORT	10
-	-	-	-	-	1	205269-1	JACKSCREW ASSY,FEMALE	9
-	-	-	-	-	1	205268-1	JACKSCREW ASSY,MALE	8
-	1	-	1	1	-	200874-1	FIXED JACKSCREW ASSY,MALE	7
-	1	-	1	1	-	200875-1	FIXED JACKSCREW ASSY,FEMALE	6
1	-	1	-	-	-	205191-1	JACKSCREW ASSY,FEMALE,LONG	5
1	-	1	-	-	-	205190-1	JACKSCREW ASSY,MALE,LONG	4
-	-	-	1	-	-	205629-5	BLOCK	3
1	-	-	-	1	-	205076-2	BLOCK	2
-	1	1	-	-	1	203956-2	BLOCK	1

- REFER TO COMPONENT DRAWINGS FOR DETAILS.
 - FOR MATING KITS SEE AMP DWG NO 203958, EXCEPT FOR 203959-6.
- △ FULLY ASSEMBLED.
 - △ PHENOLIC, BLACK.
 - △ STAINLESS STEEL.
 - △ STEEL, NICKEL PLATED.
 - △ STEEL, ZINC PLATED.
 - △ BODY: BRASS, ZINC PLATED; TIP: STAINLESS STEEL.
 - △ OBSOLETE PARTS: OBSOLETE CIS STREAMLINING PER D.RENAUD/D.SINISI

DO NOT SCALE PRINT. UNLESS SPECIFIED DIMENSIONS IN mm [INCHES] TOLERANCES ON : 2 PLC DEC ± - 3 PLC DEC ± - ANGLES ± -		DR 06/03/94 K.FOLTZ CHK 06/16/94 R.STONE APPD 06/17/94 T.COULSON APPD 06/17/94 T.COULSON	AMP Incorporated Harrisburg, PA 17105-3608		
MATERIAL	-	PRODUCT SPEC	NAME CONNECTOR KIT, .200 GRID, AUTO-WIRING, 36 POSN, M SERIES		
FINISH	-	APPLICATION SPEC	SIZE D	CAGE CODE 00779	DRAWING NO C-203959
WEIGHT	-		SCALE 2:1	SHEET 10F 1	

THIS DRAWING IS A CONTROLLED DOCUMENT FOR AMP INCORPORATED. IT IS SUBJECT TO CHANGE AND THE CONTROLLING ENGINEERING ORGANIZATION SHOULD BE CONTACTED FOR THE LATEST REVISION.