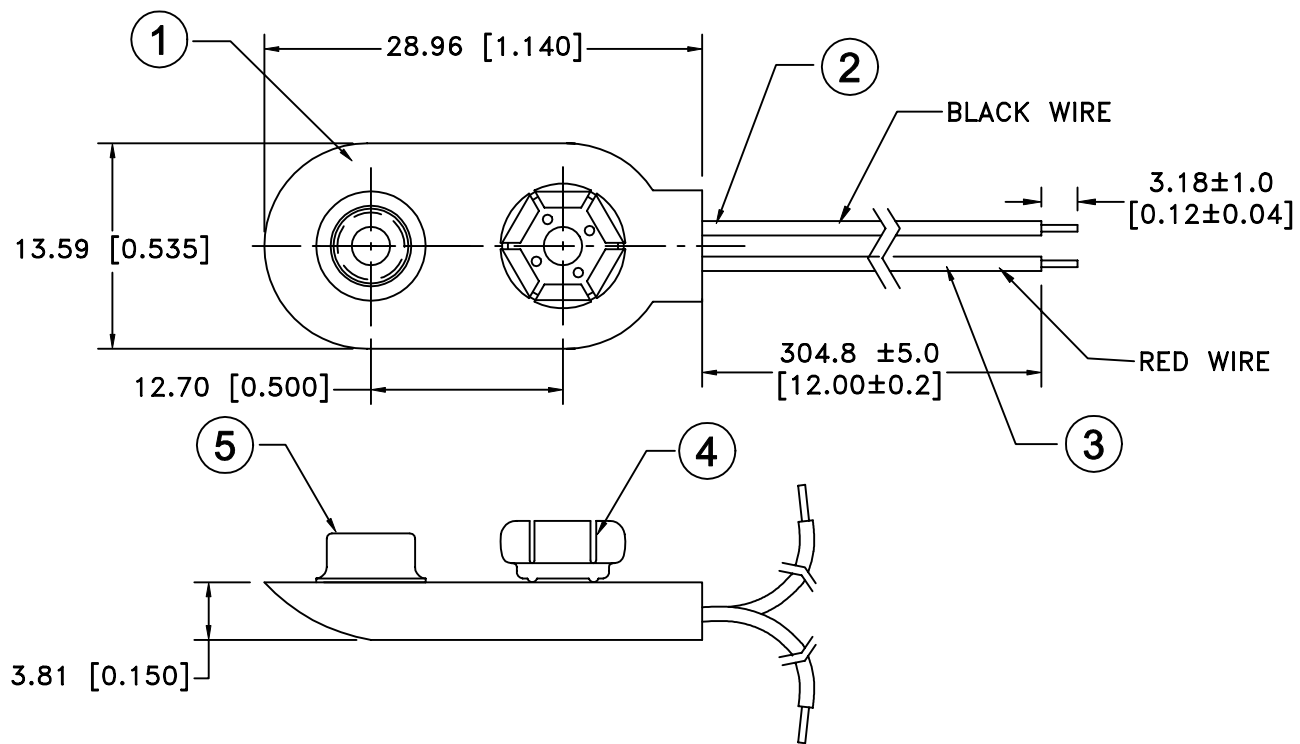



| Date | SYM | REVISION RECORD | AUTH | DR. | CK. |
|------|-----|-----------------|------|-----|-----|
|      |     |                 |      |     |     |
|      |     |                 |      |     |     |
|      |     |                 |      |     |     |
|      |     |                 |      |     |     |
|      |     |                 |      |     |     |



| NO. | PART NAME     | MATERIAL                               | QTY. | Tolerance         | Memory Protection Devices, Inc  |  |               |
|-----|---------------|--|------|-------------------|---|--|---------------|
| 1   | COVER         | PVC COVER OVER FIBERBOARD              | 1    | (Except as noted) |  | 200 Broad Hollow Road, Farmingdale, New York 11735 |               |
| 2   | BLACK WIRE(-) | 22 AWG, UL-1007, CSA TR-64, 300V, 80°C | 1    | decimal           |   | Scale  | Drawn By B.S. |
| 3   | RED WIRE (+)  | 22 AWG, UL-1007, CSA TR-64, 300V, 80°C | 1    | ±.5 (.020)        |   | Approved By T.B.                                   |               |
| 4   | FEMALE SNAP   | BRASS, NICKLE PLATED                   | 1    | Fractional        | Title   |  |               |
| 5   | MALE SNAP     | BRASS NICKLE PLATED                    | 1    | ± .8 (.030)       | 9 VOLT BATTERY SNAP-I STYLE-12" WIRE LEADS, 22 AWG                                    |  |               |
|     |               |  |      | Angular           | Date  | Drawing Number                                     |               |
|     |               |  |      | ± 3°              | 05/25/01  | BS12I-22   |               |