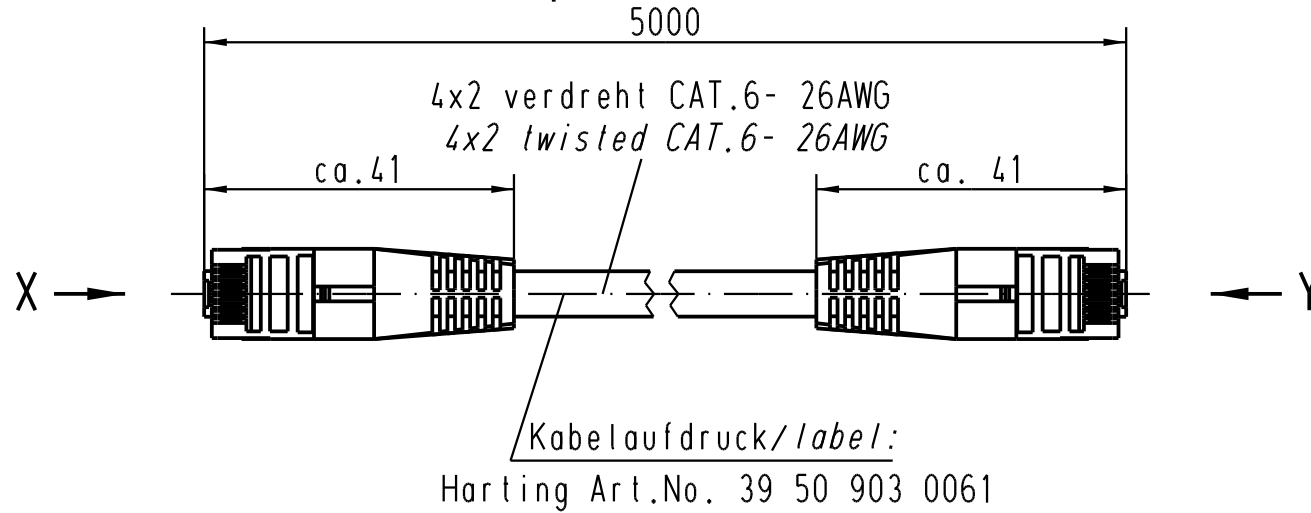
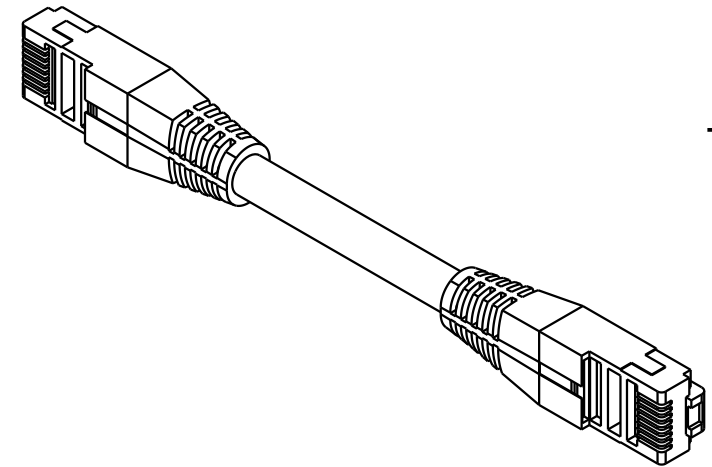
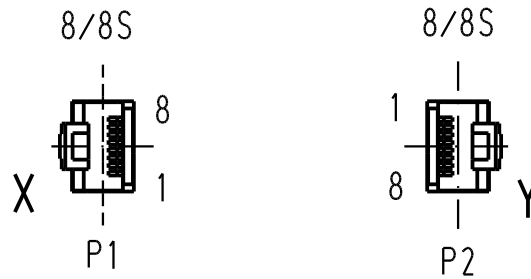


1 2 3 4 5 6



Stromlaufplan/
circuit diagram

	P1		P2
WHITE-ORANGE	1		1
ORANGE	2		2
WHITE-GREEN	3		3
GREEN	6		6
BLUE	4		4
WHITE-BLUE	5		5
WHITE-BROWN	7		7
BROWN	8		8
SHIELD	—		SHIELD



All Dimensions in mm Original Size DIN A 4		Techn. Character.			Nicht tolerierte Masse/ Free size tolerances	
			Dat.	Name	Massstab/Scale 1:1	Leitung RJ45 CAT5e, 5m, grau cable RJ45, CAT5e, 5m, grey
		Detail.	17.02.05	Loe.		
		Insp.		Be		
		Stand.				
411516	15.03.05	Loe.	HARTING Electric GmbH & Co. KG		TB 39 50 903 0061	Blatt/ page
411474			D-32339 Espelkamp			
Mod.	Dat.	Name			Sub.	