

## DETAILS

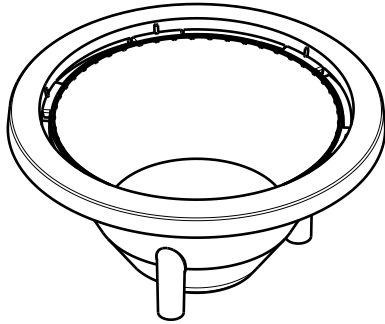
<b>Product Number</b>	C13086_MIRELLA-50-M-PF
<b>Family</b>	Mirella
<b>Type</b>	Reflector
<b>Color</b>	metal
<b>Diameter</b>	49,9 mm
<b>Height</b>	24 mm
<b>Style</b>	round
<b>Optic Material</b>	PC
<b>Holder Material</b>	
<b>Fastening</b>	socket
<b>Status</b>	production ready
<b>ROHS Compliant</b>	Yes
<b>Date Updated</b>	10/02/2016



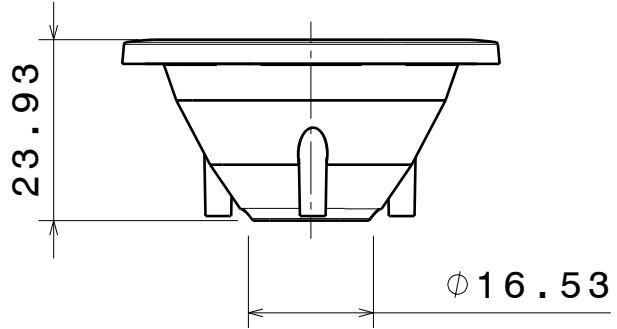
## OPTICAL PROPERTIES

LED	Viewing Angle	Light Beam	Efficiency	cd/lm	Connector
CXA/B 1816 & CXA/B 1820 & CXA 1850	32 deg	Medium	88 %	1.900	IDEAL: 50-2101CR + 50-2100MR
LUXEON CoB 1202/1203	25 deg	Medium	86 %	2.500	IDEAL: 50-2100NC +50-2100MR
COB L-Type (LES 11)	31 deg	Medium	86 %	2.000	IDEAL: 50-2100NC +50-2100MR
COB L-Type (LES 9)	23 deg	Medium	76 %	2.400	IDEAL: 50-2100NC +50-2100MR

NOTE: It is recommended to use glue like DELO-PUR 9895 for pin fastening.  
[http://www.delo.de/fileadmin/datasheet/DELO-PUR\\_9895\\_\(TIDB-GB\).pdf](http://www.delo.de/fileadmin/datasheet/DELO-PUR_9895_(TIDB-GB).pdf)

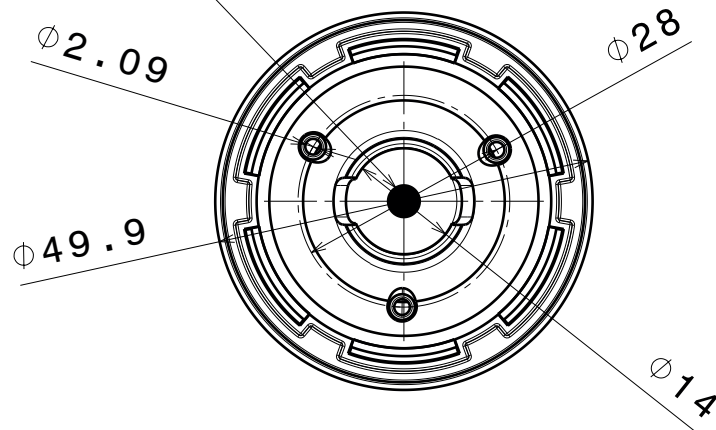


Isometric view



Front view

LED position



Bottom view

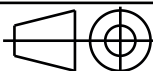
INDEX	PART NO	DESCRIPTION	MATERIAL	COLOUR
1	C13086	MIRELLA-50-M-PF	PC	metal

Tolerances if not otherwise shown  
 According to DIN ISO 2768-1  
 Linear measures:  
 Up to 30mm class M, otherwise class C.  
 According to DIN ISO 2768-2  
 Form and position: class L

**LEDiL**

Ledil Oy  
 Salorankatu 10  
 FIN 24240 SALO  
 Finland

THIRD ANGLE PROJECTION:



DRAWING TITLE

**C13086\_MIRELLA-50-M-PF**

This drawing is the property  
 of LEDiL Oy. It may not be  
 reproduced, copied or  
 communicated without a written  
 agreement with LEDiL Oy.

SIZE PART NUMBER

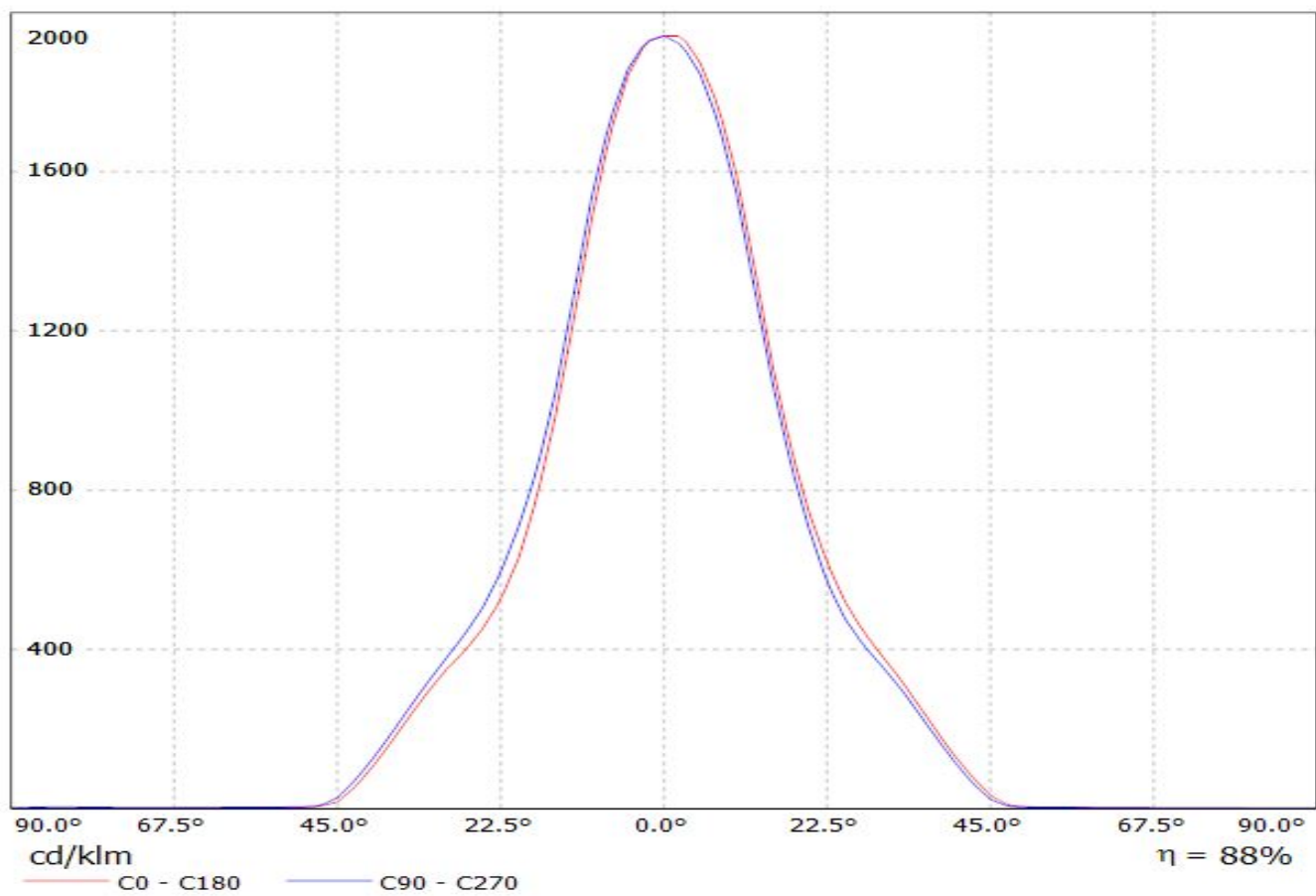
**A4**

**C13086**

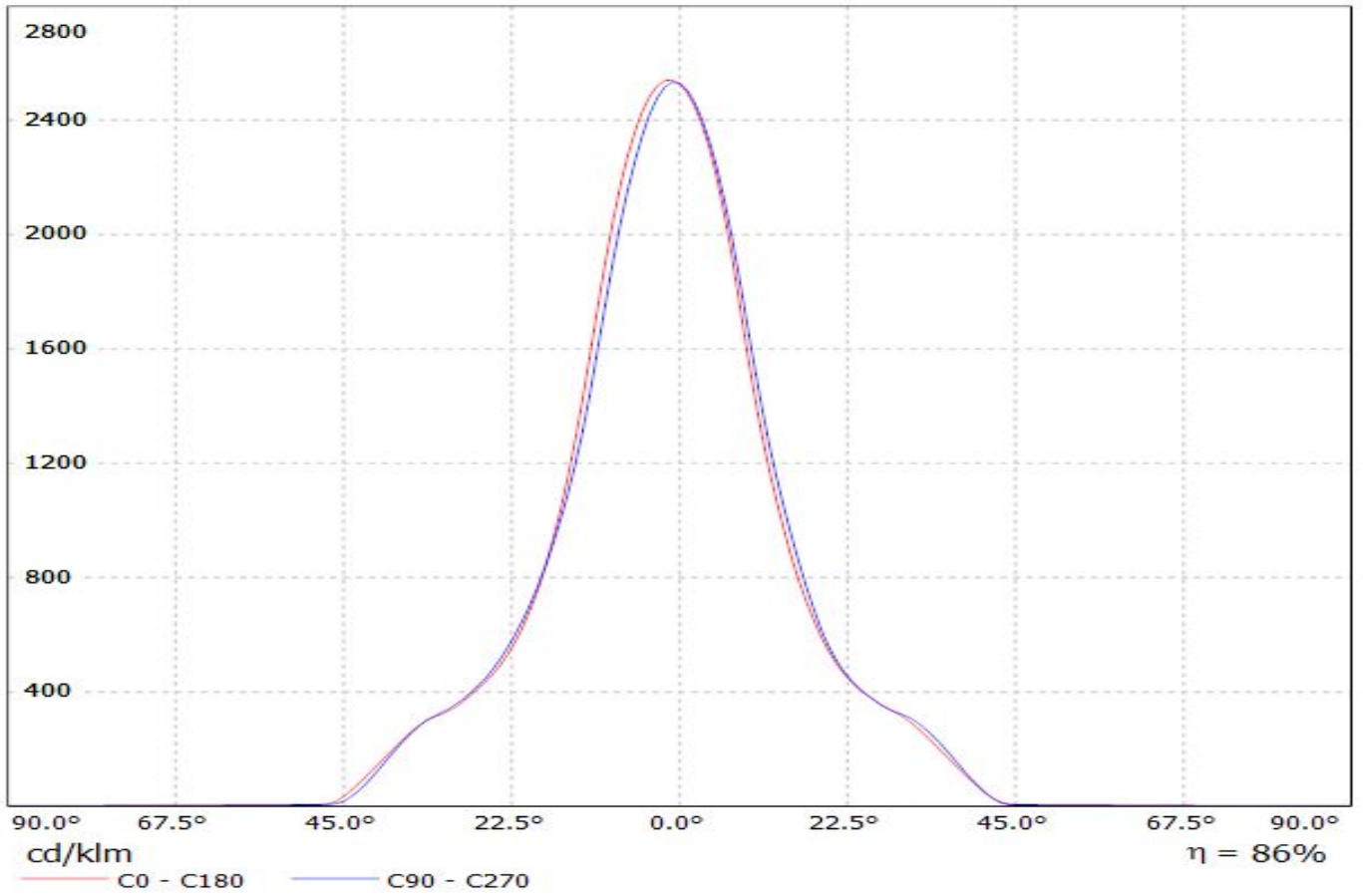
SCALE 1:1 WEIGHT 4,55 g SHEET 1/1

Luminaire: LEDiL Oy C13086\_MIRELLA-50-M-PF\_(CXA1816)

Lamps: 1 x CREE\_CXA1816\_(CXA1816-30F-P2-N0H-00001)\_1077.67lm@250mA\_P=8.73226W\_I=249.8mA

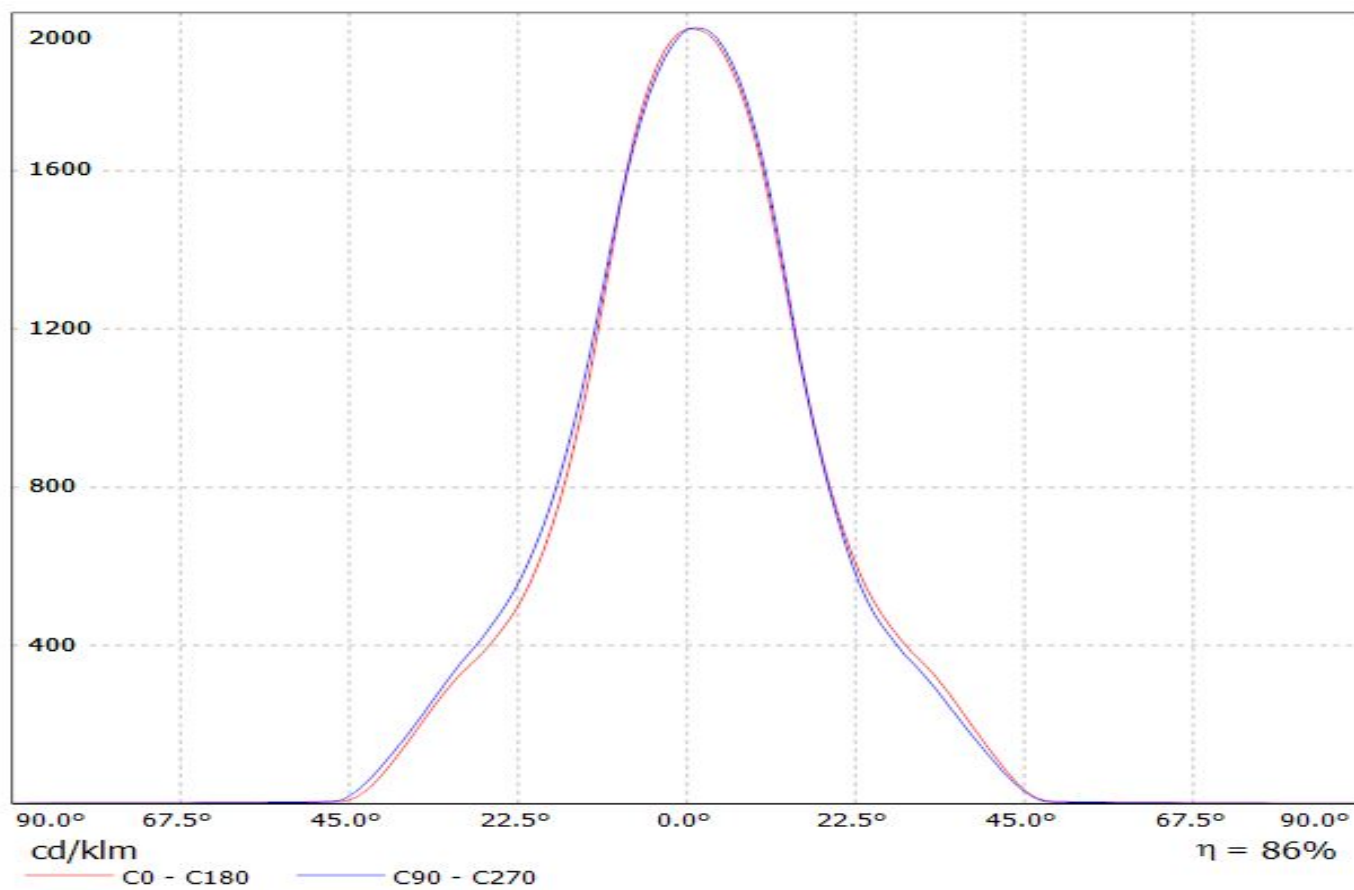


Luminaire: LEDiL Oy C13086\_MIRELLA-50-M-PF\_(COB\_1203)  
Lamps: 1 x Phillips\_Lumileds\_Luxeon\_COB\_1203\_(LHC1-3080-1203)  
\_987.649lm@250mA\_P=8.67381W\_I=249.8mA



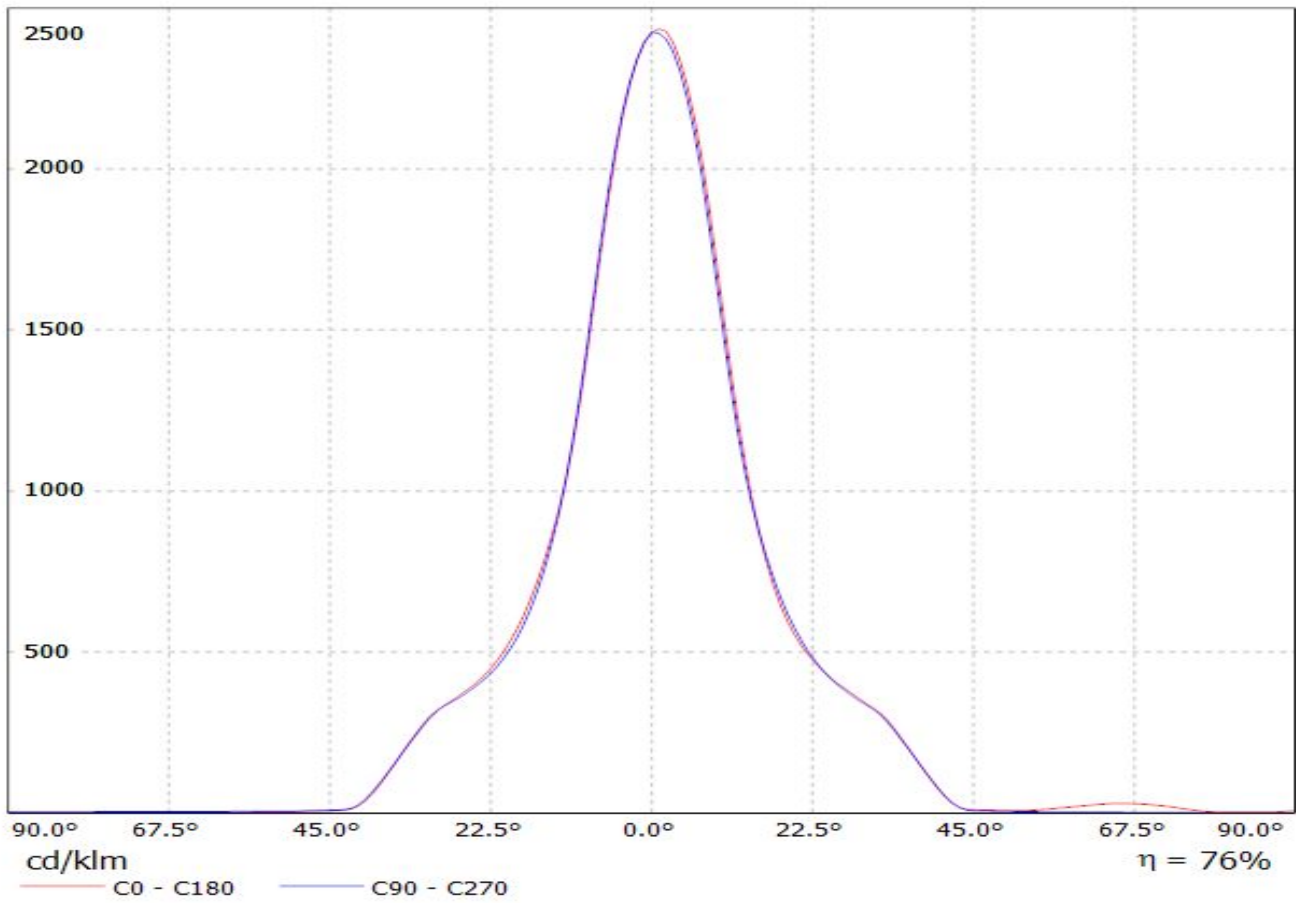
Luminaire: LEDiL Oy C13086\_MIRELLA-50-M-PF\_(NFCLL060B)

Lamps: 1 x Nichia\_NFCLL060B\_(sm403G2450R8000)\_1315.35lm@250mA\_P=8.47347W\_I=249.8mA



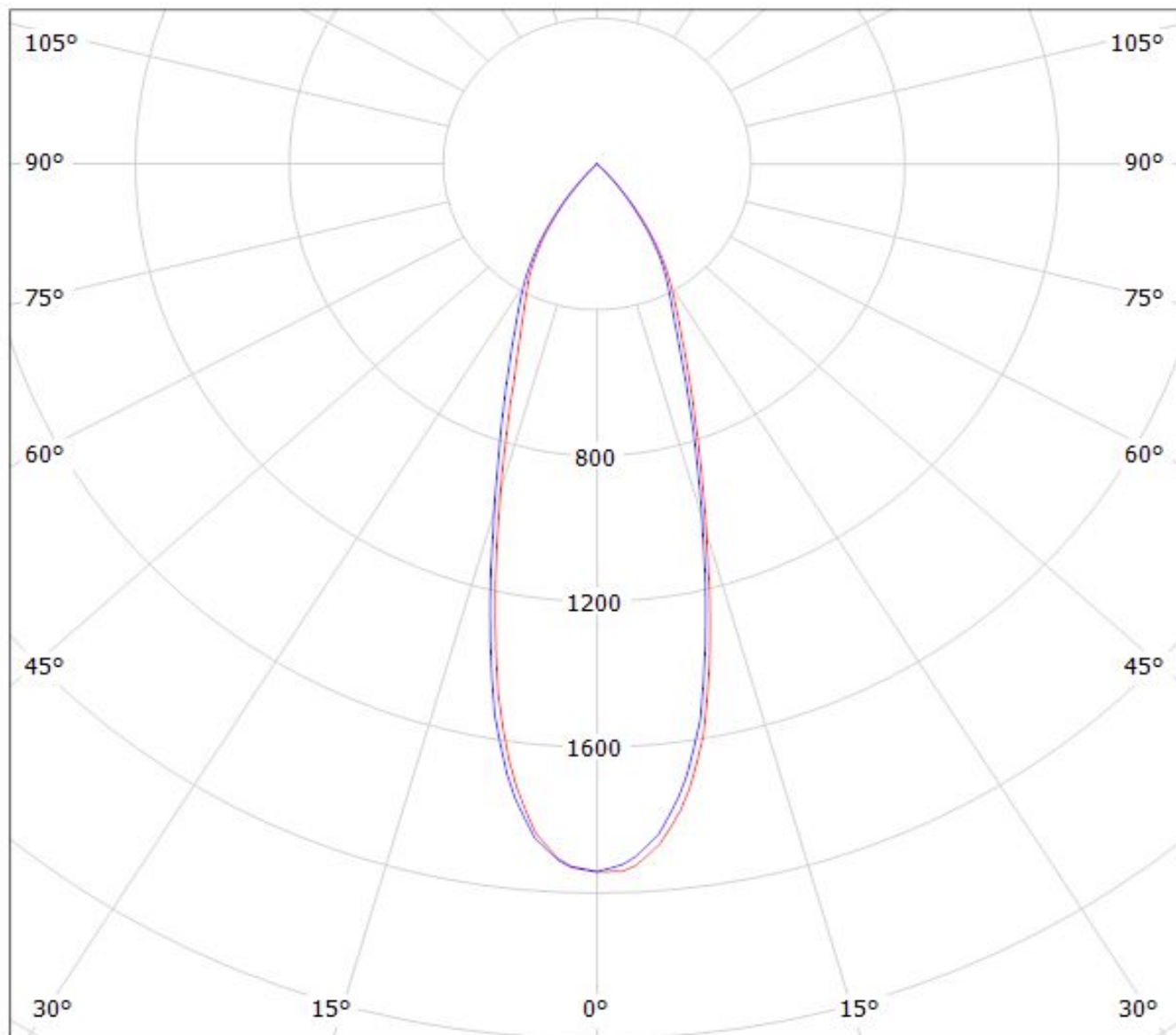
Luminaire: LEDiL Oy C13086\_MIRELLA-50-M-PF\_(NFCLL036B)

Lamps: 1 x Nichia\_NFCLL036B\_(sm403J1300R8000)\_546.369lm@100mA\_P=3.34274W\_I=100.1mA



Luminaire: LEDiL Oy C13086\_MIRELLA-50-M-PF\_(CXA1816)

Lamps: 1 x CREE\_CXA1816\_(CXA1816-30F-P2-N0H-00001)\_1077.67lm@250mA\_P=8.73226W\_I=249.8mA



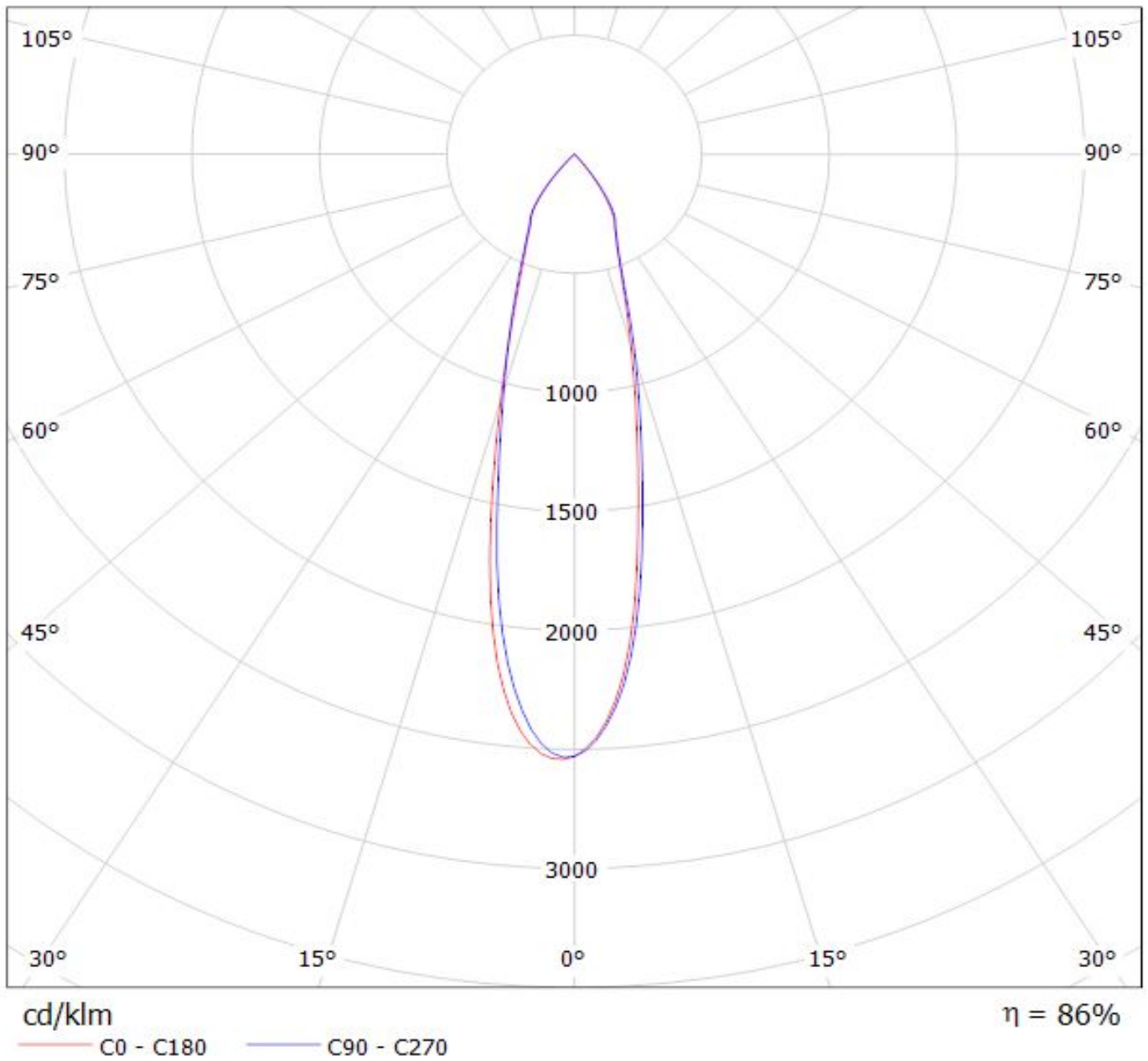
cd/klm

— C0 - C180

— C90 - C270

$\eta = 88\%$

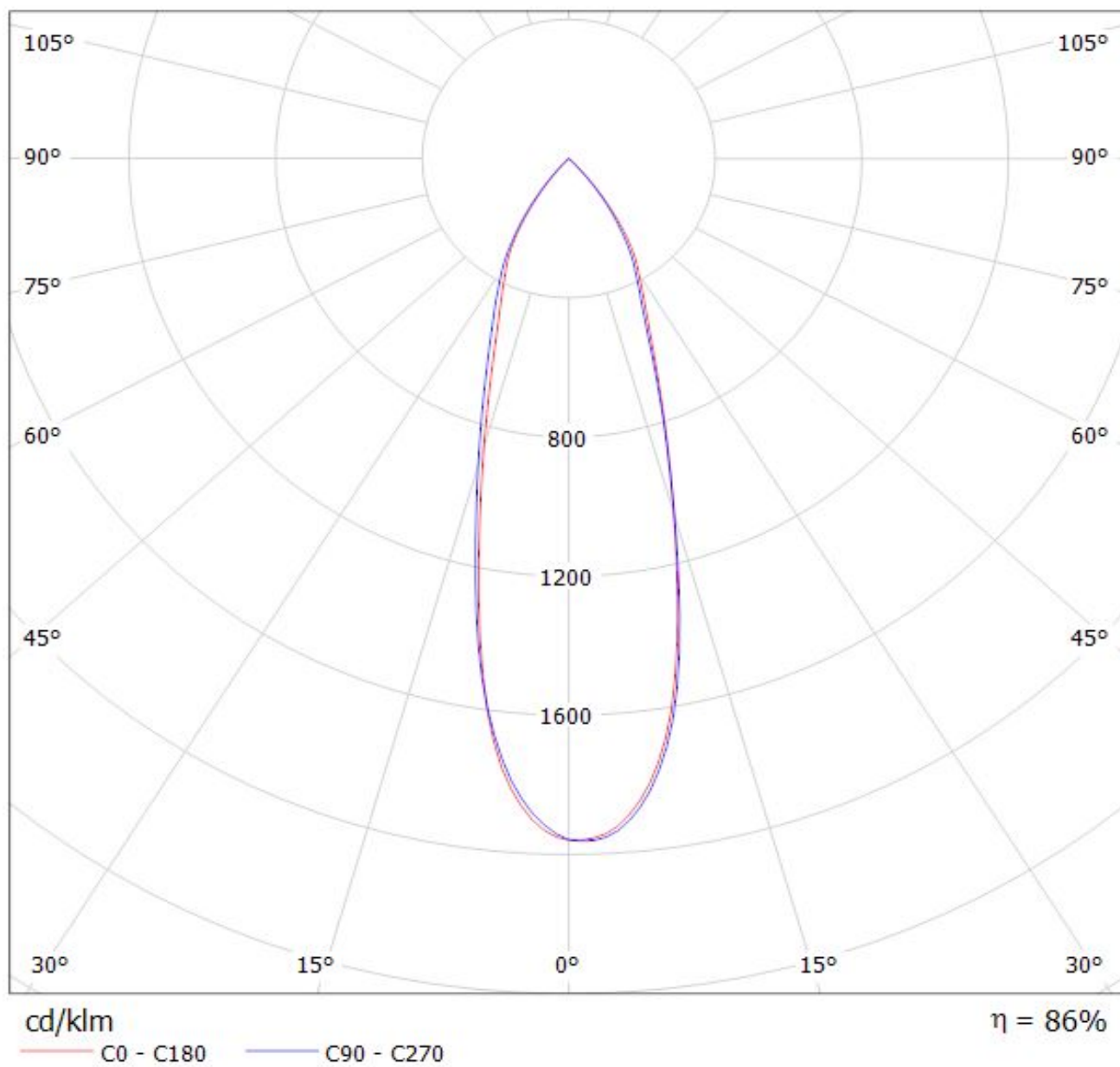
Luminaire: LEDiL Oy C13086\_MIRELLA-50-M-PF\_(COB\_1203)  
Lamps: 1 x Phillips\_Lumileds\_Luxeon\_COB\_1203\_(LHC1-3080-1203)  
\_987.649lm@250mA\_P=8.67381W\_I=249.8mA





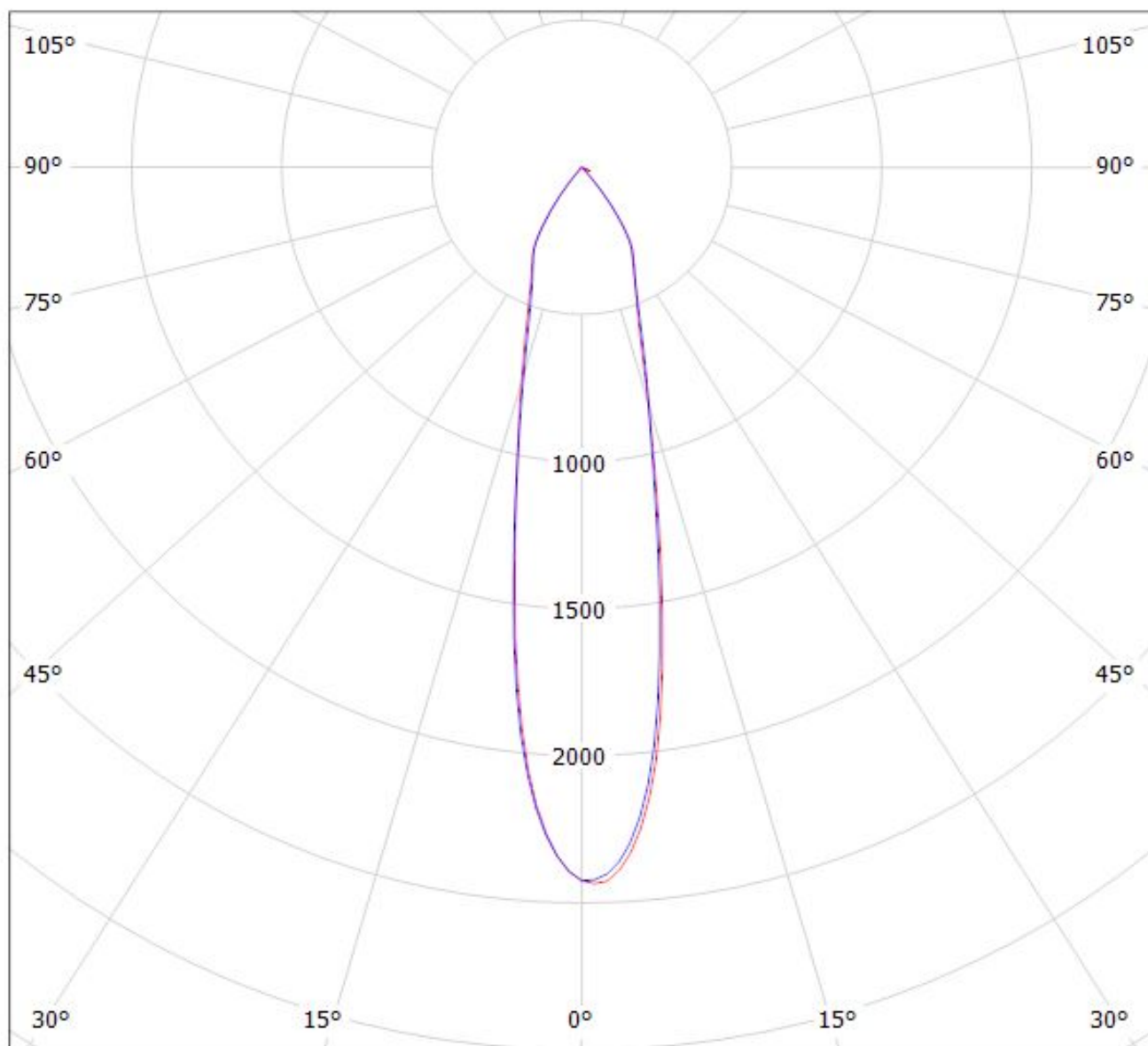
Luminaire: LEDiL Oy C13086\_MIRELLA-50-M-PF\_(NFCLL060B)

Lamps: 1 x Nichia\_NFCLL060B\_(sm403G2450R8000)\_1315.35lm@250mA\_P=8.47347W\_I=249.8mA



Luminaire: LEDiL Oy C13086\_MIRELLA-50-M-PF\_(NFCLL036B)

Lamps: 1 x Nichia\_NFCLL036B\_(sm403J1300R8000)\_546.369lm@100mA\_P=3.34274W\_I=100.1mA



cd/klm

$\eta = 76\%$

— C0 - C180    — C90 - C270

**NOTE: The typical divergence will be changed by different color, chip size and chip position tolerance. The typical total divergence is the full angle measured where the luminous intensity is half of the peak value.**

### **GENERAL INFORMATION**

- Product series especially designed & optimized for series of LEDs.
- Special care taken to make light distribution as uniform as possible.

Note! Due to use of high power COB's with this product, special attention to proper thermal design is highly recommended. LEDiL has no liability for direct, indirect or consecutive damages arising from the LEDiL products being used outside of the recommended temperature range.