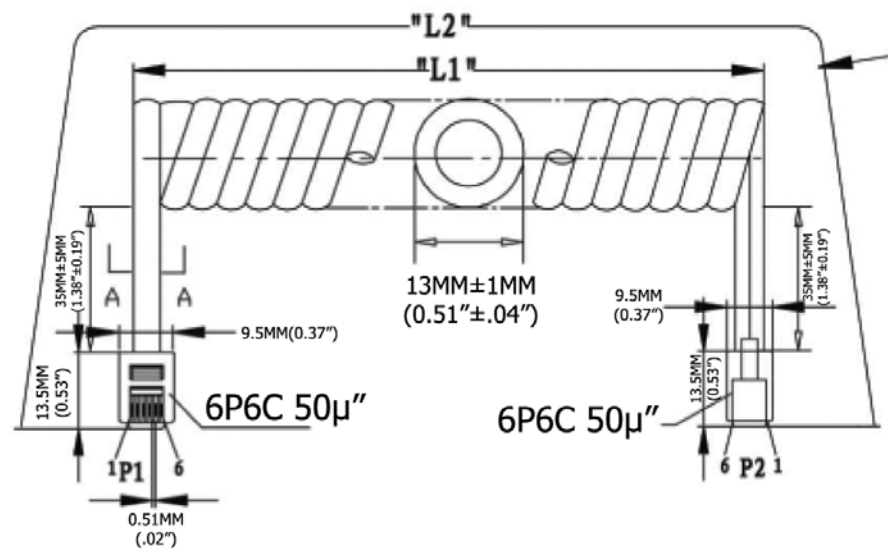


A

A



Extended length is with 500g of force

B

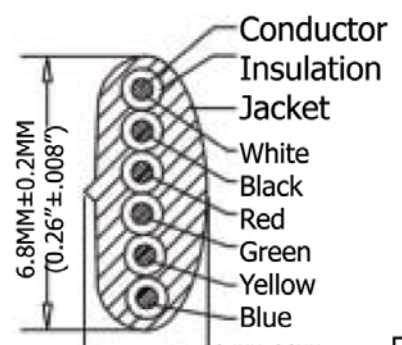
B

C

C

D

D



P1	P2
1 WHITE	6
2 BLACK	5
3 RED	4
4 GREEN	3
5 YELLOW	2
6 BLUE	1

**Material:**

- Plug Housing: Polycarbonate, clear
- Plug Terminal: 0.36"[0.14MM] Thick Phosphor Bronze
- Connector: 50µ" of Selective Gold Contact Plating
  - Area, Gold flash over the remainder
  - Over 2.54µm[.000100] thick nickel underplate
- Conductor(X6C): 26AWG (0.12X12) Bare Copper
- Insulation(X6C): PP6331 ID 0.95-1.0
- Jacke: PVC No UL 80 P
- Package: Individual PE Bag

Extended Length ("L2")	Typical Retracted Length ("L1")
168.0 Inches - 193.2 Inches	53.5 Inches
4,267.2MM-4,907.28MM	1,358.9MM

F

F

**SBC: A-A**

G

G

Scale	1:1	Name	Chappell	Item No.	<b>AT-C-26-6/6/B-14</b>
TOLERANCE		Drawn	11.02.11	<b>Title</b> NON-UL 26 AWG (0.12X12)*6C, O.D.: 2.4*6.8MM, Standard Plug, 50µ" of contact plating, BLACK	
X.X	±0.40	Approved			
X.XX	±0.25				
X.XXX	±0.15				
Angle	±3°				
				Drawing No.	<b>rev00</b>
				Replace	Sheet
		Modification	Date	Name	



H