



PRODUCT DATASHEET

Vanessa series

last update 9/5/2014

DETAILS

| | |
|------------------------|------------------|
| Product Number | C13460_VANESSA-O |
| Family | Vanessa |
| Type | Lens |
| Color | clear |
| Diameter | 295x16 mm |
| Height | 8 mm |
| Style | rectang |
| Optic Material | PMMA |
| Holder Material | |
| Fastening | |
| Status | production ready |
| ROHS Compliant | Yes |
| Date Updated | 9/05/2014 |



OPTICAL PROPERTIES

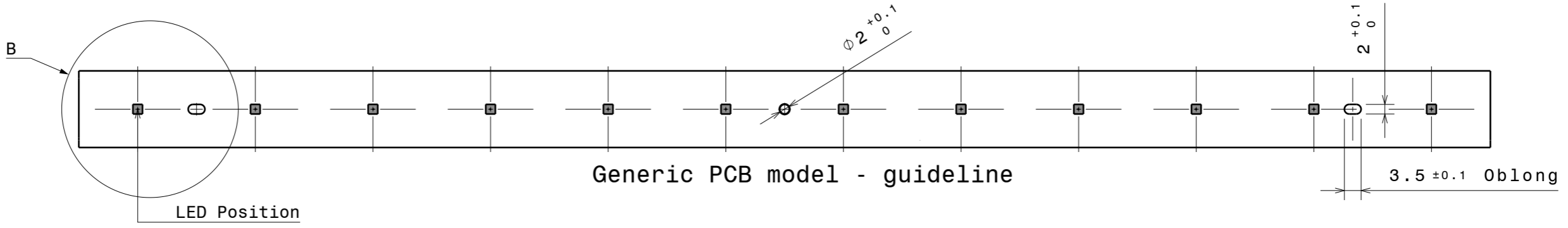
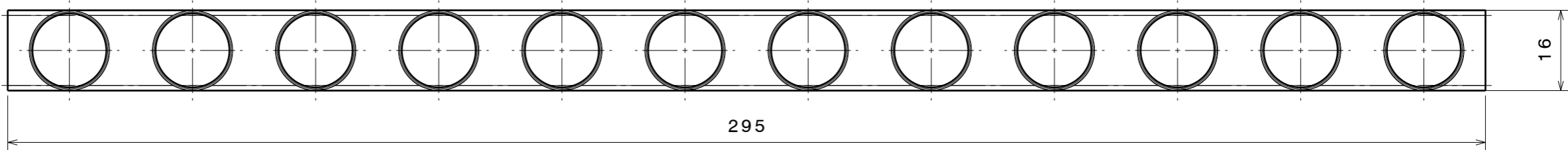
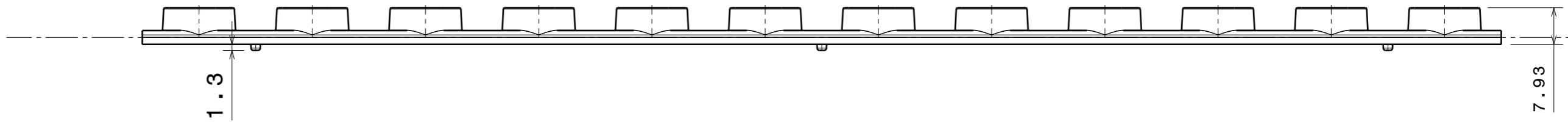
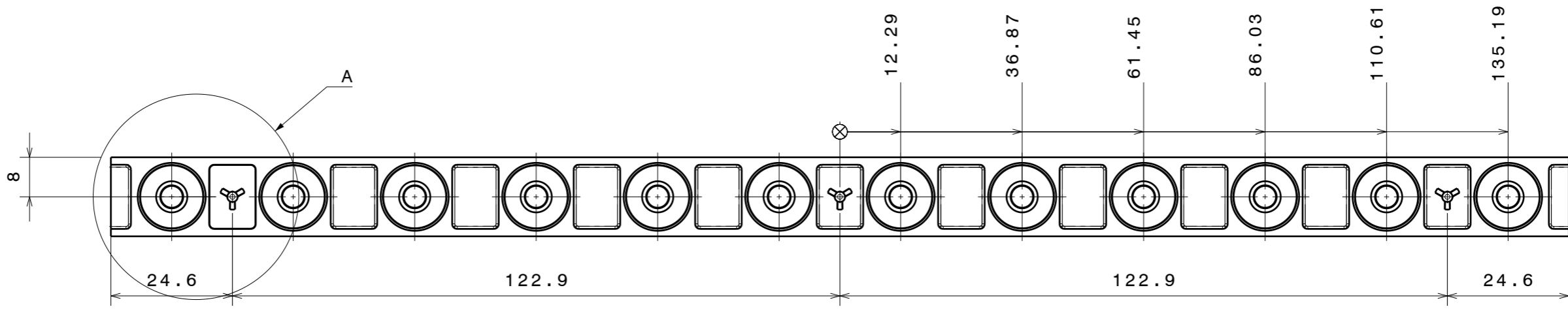
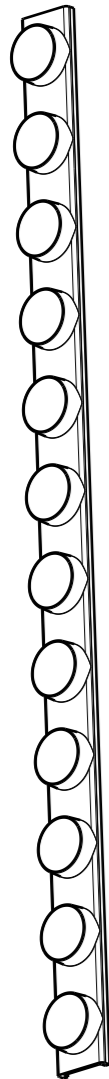
| LED | Viewing Angle | Light Beam | Efficiency | cd/lm | Connector |
|----------|---------------|------------|------------|-------|-----------|
| NF2x757A | 42+19 deg | Oval | 82 % | - | - |

H G F E D C B A

4

4

Isometric view
Scale: 1:2



Generic PCB model - guideline

LED Position

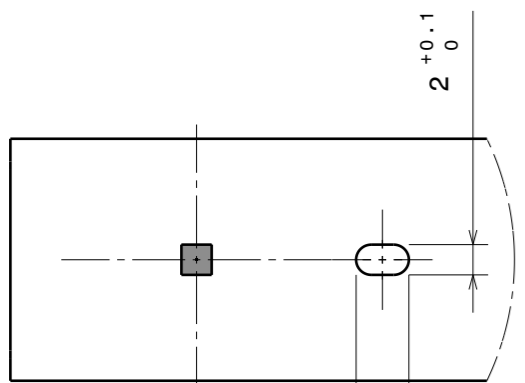
3.5 ± 0.1 Oblong

2

2

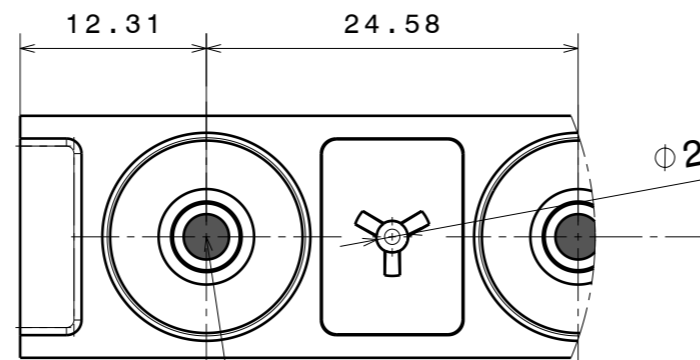
1

1



Detail B
Scale: 2:1

3.5 ± 0.1 Oblong



Detail A
Scale: 2:1

LED position

Tolerances if not otherwise shown
Linear measures: class C
according to DIN ISO 2768-1
Form and position: class L
according to DIN ISO 2768-2

THIRD ANGLE PROJECTION:

This drawing is the property of LEDiL Oy. It may not be reproduced, copied or communicated without a written agreement with LEDiL Oy."

| INDEX | PART NO | DESCRIPTION | MATERIAL | COLOUR |
|-------|-----------|-------------|----------|--------|
| 1 | Datasheet | VANESSA | PMMA | Clear |

LEDiL LediL Oy
Salorankatu 10
FIN 24240 SALO
Finland

DRAWING TITLE
Datasheet_VANESSA

SIZE PART NUMBER
A3 -

SCALE 1:1 WEIGHT (g) SHEET 1/1

H G B A

NOTE: The typical divergence will be changed by different color, chip size and chip position tolerance. The typical total divergence is the full angle measured where the luminous intensity is half of the peak value.