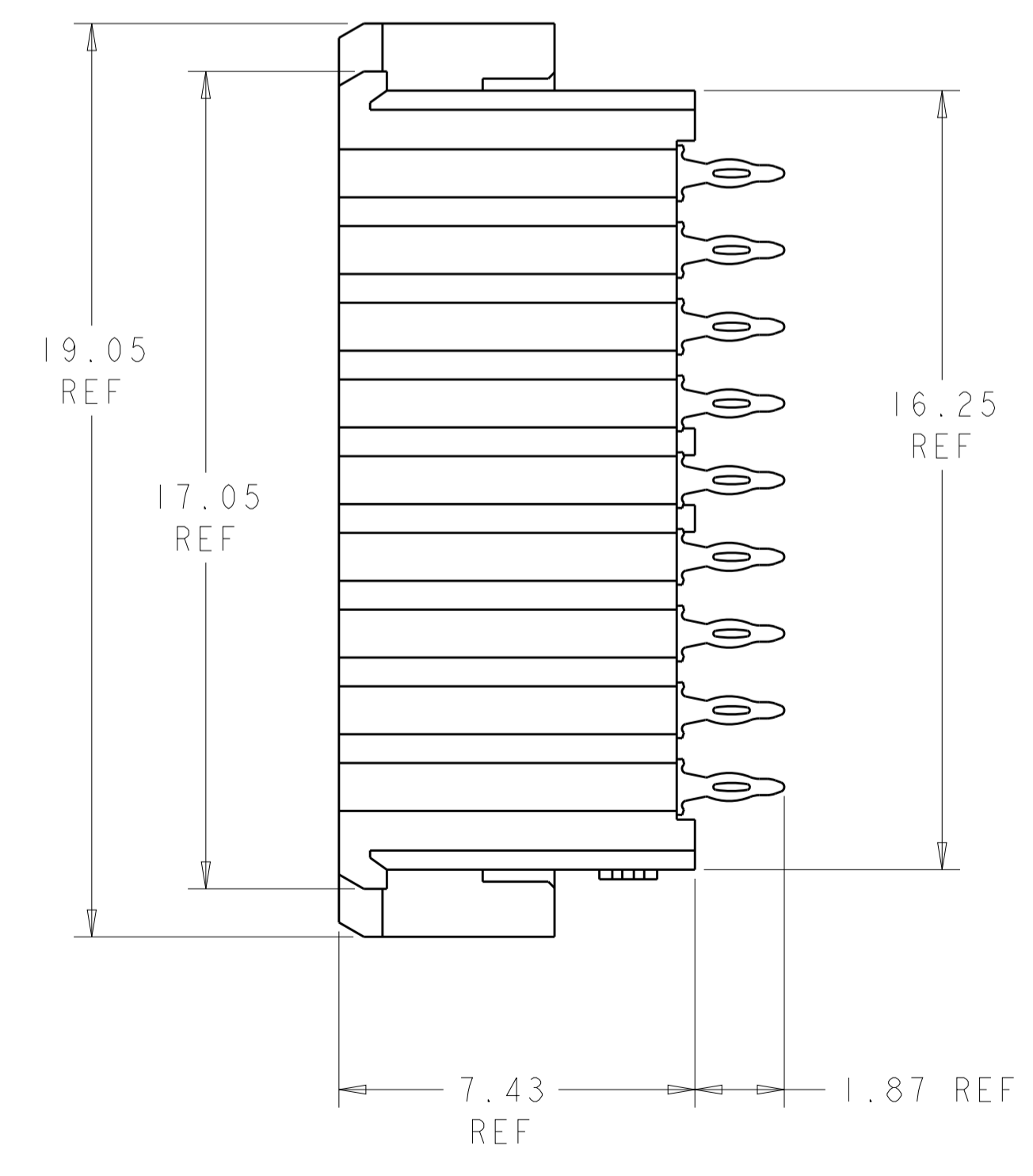
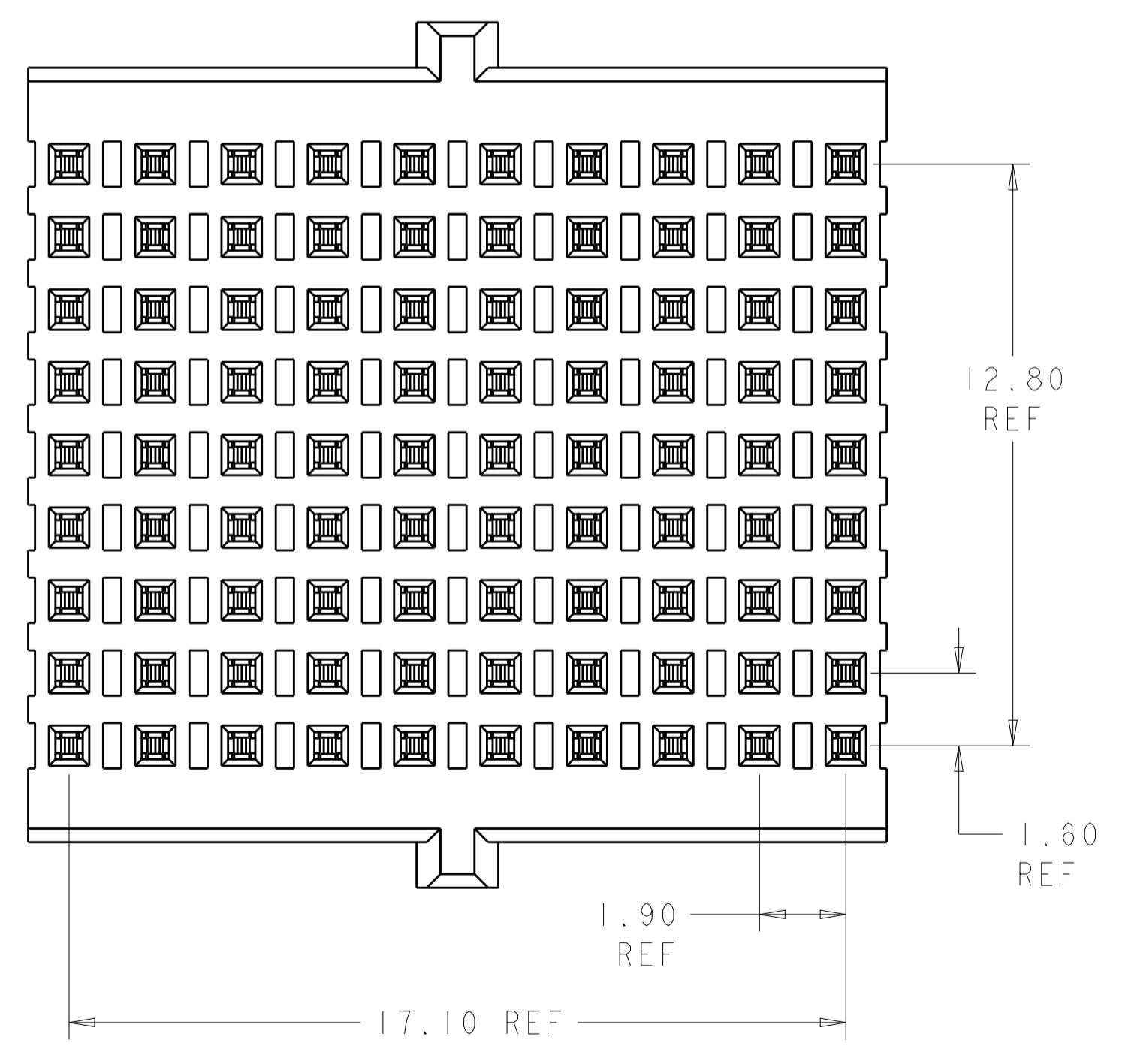
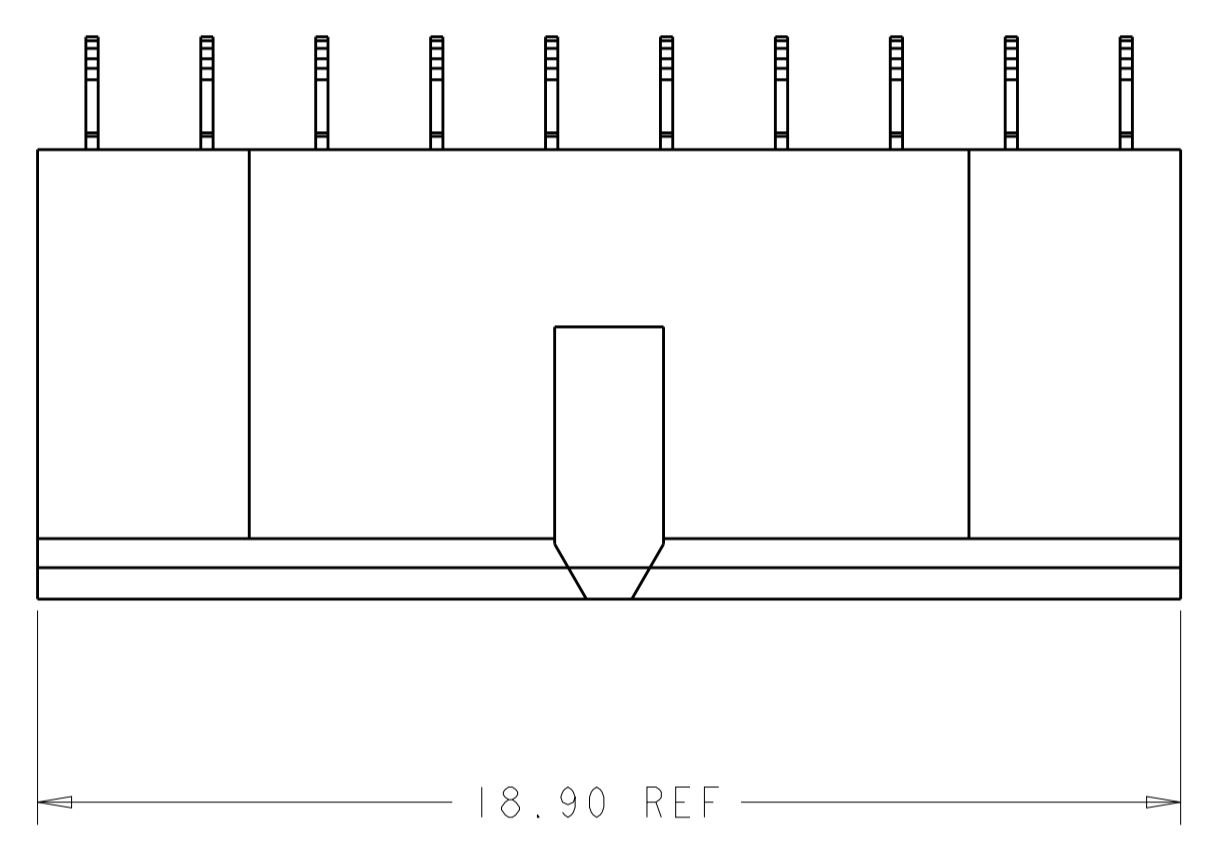
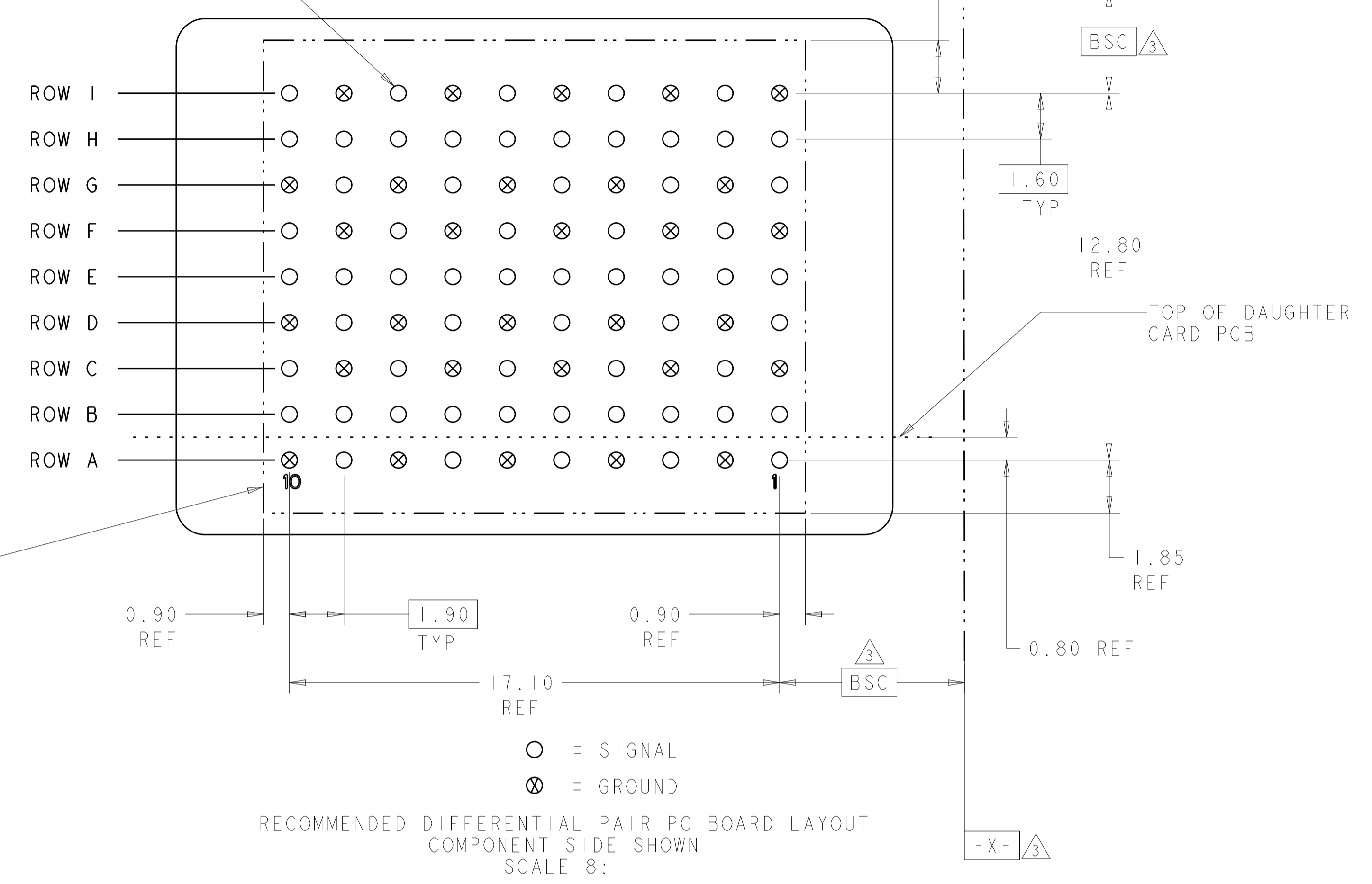


LOC		DIST		REVISIONS			
P	LTN	DESCRIPTION	DATE	DMN	APVD		
D		REV PER ECO 12-014265	8-7-12	CT	DH		
F		ECO-13-004755	26MAR2013	KG	DH		

- 1 MATERIAL:
CONTACT - COPPER ALLOY
HOUSING - LCP, COLOR - BLACK
- 2 FINISH:
MATING AREA: 1.27µm MIN GOLD OVER
1.25µm MIN NICKEL
- 3 DATUMS AND BASIC DIMENSIONS ESTABLISHED BY CUSTOMER.
- 4 REFERENCE APPLICATION SPEC 114-13267 FOR RECOMMENDED
PLATING THRU HOLE DIAMETER AND PLATING THICKNESSES.
- 5 FINISH:
COMPLIANT PIN AREA: 0.38µm MIN BRIGHT TIN LEAD OVER
1.27µm MIN NICKEL
- 6 FINISH:
COMPLIANT PIN AREA: 0.38µm MIN MATTE TIN OVER
1.27µm MIN NICKEL
- 7 FINISH:
COMPLIANT PIN AREA: 0.38µm MIN GOLD OVER
1.27µm MIN NICKEL

4 $\oplus \text{ } \varnothing 0.05 \text{ } \ominus \text{ } X \text{ } Y$
FINISHED HOLE SIZE
AND PLATED THRU HOLES



1	2000896-3
2	2000896-2
3	2000896-1
FINISH	PART NUMBER

THIS DRAWING IS A CONTROLLED DOCUMENT. DIMENSIONING AND TOLERANCING PER GPS (ISO STANDARDS). DIMENSIONS: mm. TOLERANCES UNLESS OTHERWISE SPECIFIED: 0 PLC ±, 1 PLC ±0.13, 2 PLC ±0.05, 3 PLC ±, 4 PLC ±, ANGLES ±.

DMN: D. BELACK 24JUN2009
CHK: A. TSANG 2-24-2009
APVD: M. McALONIS 2-24-2009

PRODUCT SPEC: 108-2409
APPLICATION SPEC: 114-13267
WEIGHT: 3.38 g -2x

CUSTOMER DRAWING

Fortis Zd. 10-COLUMN, 3-PAIR, VERTICAL CENTER MODULE ASSEMBLY

SCALE: 8:1 SHEET 1 OF 1 REV F