

DO NOT SCALE

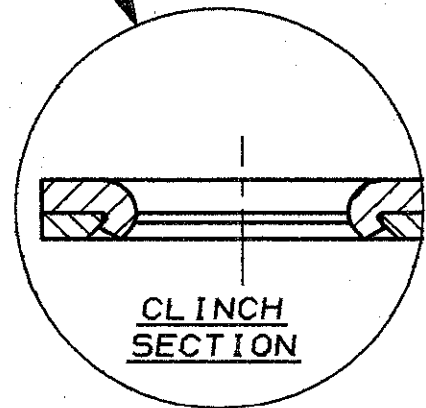
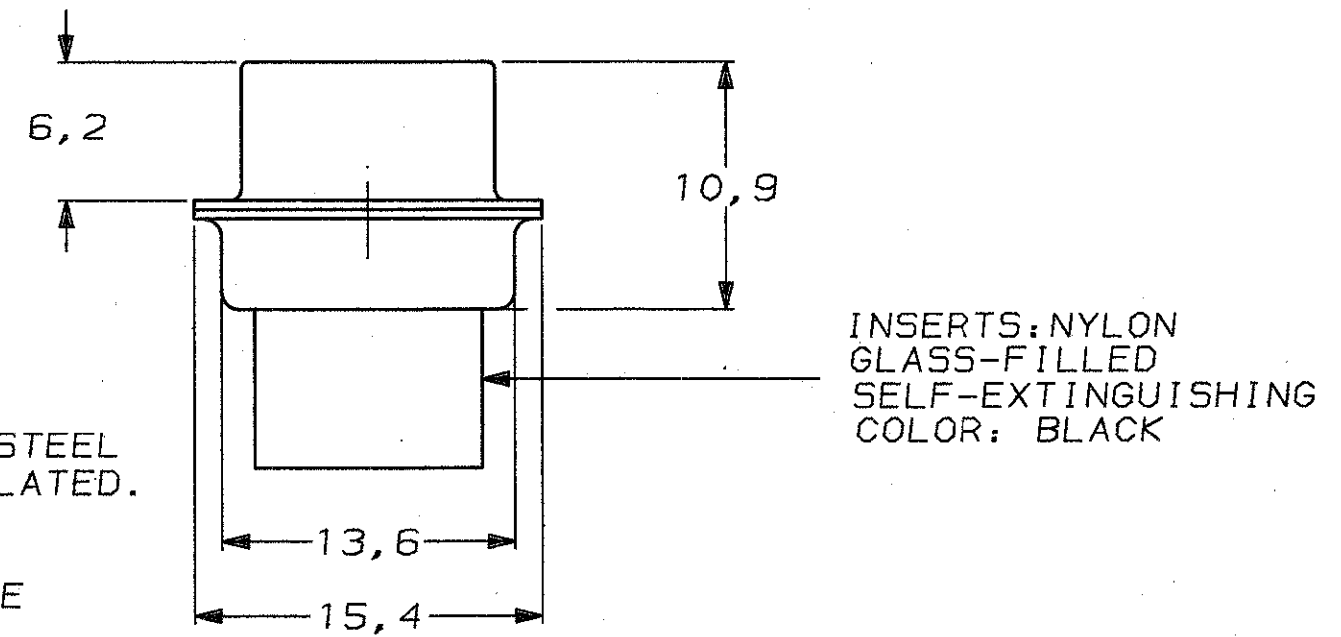
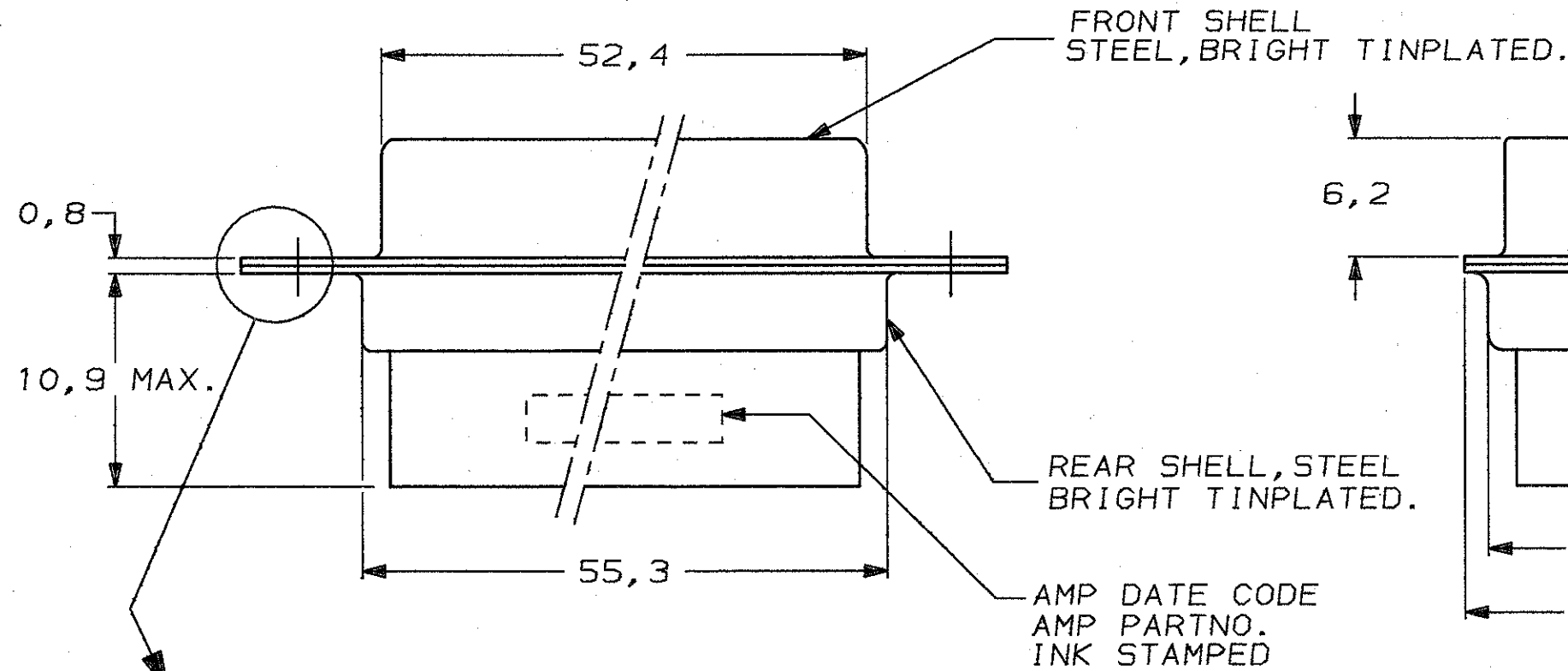
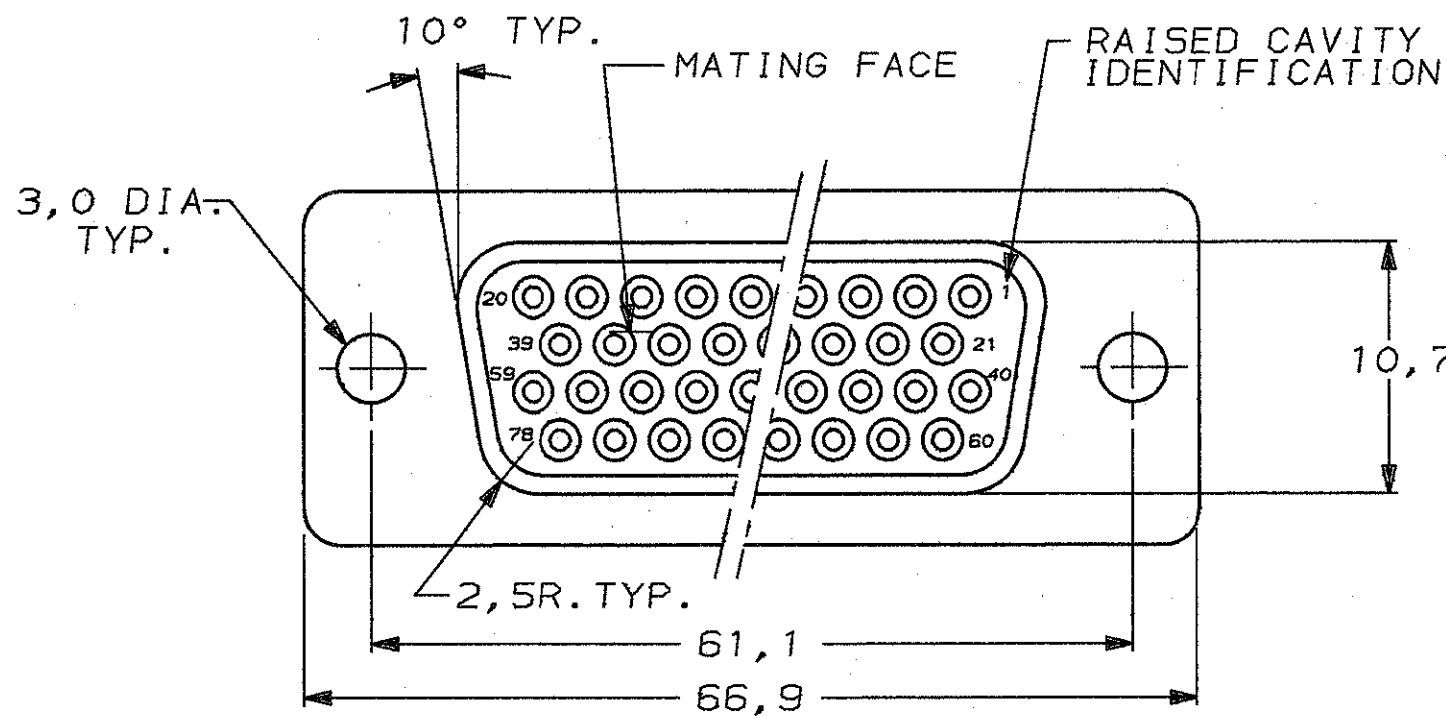
DIMENSIONS IN mm

METRIC

THIRD ANGLE  
PROJECTION



- NOTES: 1 THIS RECEPTACLE ACCEPTS SIZE 22 REC. CONTACTS.  
 2 RETENTION TINES ARE AN INTEGRAL PART OF INSERT.  
 3 CONTACT INSERTION/REMOVAL TOOL AMP P.N. 91285-1 IS RECOMMENDED FOR USE WITH THESE CONNECTORS:



	SEE DRAWING	SEE DRAWING	216168-1
	FINISH	MATERIAL	PARTNUMBER
CUSTOMER DRAWING	<b>AMP</b>		
	AMP-HOLLAND B.V. 's-Hertogenbosch, The Netherlands.		
FOR REFERENCE ONLY WILL NOT BE UPDATED	THIS DRAWING IS UNPUBLISHED RELEASED FOR PRODUCTION ,19		
	© COPYRIGHT 19 - BY AMP-HOLLAND B.V. ALL INTERNATIONAL RIGHTS RESERVED. AMP PRODUCTS MAY BE COVERED BY U.S. AND FOREIGN PATENTS AND/OR PATENTS PENDING.		
DR. J.V.D.HEIJDEN.	DATE 07-12-88	WIRE RANGE -	NAME HDP-22 REC. CONNECTOR, SIZE 5, (78 POSITION)
CHK. <i>C. Wilburg</i>	DATE 2-1-89	INSUL. RANGE -	REV. DATE 19 11 87
APP. -	DATE 4.1.89	SIZE A3	SHEET 1 OF 1
		DWG. No.	C-216168
			REV. LTR. 0

8 | 7 | 6 | 5 | 4 | 3 | 2 | 1