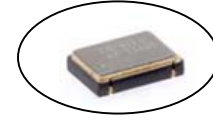


WLAN Clock Oscillator with Standby Feature

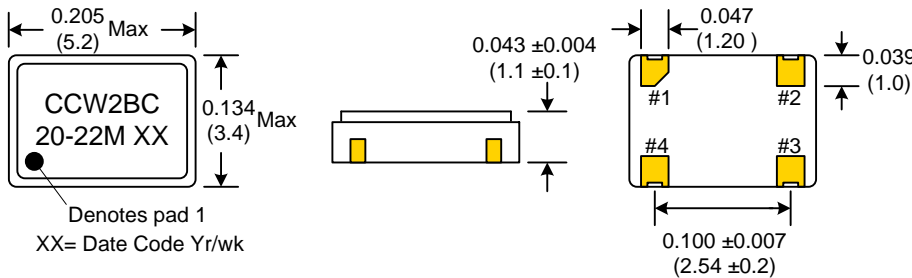
CCWLAN-2BC-20-22.000 3.2x5 mm SMD, 3.3V, HCMOS

Frequency:	22.000 MHz
Frequency Stability:	±20ppm Max
Temperature Range:	
Operating:	-20°C to 70°C
Storage:	-45°C to 90°C
Input Voltage:	3.3V ±5%
Input Current:	20mA Max
Standby Current:	10uA Max
Output:	HCMOS
Symmetry:	45/55% Max @ 50% Vdd
Rise/Fall Time:	6ns Max @ 10% to 90% Vdd
Logic:	"0" = 10% Vdd Max "1" = 90% Vdd Min
Load:	15pF
Start-Up Time:	10mS Max
Disable Time:	100nS Max
Enable Time:	10mS Max
Aging:	<3ppm 1 st /yr, 1ppm every year thereafter

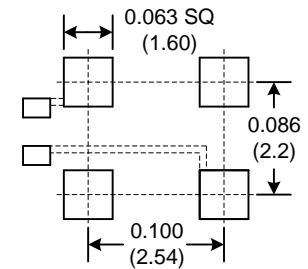


Mechanical:	
Shock:	MIL-STD-883, Method 2002, Condition B
Solderability:	MIL-STD-883, Method 2003
Vibration:	MIL-STD-883, Method 2007, Condition A
Solvent Resistance:	MIL-STD-202, Method 215
Resistance to Soldering Heat:	MIL-STD-202, Method 210, Condition I or J
Environmental:	
Thermal Shock:	MIL-STD-883, Method 1011, Condition A
Moisture Resistance:	MIL-STD-883, Method 1004

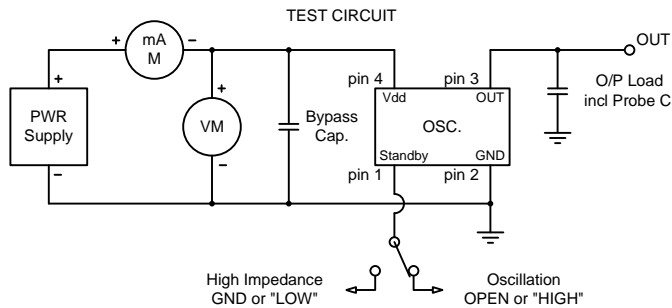
Dimensions inches (mm)
All dimensions are Max unless otherwise specified.



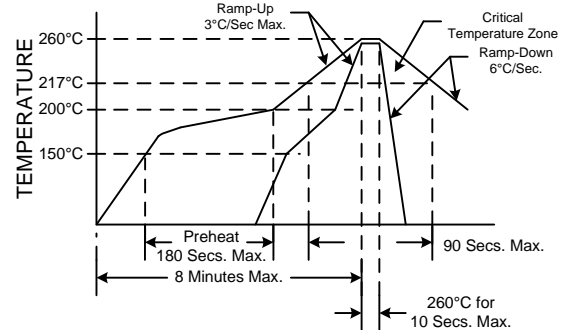
SUGGESTED PAD LAYOUT



0.01uF Bypass Capacitor Recommended



RECOMMENDED REFLOW SOLDERING PROFILE



NOTE: Reflow Profile with 240°C peak also acceptable.

Standby Function	
Function pin 1	Output pin
Open	Active
"1" level 0.7xVdd Min	Active
"0" level 0.3xVdd Max	High Z

PIN	Function
1	Standby
2	GND
3	OUT
4	VDD

Internal Pull-up resistor from pin 1 to pin 4 insures active operation if pin 1 is configured open (not connected).

Available on 16mm Tape and Reel
in quantities of 1,000 pcs.

PN: CCWLAN-2BC-20-22.000 Rev. B