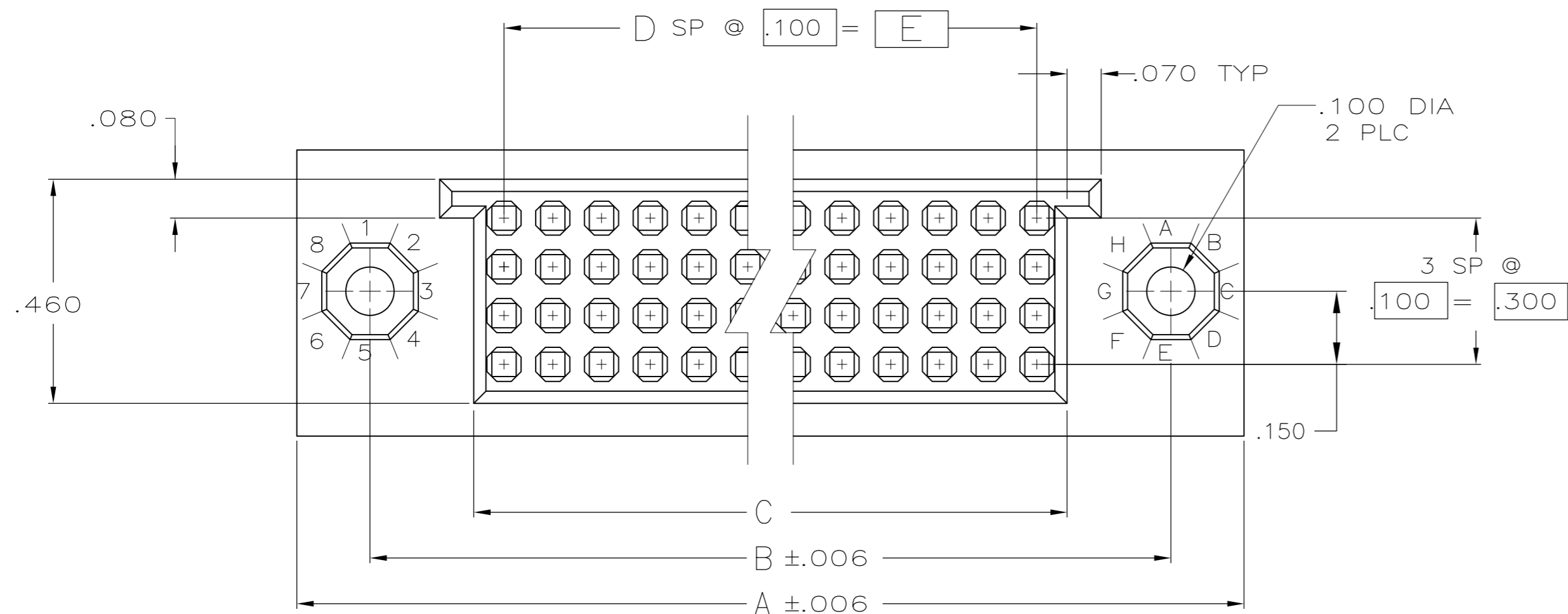
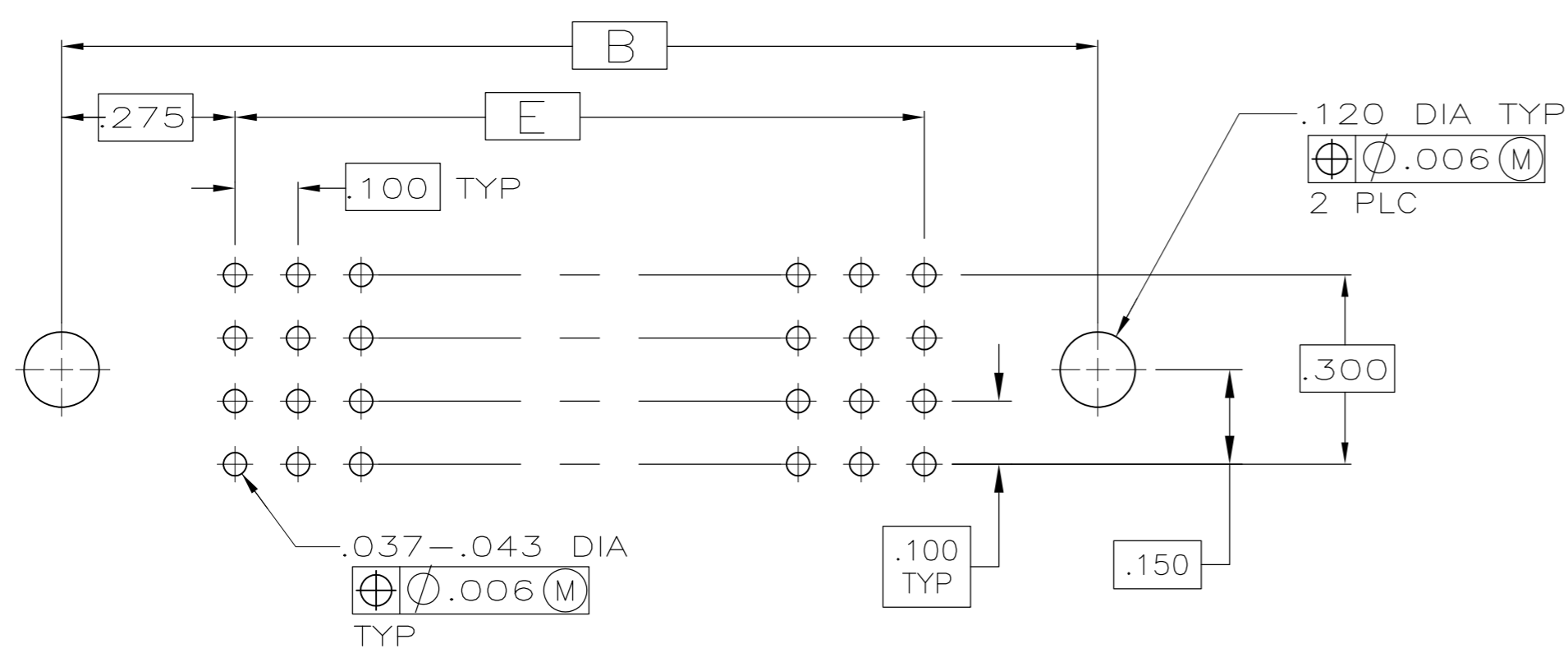
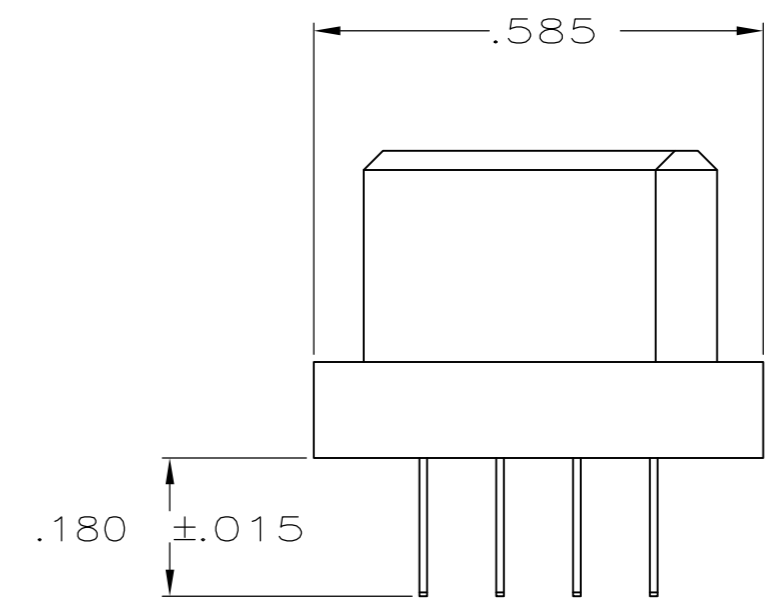
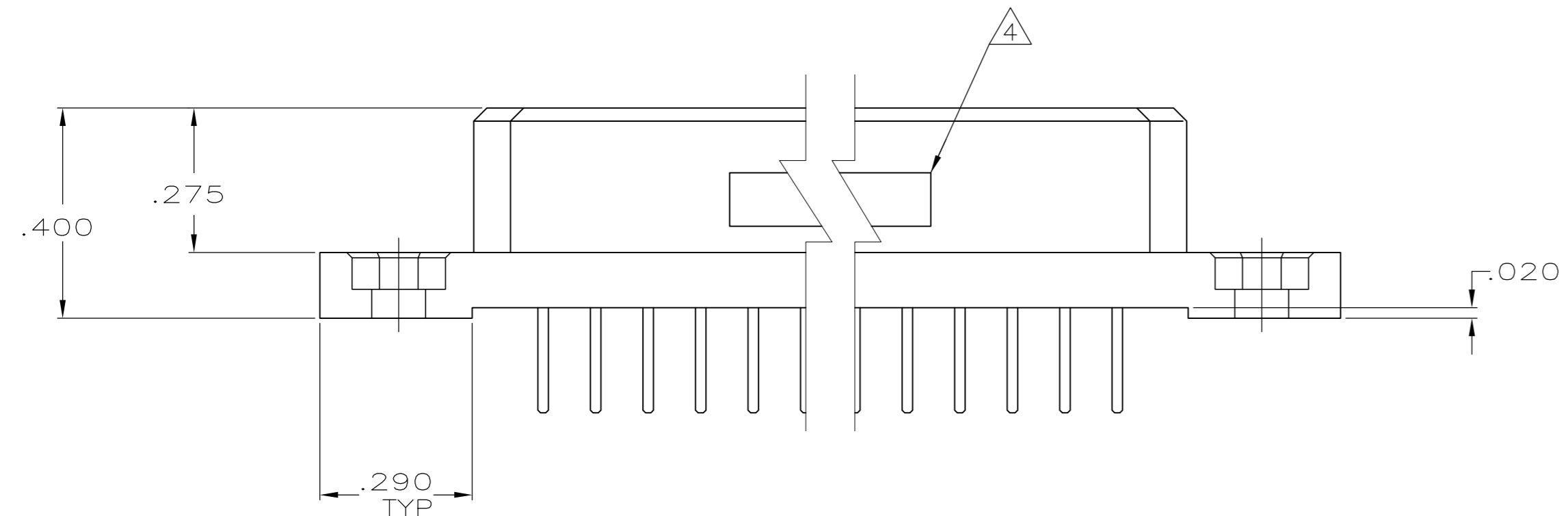


THIS DRAWING IS UNPUBLISHED. RELEASED FOR PUBLICATION
 © COPYRIGHT - By - ALL RIGHTS RESERVED.

LOC		DIST		REVISIONS			
P	LTR	DESCRIPTION	DATE	DWN	APVD		
E		REV PER ECO 12-009804	22JUN12	PY	DM		



- ① HSG MATL: POLYPHENYLENE SULFIDE, COLOR-NATURAL (BROWN)
- ② POST MATL: BERYLLIUM COPPER OR COPPER-NICKEL-SILICON PER UNS C70260.
- ③ POST FINISH: .000050-.000100 NICKEL UNDERPLATE ALL OVER. .000030 GOLD IN CONTACT AREA. TIN-LEAD-PLATED SOLDER TAILS.
- ④ TE, PART NO. & DATE CODE MARKED IN THIS APPROXIMATE AREA
- ⑤ GROUP "A" TESTING PER MIL-C-55302.



RECOMMENDED PC BOARD LAYOUT

OBSOLETE	⑤	3.100	31	3.224	3.650	3.950	128	533492-2
		3.900	39	4.024	4.450	4.750	160	533492-1
NOTE	E	D	C	B	A	POSN	PART NO	

THIS DRAWING IS A CONTROLLED DOCUMENT.		DWN	9/02/86	TE TE Connectivity			
DIMENSIONS: INCHES		CHK	9/03/86				
TOLERANCES UNLESS OTHERWISE SPECIFIED:		NAME		BOX II ASSEMBLY, 4-ROW, WITH .180 SOLDER TAILS			
0 PLC ± -		PRODUCT SPEC					
1 PLC ± -		APPLICATION SPEC		SIZE	CAGE CODE	DRAWING NO	RESTRICTED TO
2 PLC ± -		MATERIAL		A2	00779	C=533492	-
3 PLC ± -		FINISH		CUSTOMER DRAWING	SCALE	SHEET	REV
4 PLC ± -		FINISH			4:1	1 of 1	E
ANGLES ± -							

533492