

REL-OR-120AC/2X21


Order No.: 2834258

The figure shows version: REL-OR-230AC/2X21



<http://eshop.phoenixcontact.de/phoenix/treeViewClick.do?UID=2834258>

Pluggable octal relay with power contacts, 2 PDT, test button, mechanical switching position indication, coil voltage 120 V AC

Commercial data	
GTIN (EAN)	
sales group	G082
Pack	10 pcs.
Customs tariff	85364900
Catalog page information	Page 64 (IF-2009)

Product notes

WEEE/RoHS-compliant since:
05/01/2009



<http://www.download.phoenixcontact.com>
Please note that the data given here has been taken from the online catalog. For comprehensive information and data, please refer to the user documentation. The General Terms and Conditions of Use apply to Internet downloads.

Technical data

Coil side	
Nominal input voltage U_N	120 V AC
Nominal input current at U_{IN}	20 mA (at 50 Hz)
	18 mA (At 60 Hz)
Typical response time	5 ms ... 20 ms (AC, depending on phase relation)

Typical release time range	5 ms ... 20 ms (AC, depending on phase relation)
Coil resistance	1520 Ω +/-15% (at 20°C)

Contact side

Contact type	Single contact, 2-PDT
Contact material	Ag
Maximum switching voltage	250 V AC/DC
Minimum switching voltage	1 V
Maximum inrush current	(on request)
Min. switching current	10 mA
Limiting continuous current	10 A
Interrupting rating (ohmic load) max.	2500 VA (for 250 V AC)

General data

Width	34.5 mm
Height	34.5 mm
Depth	52.5 mm
Test voltage relay winding/relay contact	2.5 kV AC (50 Hz, 1 min.)
Test voltage relay contact/relay contact	2.5 kV AC (50 Hz, 1 min.)
Ambient temperature (operation)	-10 °C ... 40 °C
Ambient temperature (storage/transport)	-10 °C ... 70 °C
Operating mode	100% operating factor
Mechanical service life	10 x 10 ⁶ cycles
Standards/regulations	IEC 60664
Pollution degree	3
Surge voltage category	II
Mounting position	Any
Assembly instructions	On relay base PR3

Connection data

Type of connection	Plug connection
--------------------	-----------------

Certificates / Approvals

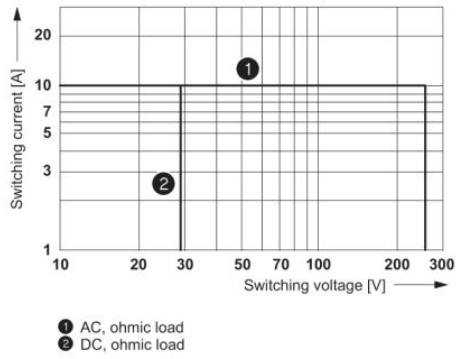


Certification

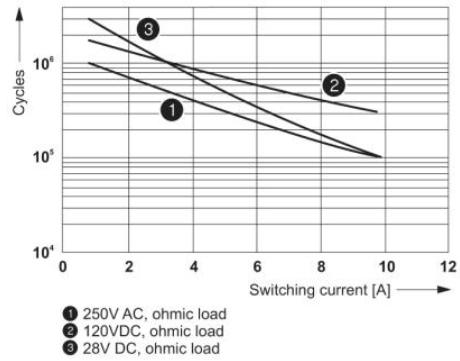
CUL, TUEV-RH, UL

Diagrams/Drawings

Diagram

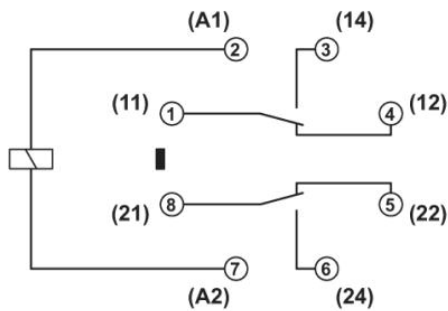


Interrupting rating



Electrical service life

Circuit diagram



Address

PHOENIX CONTACT Deutschland GmbH
Flachmarktstr. 8
32825 Blomberg, Germany
Phone +49 5235 3 12000
Fax +49 5235 3 41200
<http://www.phoenixcontact.de>



© 2011 Phoenix Contact
Technical modifications reserved;