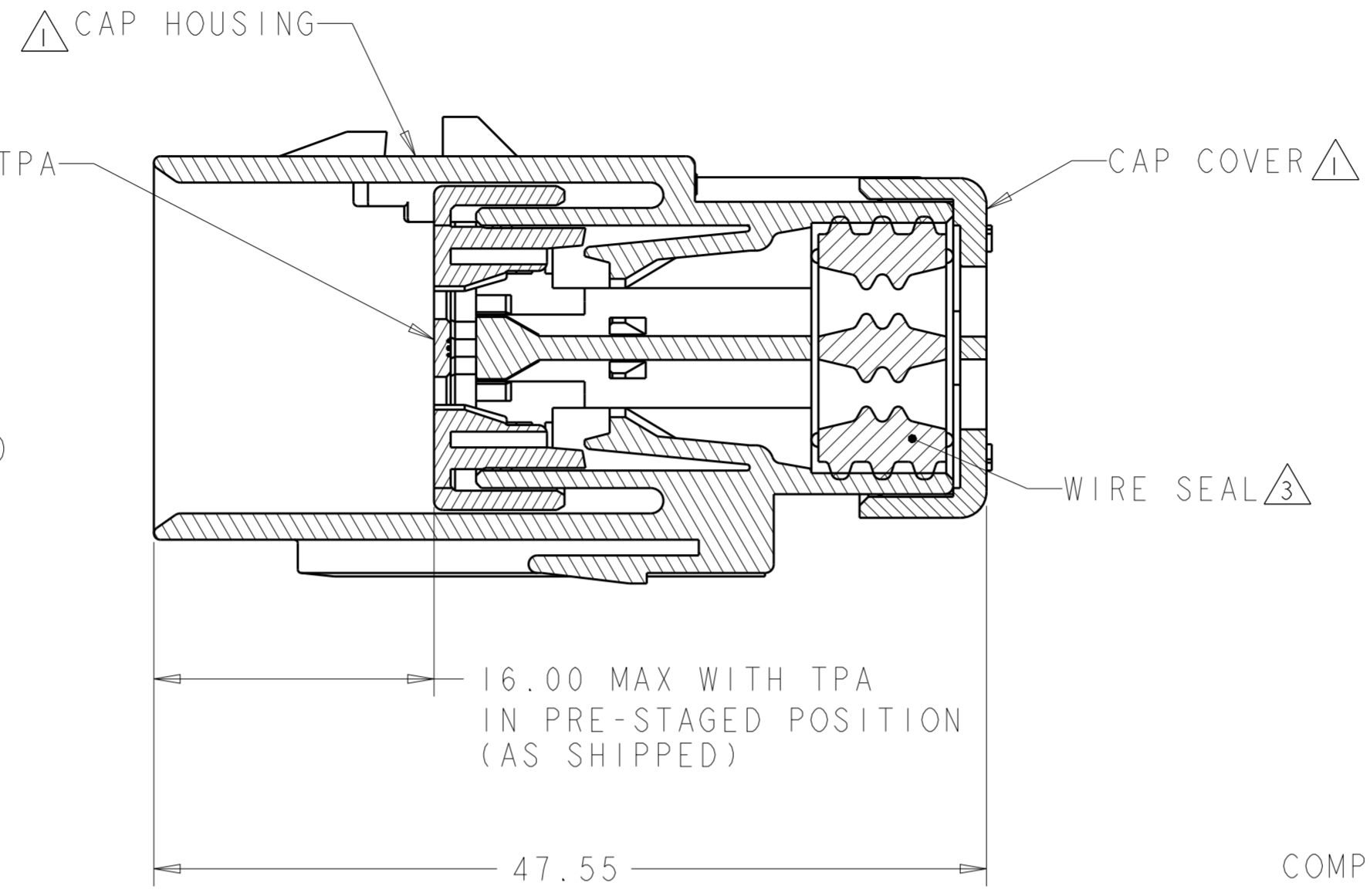
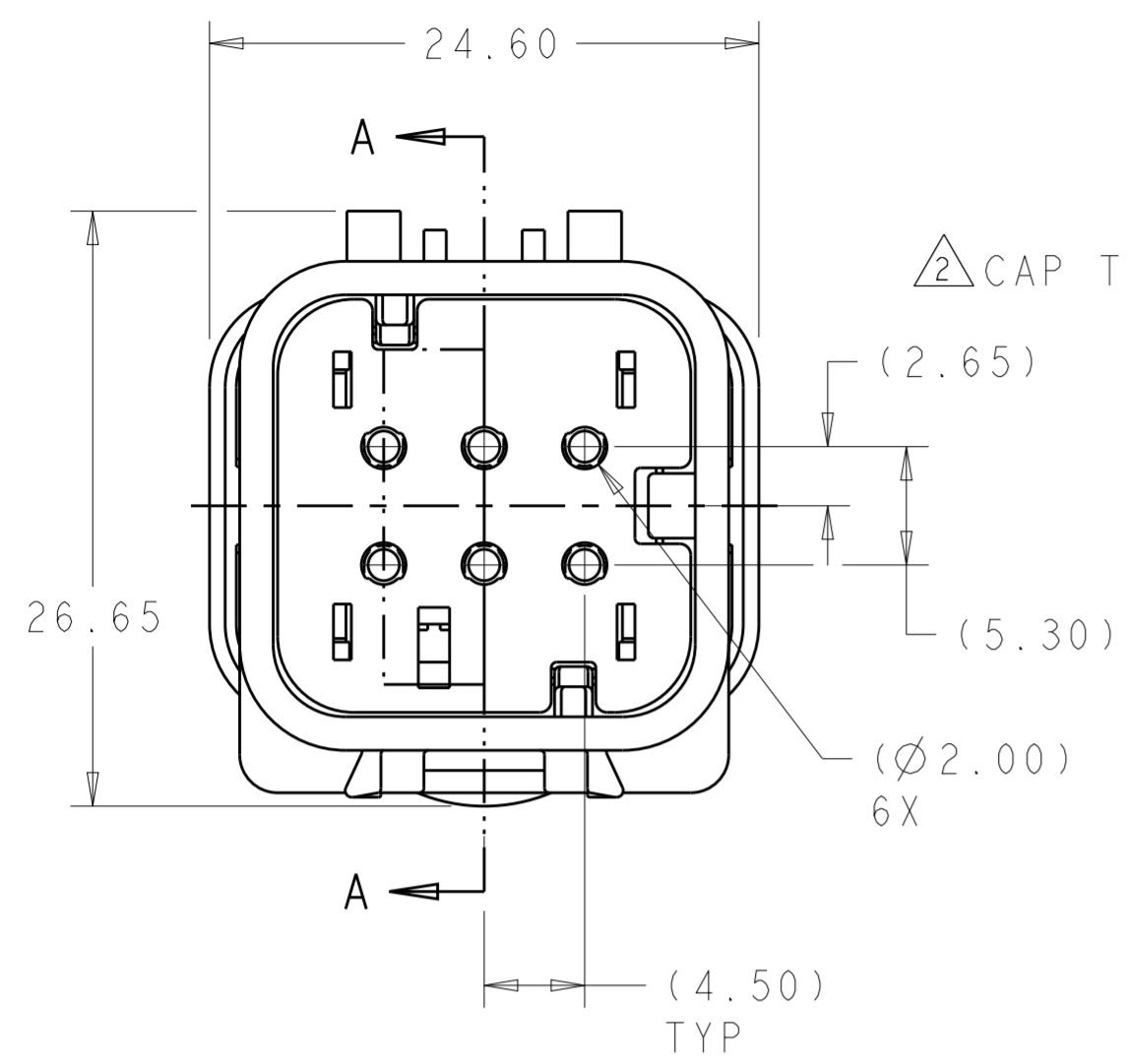


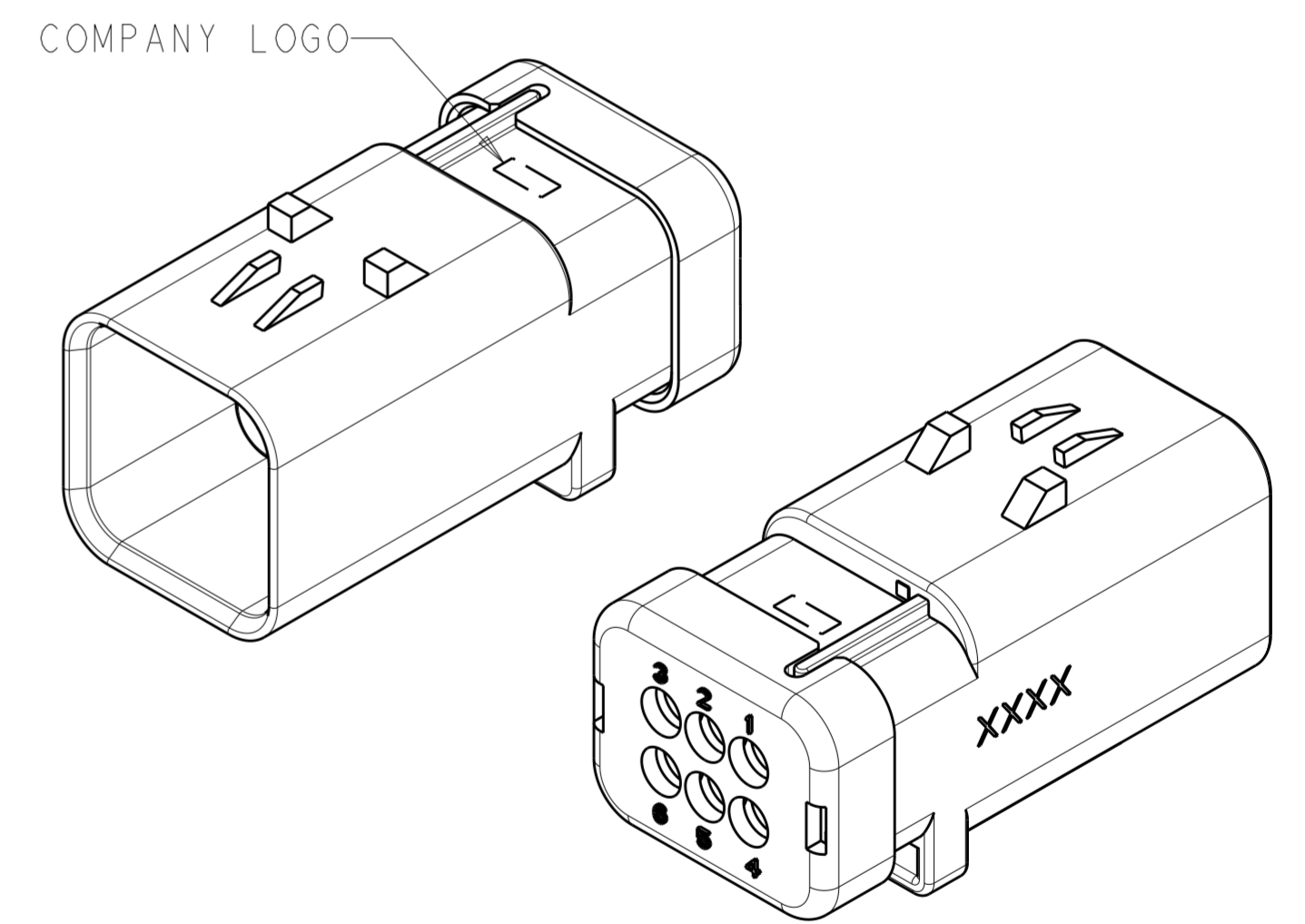
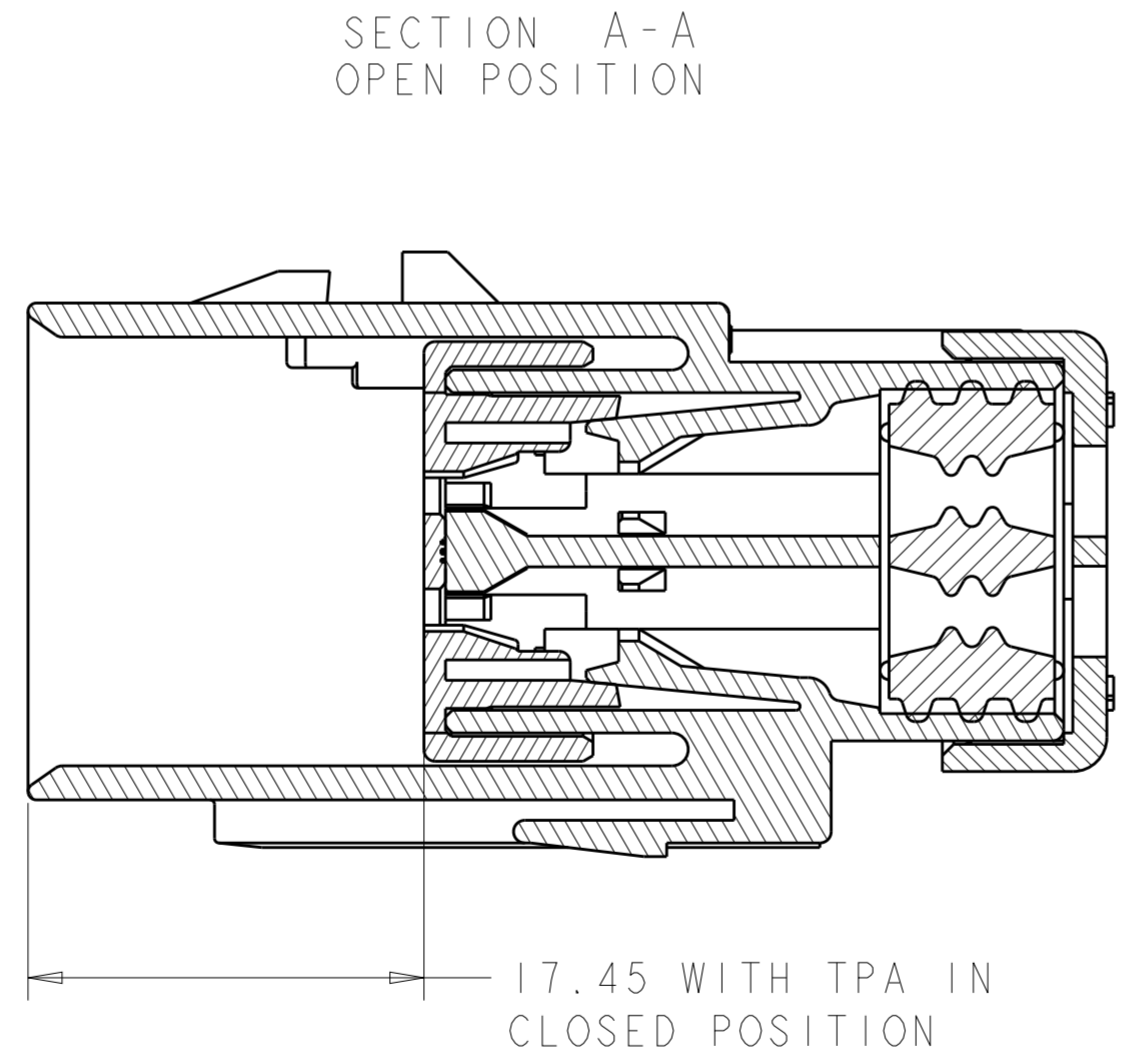
THIS DRAWING IS UNPUBLISHED. RELEASED FOR PUBLICATION 20
 © COPYRIGHT 20 BY - ALL RIGHTS RESERVED.

REVISIONS					
P	LTR	DESCRIPTION	DATE	DWN	APVD
A		RELEASED PER ECO-10-009942	28MAY2010	DD	RB
B		REVISED PER ECO-13-019865	27DEC2013	DR	RB



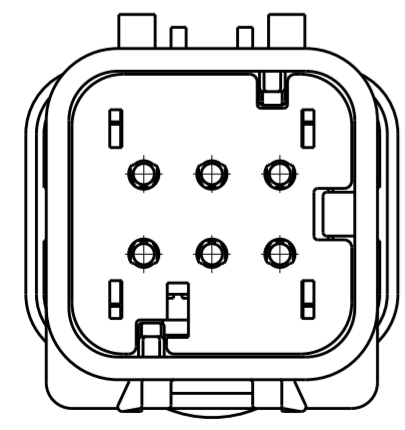
- ① HOUSING AND COVER MATERIAL: 25% GLASS FILLED THERMOPLASTIC; COLOR: NATURAL (BROWN)
- ② TPA MATERIAL: 15% GLASS FILLED THERMOPLASTIC COLOR: (SEE TABLE)
- ③ SEAL MATERIAL: SILICONE COLOR: MARINE BLUE
- 4. RECOMMENDED WIRE DIAMETER RANGE IS 2.18-3.67 MM

2098241-1 SHOWN
ORANGE TPA
KEY A

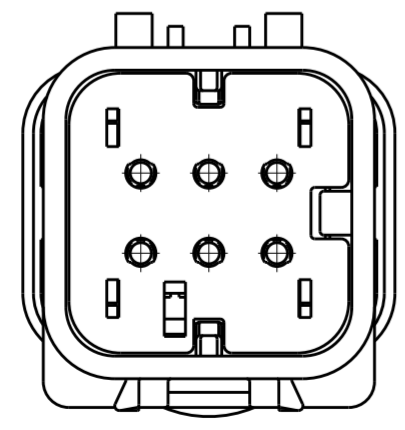


SCALE 2:1

C	BLUE	2098241-3
B	PURPLE	2098241-2
A	ORANGE	2098241-1
KEY	TPA COLOR	PART NUMBER



2098241-2
PURPLE TPA
KEY B
SCALE 2:1



2098241-3
BLUE TPA
KEY C
SCALE 2:1

SECTION A-A
CLOSED POSITION

THIS DRAWING IS A CONTROLLED DOCUMENT.

DIMENSIONS: mm	TOLERANCES UNLESS OTHERWISE SPECIFIED: 0 PLC ± 1 PLC ±0.5 2 PLC ±0.30 3 PLC ± 4 PLC ± ANGLES ± FINISH -	DWN 05 JUN 2009 RUSTY WORTHINGTON	NAME CAP ASSEMBLY, 6 POSITION, DUAL ROW, AMPSEAL 16, VO MATERIAL
		CHK 05 JUN 2009 ROGER BALTER	
MATERIAL	FINISH	APVD 05 JUN 2009 ROGER BALTER	SIZE CAGE CODE DRAWING NO RESTRICTED TO
		PRODUCT SPEC 108-2184	A200779 C-2098241
CUSTOMER DRAWING		WEIGHT 15.5±1g	SCALE 3:1 SHEET 1 OF 1 REV B

STE TE Connectivity