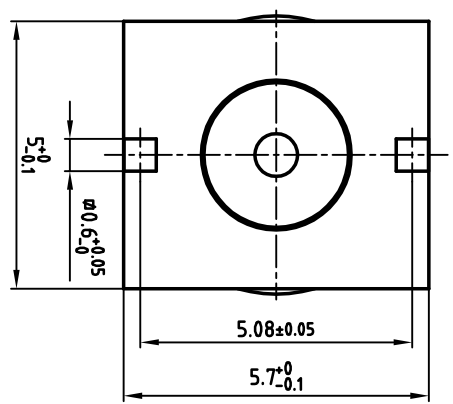
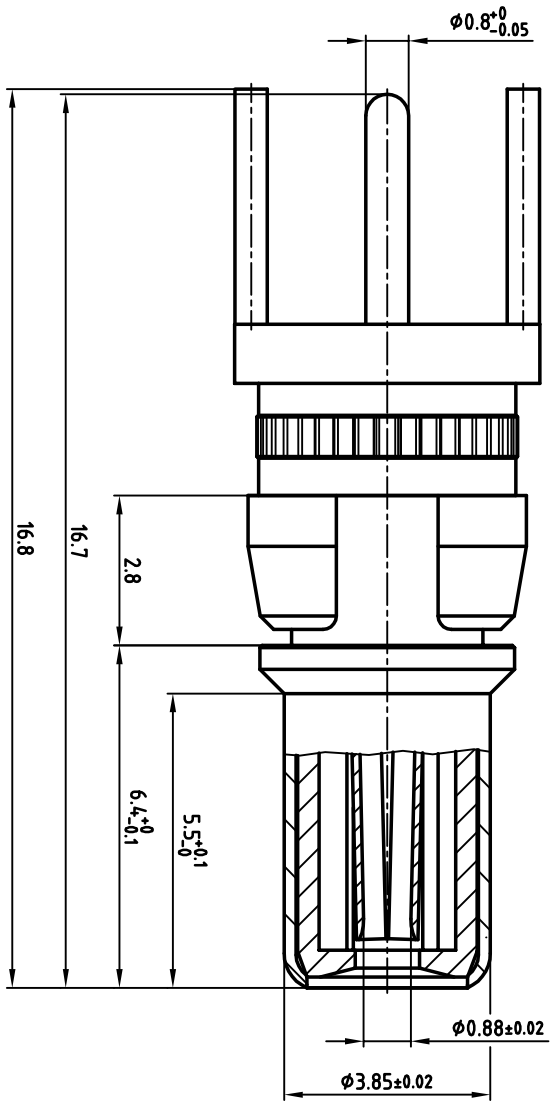


used for: D-SUB COMBINATION



THIS DRAWING MAY NOT BE COPIED OR REPRODUCED IN ANY WAY, AND MAY NOT BE PASSED ON TO A THIRD PARTY WITHOUT WRITTEN PERMISSION. OWNERSHIP AND COPYRIGHT OF CONEC GmbH DO NOT ALTER CAD DRAWING BY HAND

rev.	description	date	name
a	origin		

2007	date	name	tolerance
drawn	20.11.	Lehmentkühler	10:1
appld.	20.11.	Micklenbacher	
norm			

scale: 10:1
 title: COAXIAL CONTACT PLUG 75 OHM
 Straight PCB termination (86) with 3 pins
 D-SUB COMBINATION
 dwg no: 13K2A041A
 part no: 131J34019X
 DIN-A
 sh: 1/1

