

A

B

C

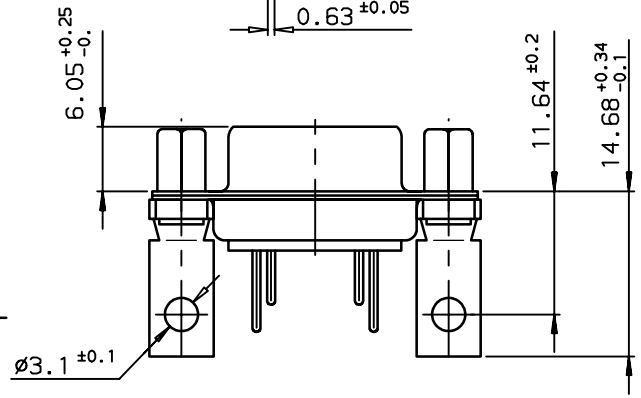
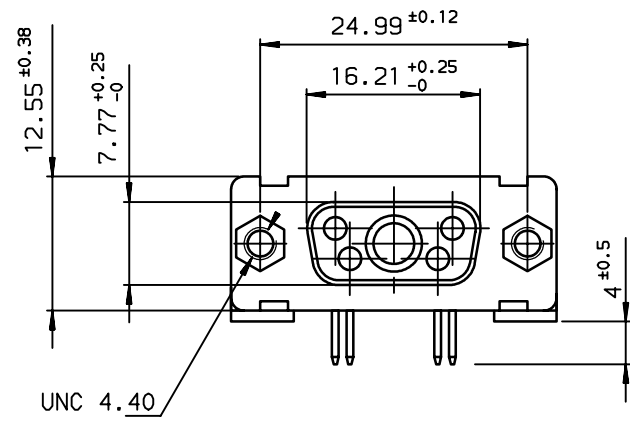
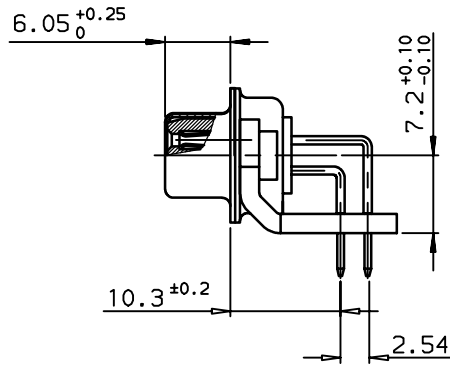
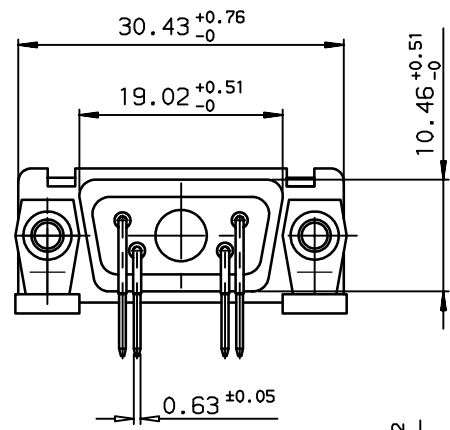
D

A

B

C

D



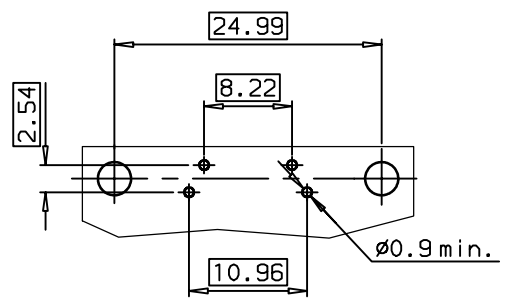
TIN LEAD PART NUMBER

DEV5W1S500M00
PART NUMBER

LEAD FREE PART NUMBER

DEV5W1S500M00LF
PART NUMBER

LAYOUT DIMENSIONS (after plating)
CONNECTOR SIDE VIEW



GENERAL CHARACTERISTICS AND ROHS INFORMATIONS:
SEE DRAWING C01-8639-0003

European Views

www.fciconnect.com		surface ISO 1302 ✓	tolerance std ISO 406 ISO 1101	projection mm	size A3	Scale 2
		TOLERANCES UNLESS OTHERWISE SPECIFIED		ANGULAR	size A3	Scale 2
Dr	BART	1997/01/02	0.X	±0.1	ECN	L506-0095
Eng	PESSON	1997/01/02	0.XX	±0.1	Spec ref	-
Chr	LEGARE	1997/01/02	0.XX	±0.1		
Appr	LEGARE	1997/01/02	0.XXX	±0.1		
		Product family	D-SUB			
		SOCKET CONNECTOR 5W1		dwg no	C01-8639-2077	
		RA TERMINATION		Rev.	C	
		catalog no			CUSTOMER	sheet 1 of 1

rev	ecn no	dr	date
A	-	BAR	2004/02/11
B	L505-001	MPE	2005/03/10
C	L506-0095	LGO	2006/06/21
-	-	-	-
-	-	-	-
-	-	-	-



Copyright FCI.