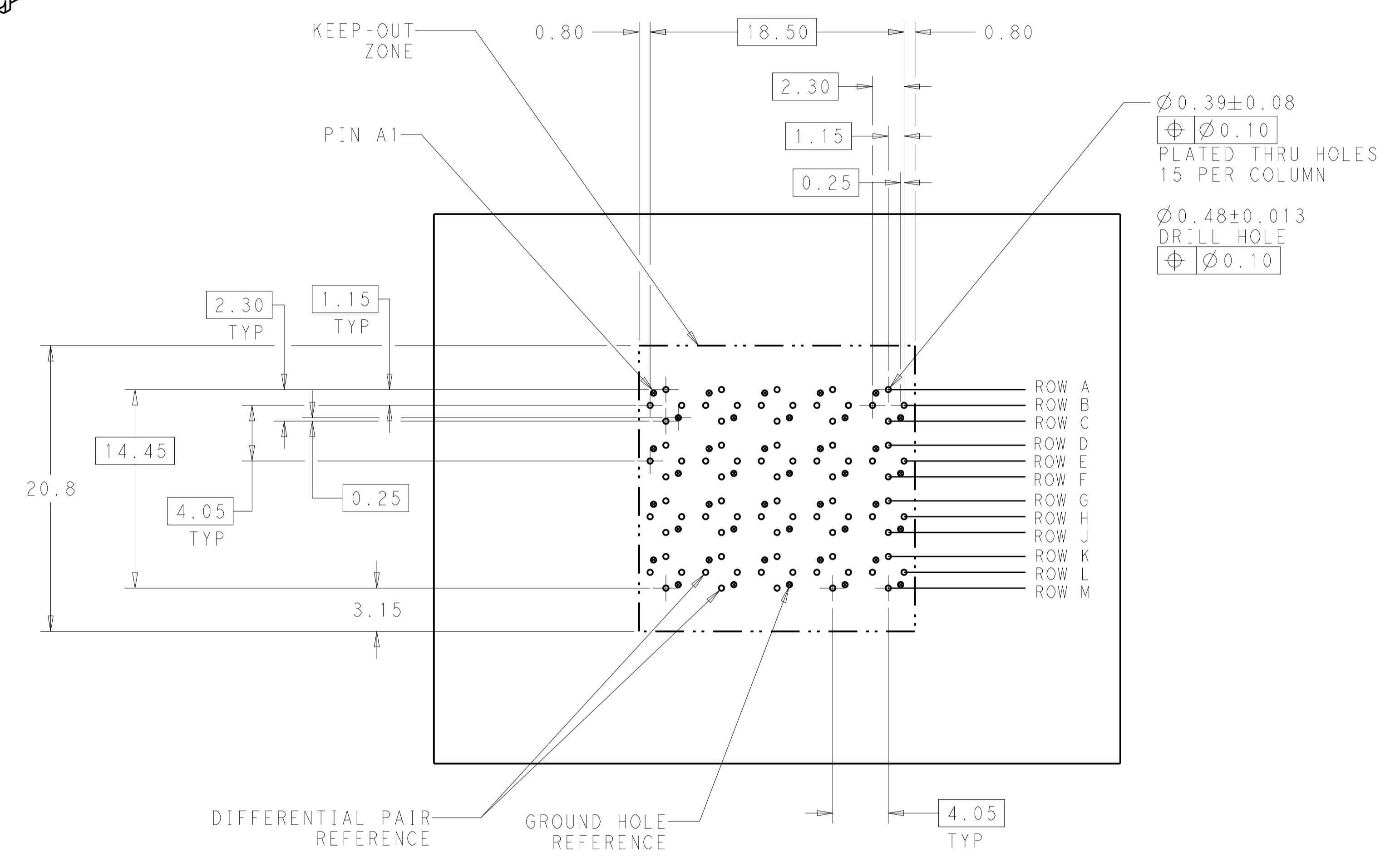
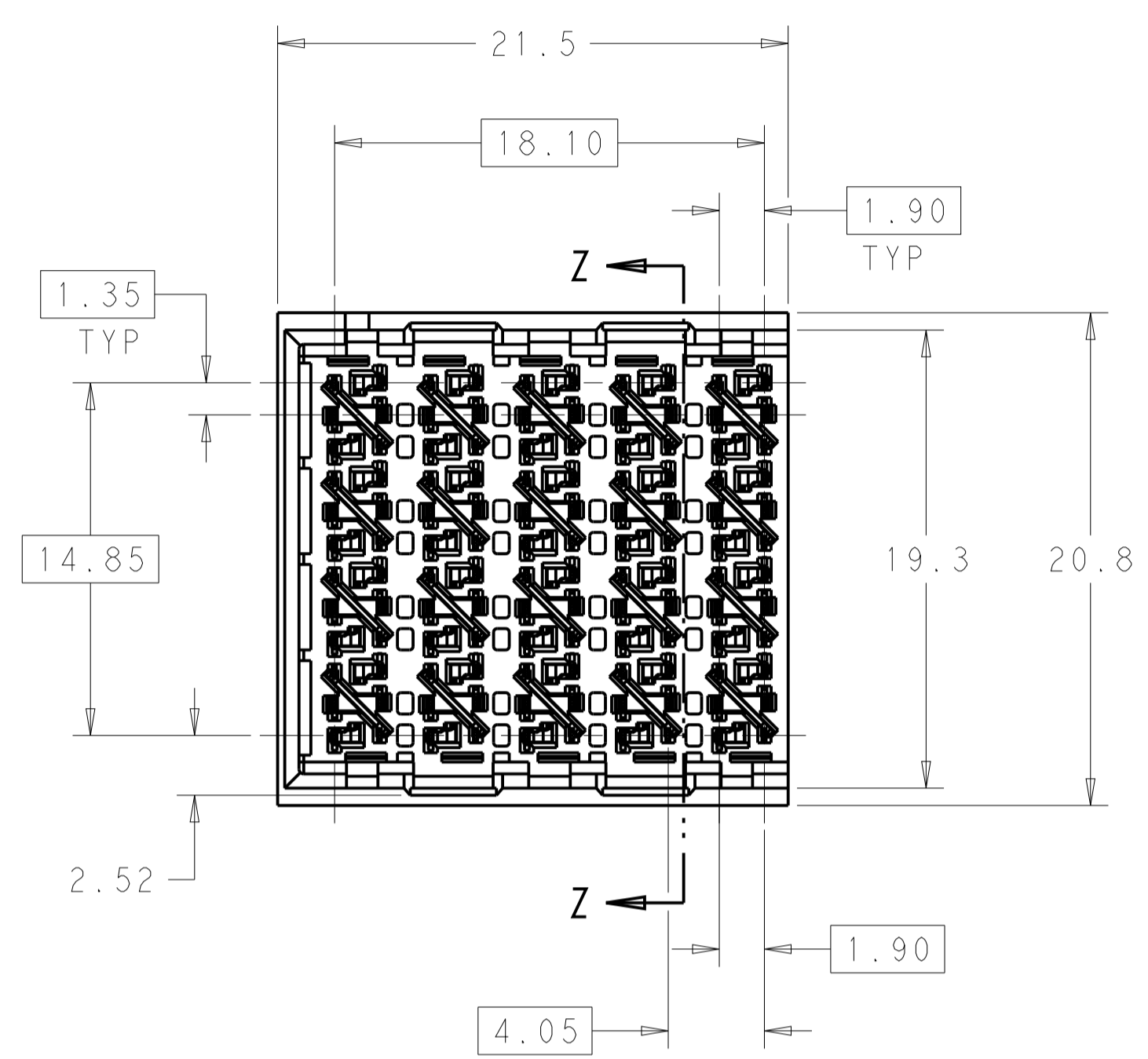
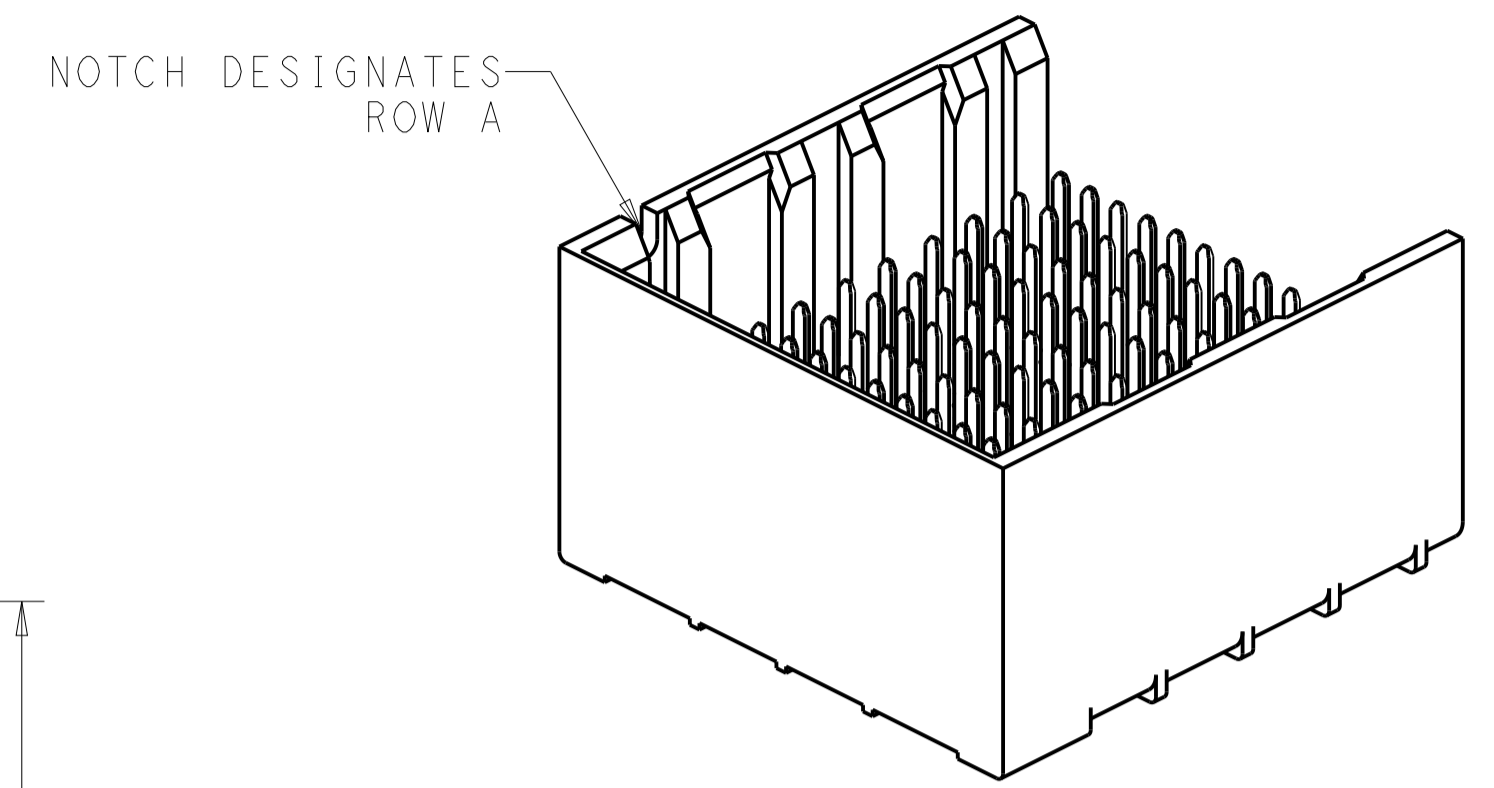


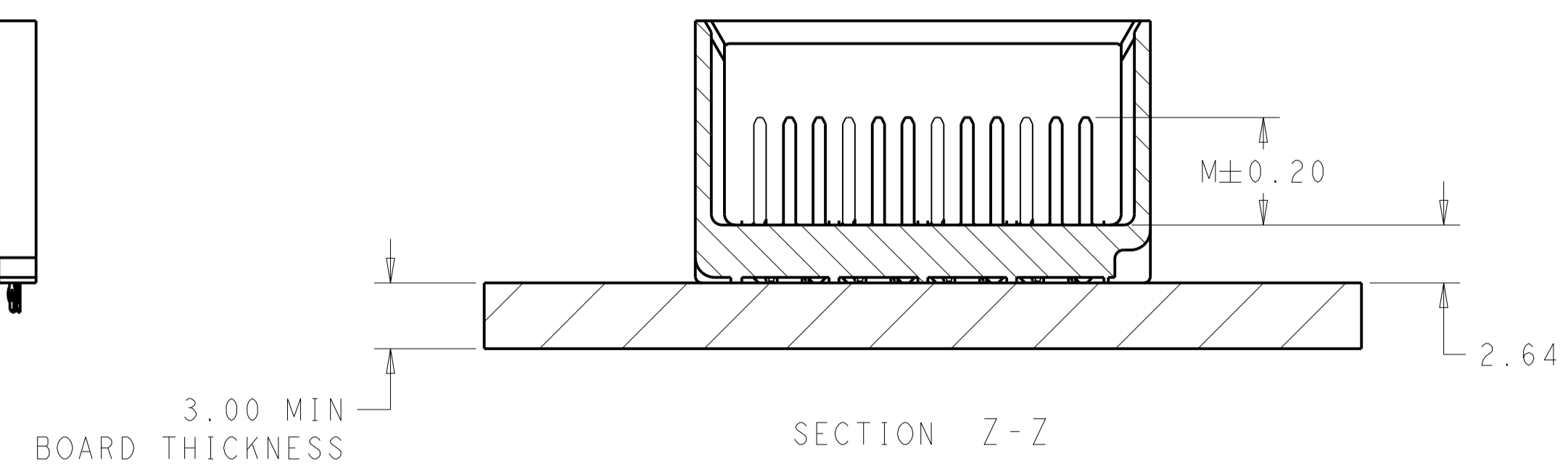
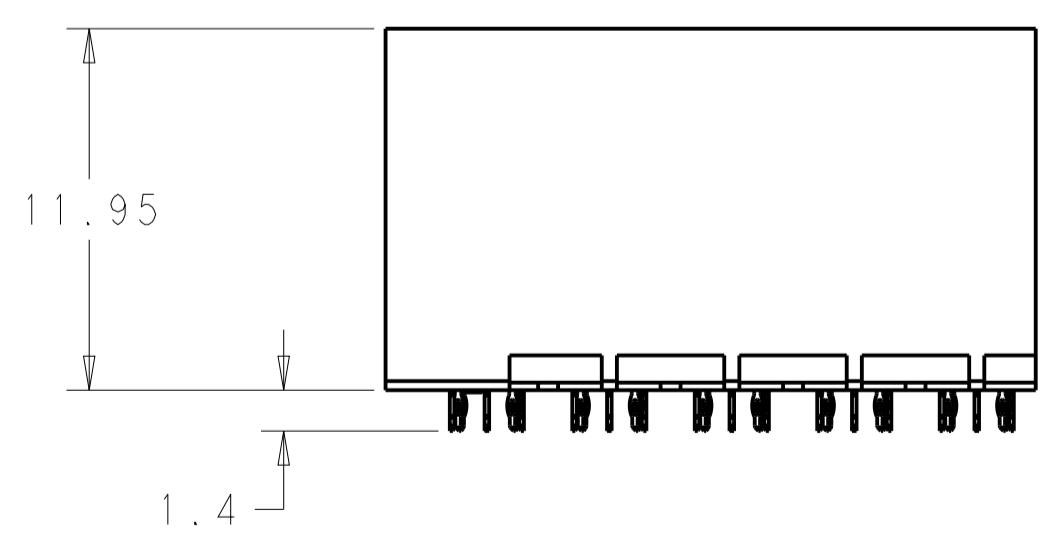
REVISIONS				
P.	LTN.	DESCRIPTION	DATE	APVD.
C		REVISED PER ECO-14-013271	08SEP2014	AP DD

**MATERIAL:**  
 HOUSING: LCP GLASS FILLED UL94V-0  
 TERMINALS: HIGH PERFORMANCE COPPER ALLOY

**FINISH:**  
 30μ" MIN GOLD IN CONTACT AREA  
 SELECTIVE TIN ON PCB TAILS.  
 NICKEL OVERALL.



LEFT GUIDED  
 BACKPLANE HOLE PATTERN  
 (CONNECTOR SIDE)  
 SCALE 4:1



FINISH	5.5	2132630-2
DIM M	4.9	2132630-1
PART NUMBER		

THIS DRAWING IS A CONTROLLED DOCUMENT.		DWN J. K. SHOBER 13SEP2010	REV 1
DIMENSIONS: mm		CHK J. EARY 13SEP2010	REV 1
TOLERANCES UNLESS OTHERWISE SPECIFIED:		APVD J. EARY 13SEP2010	REV 1
0 PLC	±	PRODUCT SPEC	
1 PLC	±0.25	APPLICATION SPEC	
2 PLC	±0.13	SIZE	A100779
3 PLC	±	CAGE CODE	C=2132630
4 PLC	±	DRAWING NO	2132630-1
ANGLES	±0	WEIGHT	
MATERIAL	SEE TABLE	Customer Drawing	SCALE 4:1 SHEET 1 OF 1 REV C