

4

3

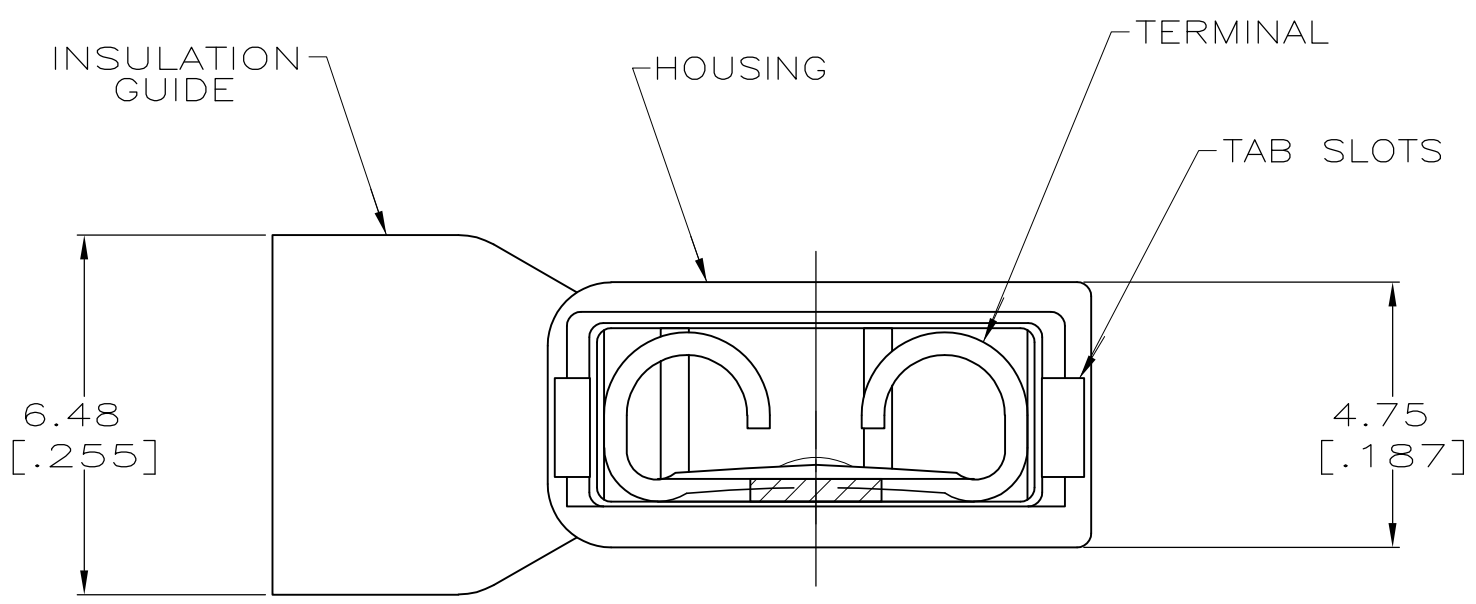
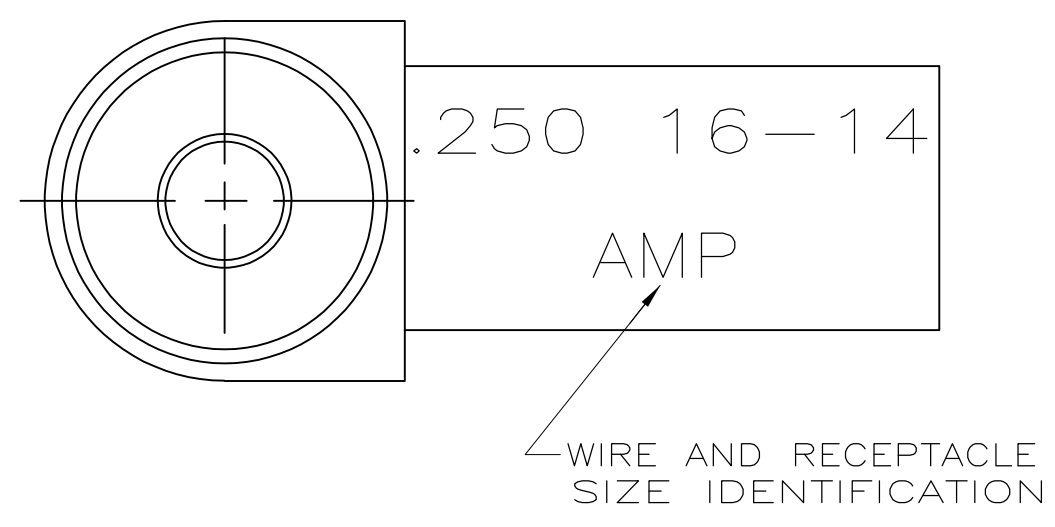
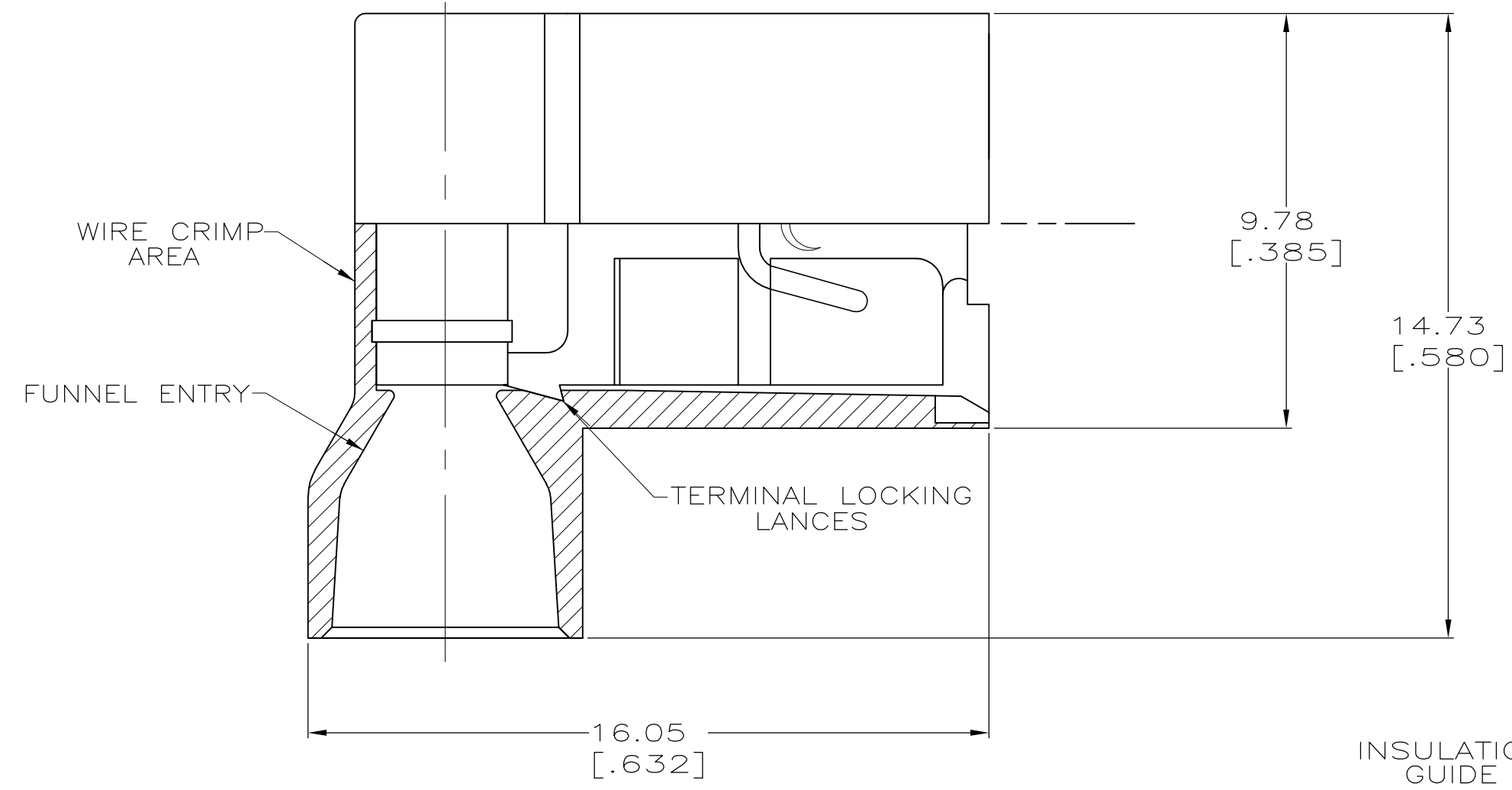
2

1

THIS DRAWING IS UNPUBLISHED. RELEASED FOR PUBLICATION
 © COPYRIGHT - By - ALL RIGHTS RESERVED.

LOC		DIST		REVISIONS			
P	LTR	DESCRIPTION	DATE	DWN	APVD		
AF	50	P1	REVISED PER ECO-11-004587	11MAR11	RK	HMR	

- 1 FITS 0.81±0.025 X 6.35 [.032±.001 X .250] TAB
- 2 WIRE SIZE: 1.3-2.0mm² [16-14 AWG], STRANDED ONLY.
STRIP LENGTH 7.94 [.312]
- 3 INSULATION SIZE: 4.70 [.185] MAX DIA.
- 4 SUPPLIED AS LOOSE PIECE



TYPE 6/6 NYLON	BLUE TRANSLUCENT	0.41 [.016] #4H BRASS	TIN	3-520133-2
MATERIAL	COLOR	MATERIAL	FINISH	PART NO
HOUSING		TERMINAL		
THIS DRAWING IS A CONTROLLED DOCUMENT.		DWN P FORTNEY 11/13/89	STE TE Connectivity	
DIMENSIONS: MM [INCHES]		CHK JR RUTH 11/13/89		
TOLERANCES UNLESS OTHERWISE SPECIFIED:		APVD DJ BRATINA 11/13/89	NAME	
0 PLC ± -		PRODUCT SPEC		
1 PLC ± -		108-2043		
2 PLC ± -		APPLICATION SPEC		
3 PLC ± 0.38 [.015]		114-2123		
4 PLC ± -		WEIGHT -		
ANGLES ± -		SIZE A2 CAGE CODE 00779 DRAWING NO C-520133 RESTRICTED TO -		
FINISH		MATERIAL SEE TABLE		
SEE TABLE		CUSTOMER DRAWING SCALE 10:1 SHEET 1 OF 1 REV P1		

520133