

CKCL22X7R1H104M085AL

TDK Item Description : CKCL22X7R1H104MT***S

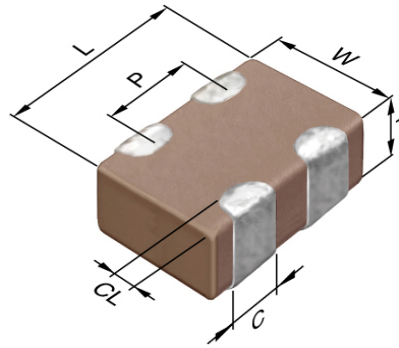


Application & Main Feature

Automotive Grade (2 in 1 Array)

Series

CKCL22(2012) [EIA CC0805]



Dimensions

L 2.00mm +/-0.15mm
 W 1.25mm +/-0.15mm
 T 0.85mm +/-0.15mm
 C 0.45mm Nom.
 P 1.00mm Nom.

Temperature Characteristic

X7R (-55 to 125 degC +/-15%)

Rated Voltage

1H (50Vdc)

Capacitance

100nF

Capacitance Tolerance

M (+/-20%)

Dissipation Factor

3% Max.

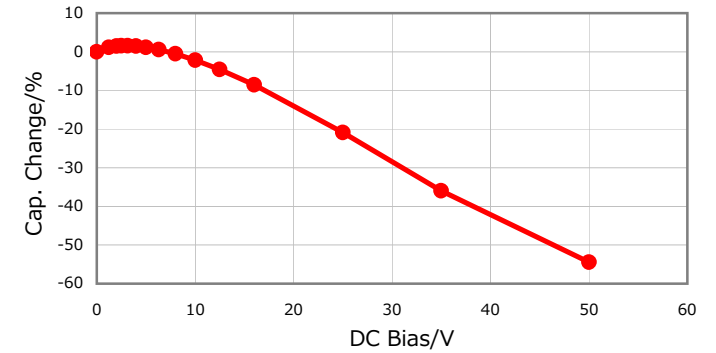
Insulation Resistance

5Gohm Min.

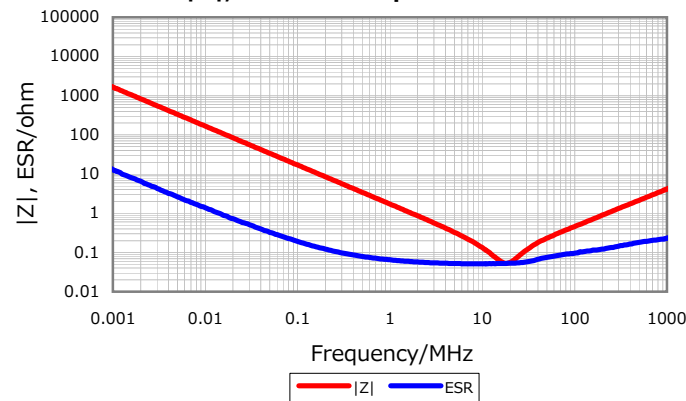
AEC-Q200

Yes

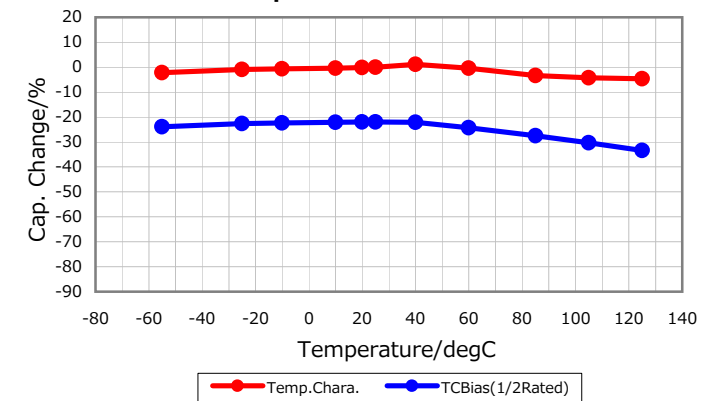
DC Bias Characteristic



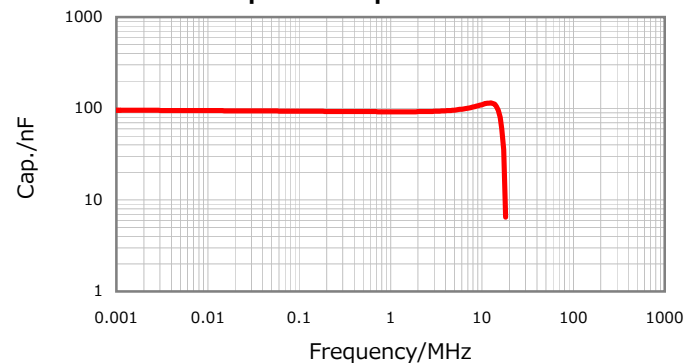
|Z|, ESR vs. Freq. Characteristics



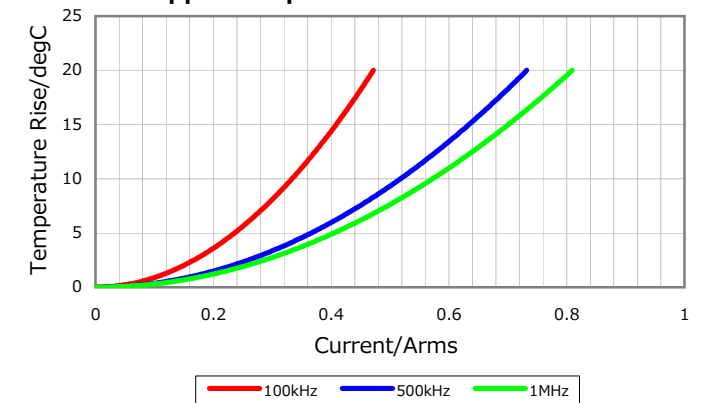
Temperature Characteristics



Cap. vs. Freq. Characteristic



Ripple Temperature Rise Characteristics



Characterization Sheet (Multilayer Ceramic Chip Capacitors)



All specifications are subject to change without notice.

January 4, 2016