

NOTES:

1. MATERIAL AND FINISH:

BODIES: BeCu, WHITE BRONZE PLATING
 CONTACT: BeCu, GOLD PLATING OVER WHITE BRONZE
 RETAINING RING: BeCu, GOLD PLATING OVER WHITE BRONZE
 CAP: BeCu, BeCu, WHITE BRONZE PLATING
 FERRULE: SEAMLESS COPPER TUBING, WHITE BRONZE PLATING
 INSULATOR : PTFE

2. ELECTRICAL:

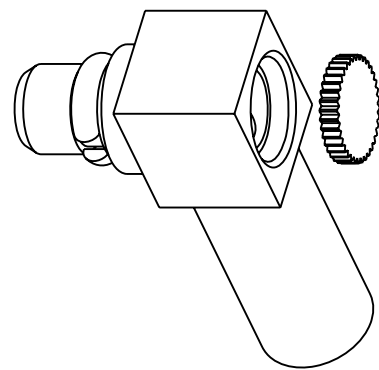
A. IMPEDANCE: 50 OHM
 B. FREQUENCY RANGE: DC - 6 GHz
 C. DIELECTRIC WITHSTANDING VOLTAGE: 500 VRMS, MIN.

3. MECHANICAL:

A. DURABILITY: 500 CYCLES MIN.
 B. TEMPERATURE RANGE: -65° C TO 165° C
 C. CRIMP WITH .105 INCH HEX

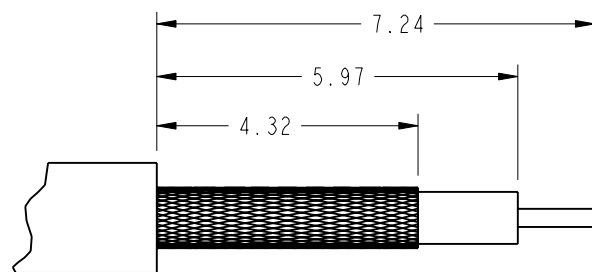
4. PACKAGING:

A. QUANTITY: BULK PACK 100
 B. MARKING: BAG TO BE MARKED
 "AMPHENOL, 908-NM43200 100 PIECES, AND DATE CODE"
 AND "NON-MAGNETIC CONNECTORS"

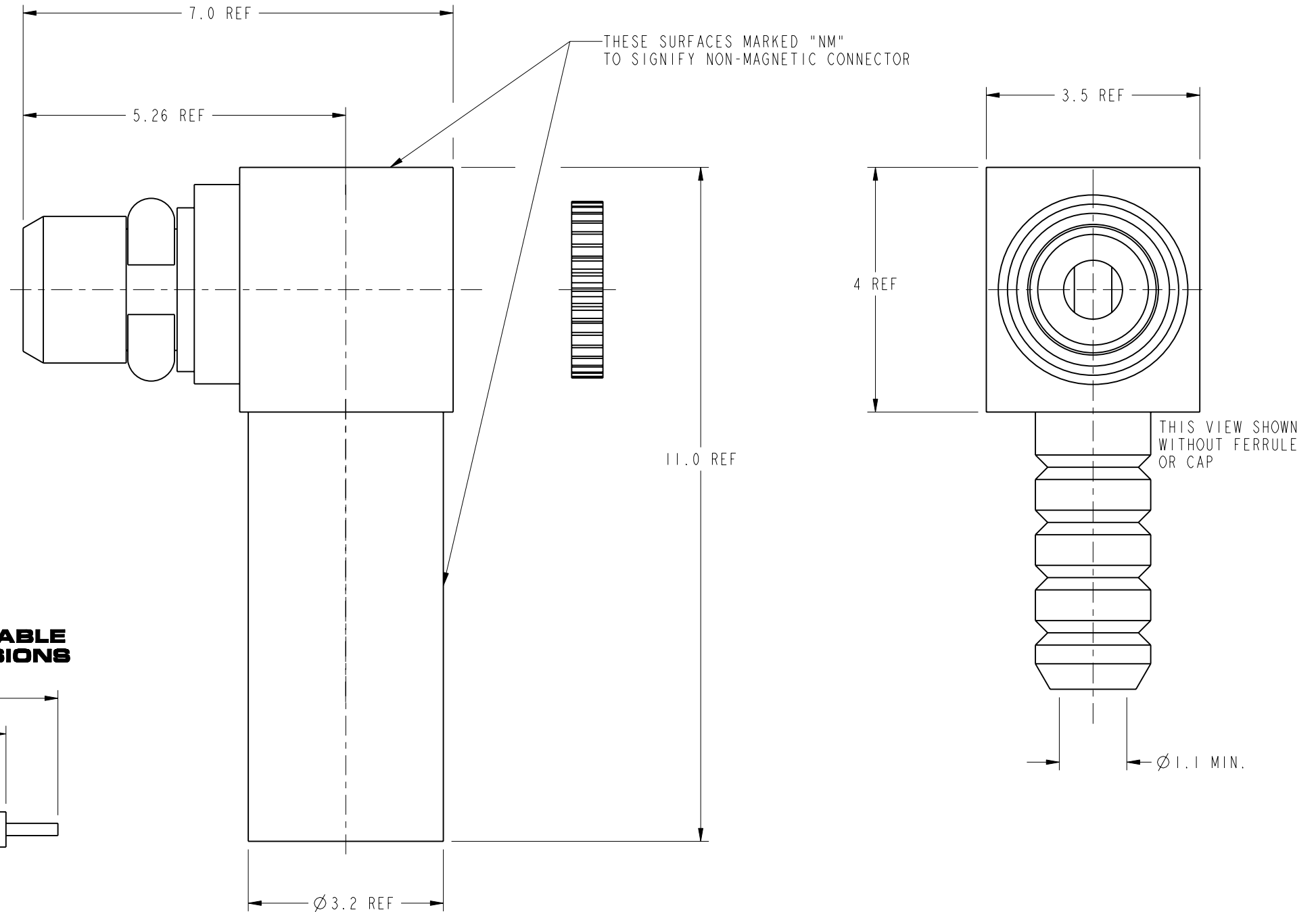


SCALE 5.000

RECOMMENDED CABLE STRIPPING DIMENSIONS



908-NM43200		REVISIONS			
PART NO.	REV	DESCRIPTION	DATE	ECO	APPR
THIRD ANGLE PROJ.	A	RELEASE TO MFG.	8/8/06	46108	KJC



METRIC DRAWING

CUSTOMER OUTLINE DRAWING

ALL OTHER SHEETS ARE FOR INTERNAL USE ONLY

UNLESS OTHERWISE SPECIFIED, DIMENSIONS ARE METRIC AND TOLERANCES ARE: 1 PLACE DECIMAL ± 0.3MM (.012") 2 PLACE DECIMAL ± .10 MM (.004") ANGLES ± 1°	MATERIAL -	DRAWN K. CAPOZZI	DATE 18-Jul-06	TITLE ASSEMBLY MMCX RG-178 R/A PLUG NON MAGNETIC		Amphenol RF	
	REFERENCE EAR # 1952 AND	ENGINEER K. CAPOZZI	DATE 18-Jul-06			Danbury CT USA, Tainan, Taiwan, Shenzhen, China www.amphenolrf.com	
NOTICE - These drawings, specifications, or other data (1) are, and remain the property of Amphenol corp. (2) must be returned upon request; and (3) are confidential and not to be disclosed to any person other than those to whom they are given by Amphenol Corp. the furnishing of these drawings, specifications, or other data by Amphenol Corp., or to any other person to anyone for any purpose is not to be regarded by implication or otherwise in any manner licensing, granting rights to permitting such holder or any other sperson to manufacture, use or sell any product, process or design, patented or otherwise, that may in any way be related to or disclosed by said drawings, specifications, or other data.	CONFIGURATION LEVEL: Released	APPROVED B. C. GLEISSNER	DATE 8/8/06	SCALE: 12.0:1.0	SHEET 2 OF 2	DRAWING NO.	ITEM NO.
	FINISH	Root Folder/MMCX/908-NM43200	DWG SIZE B	CODE ID 74868	REV A	PART NO.	908-NM43200