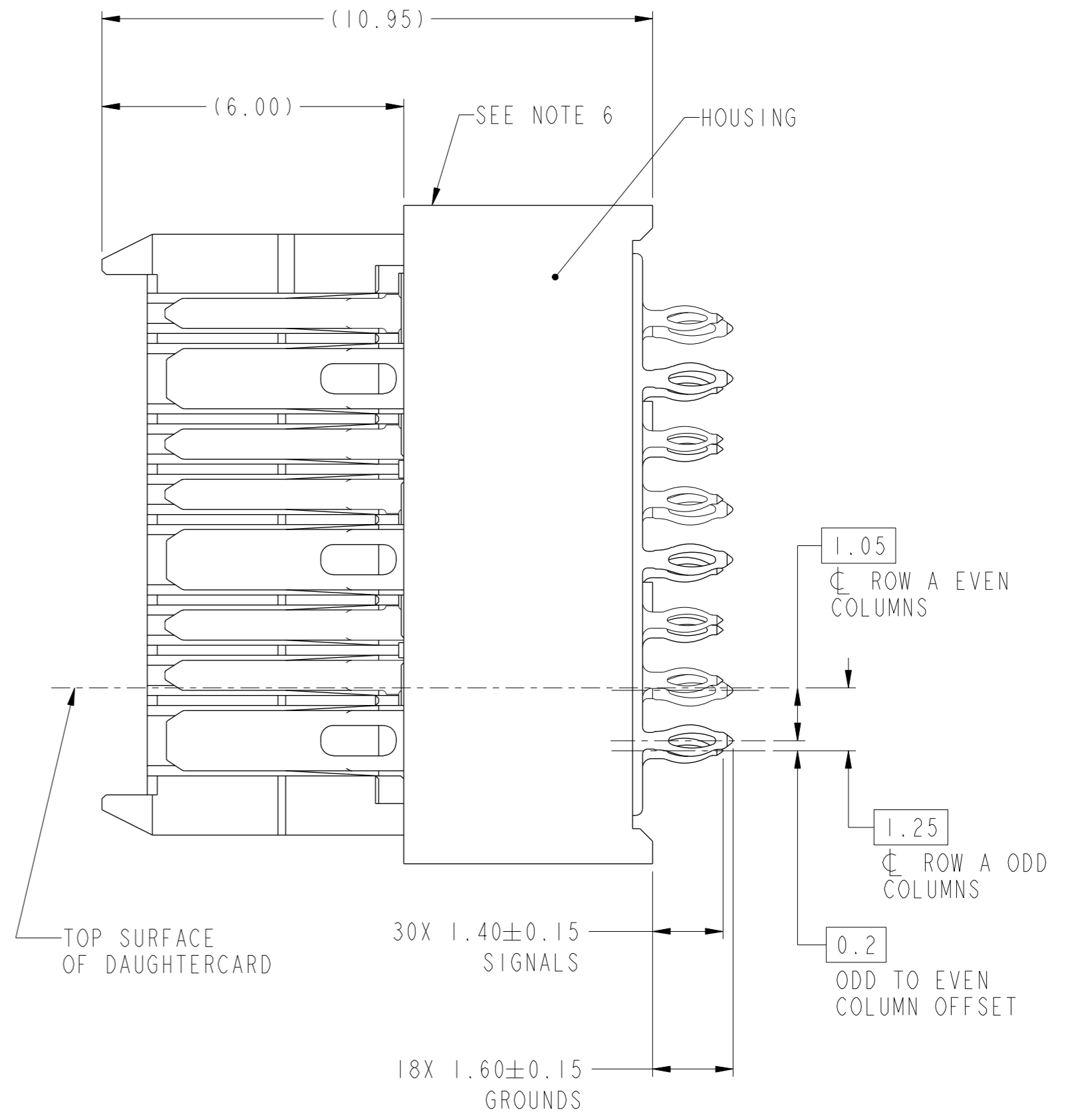
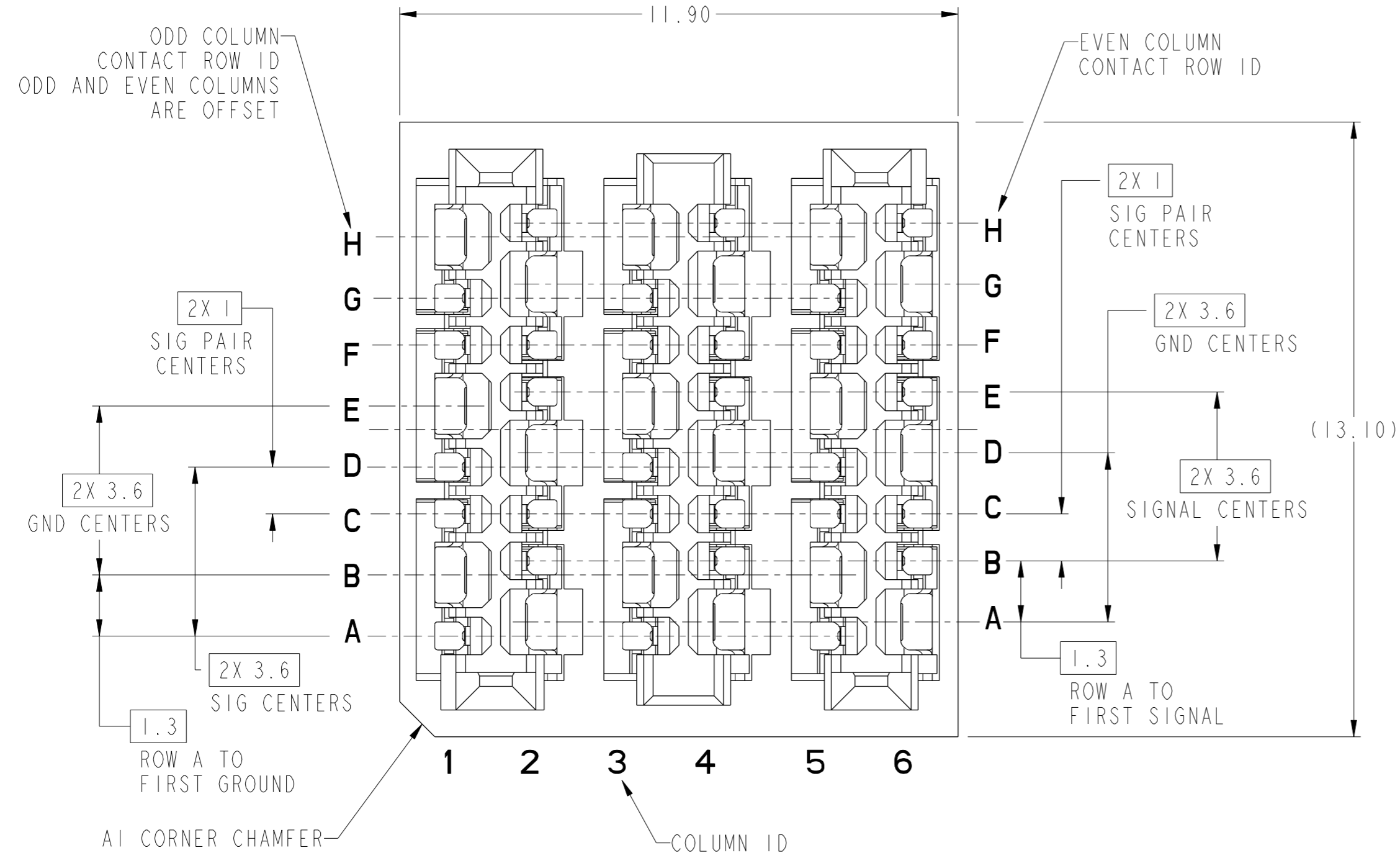


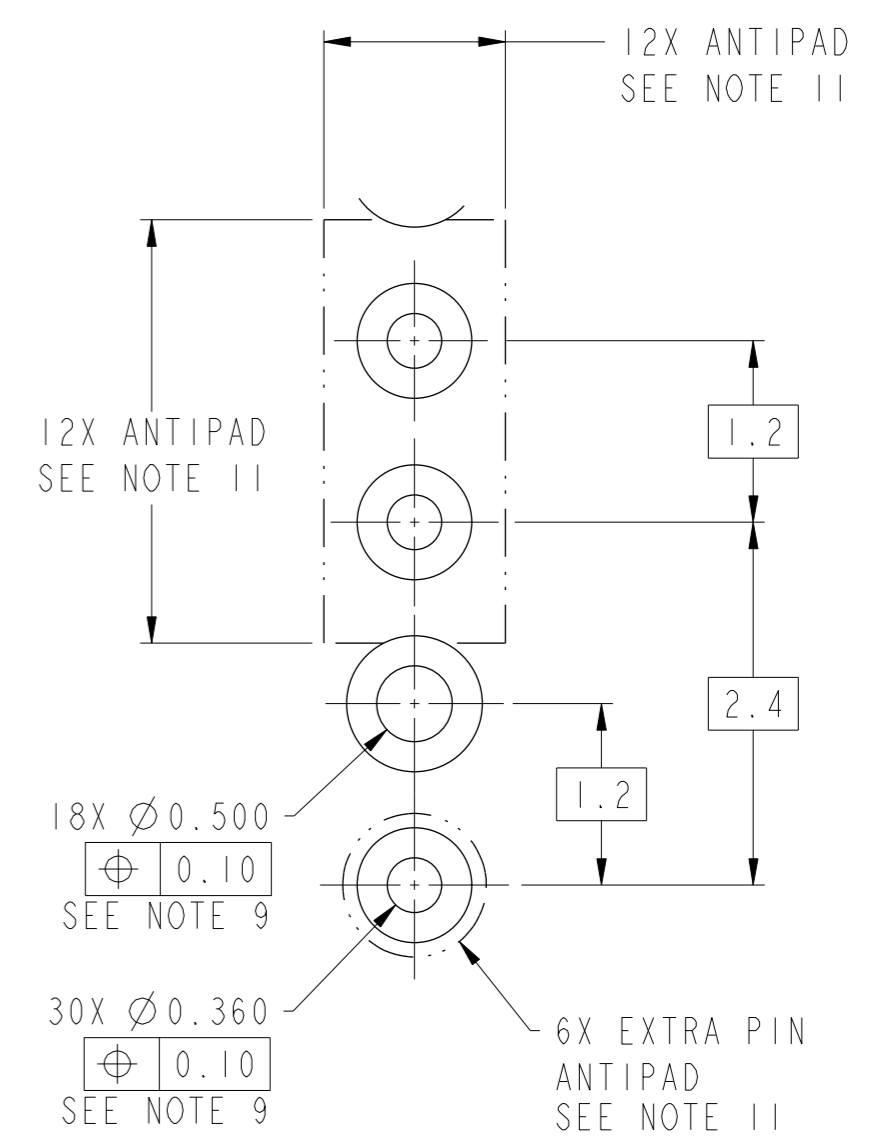
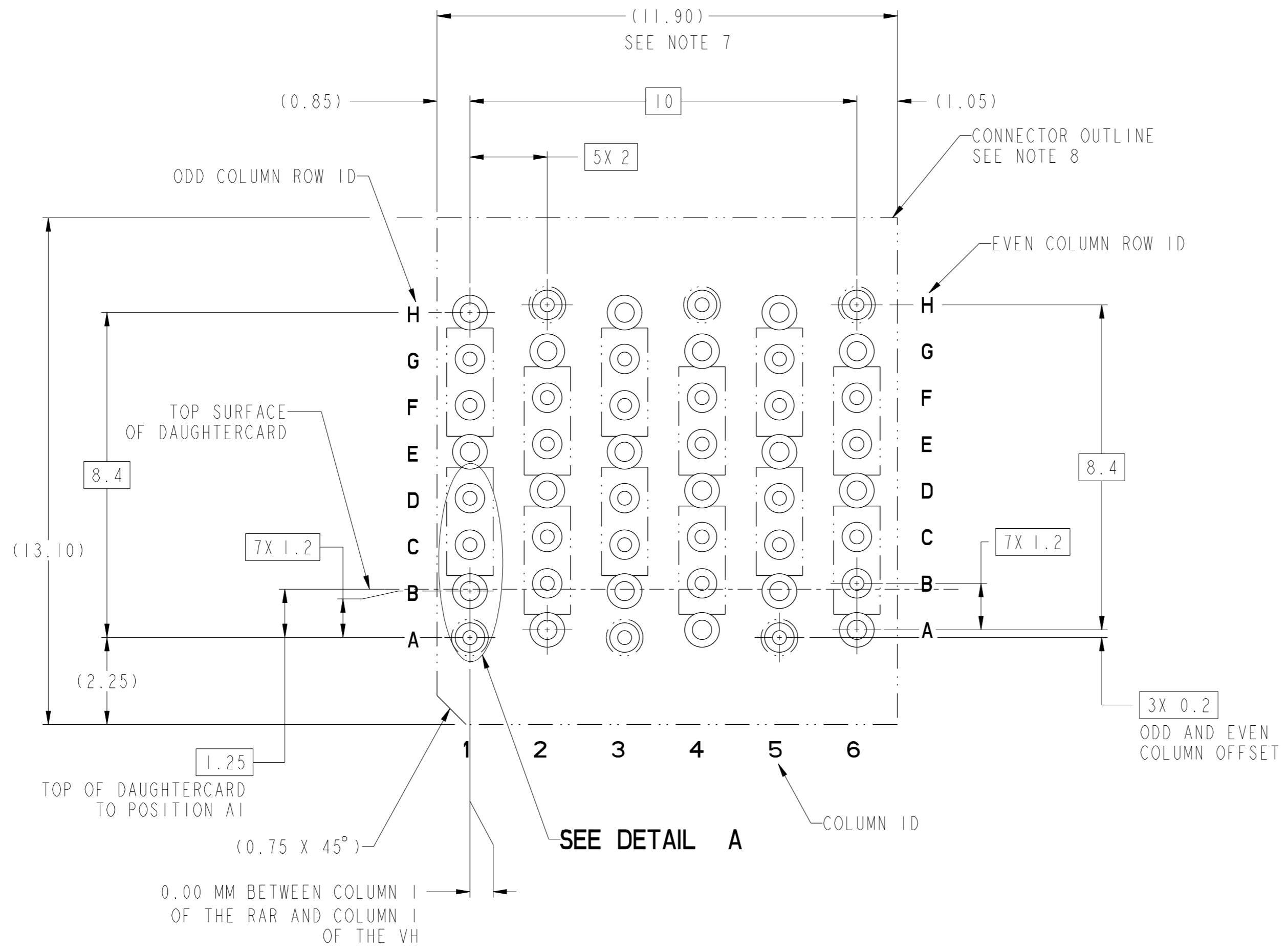
PRODUCT NUMBER
SEE SHEET 16



10128334-Y01LF
(10128334-101LF STANDARD MATE CONNECTOR SHOWN)

spec ref	---	dr	Daniel Xiao	2014/01/21	projection	MM	size	A2	scale	5:1																									
tolerance std	ASME Y14.5M	eng	Terry Luo	2015/05/14			ecn no	-	rel level	Released																									
TOLERANCES UNLESS OTHERWISE SPECIFIED		chr	Martin Li	2015/05/14																															
surface	<table border="1"> <tr><td>linear</td><td>0.X</td><td>±.3</td></tr> <tr><td></td><td>0.XX</td><td>±.10</td></tr> <tr><td></td><td>0.XXX</td><td>±.050</td></tr> <tr><td>angular</td><td>0°</td><td>±2°</td></tr> </table>	linear	0.X	±.3		0.XX	±.10		0.XXX	±.050	angular	0°	±2°	appr	Collins Lu	2015/05/14	product family	ExaMAX	rel level	Released		<table border="1"> <tr><td>title</td><td>ExaMAX VERTICAL HEADER</td><td>cat. no.</td><td>SEE TABLE</td></tr> <tr><td>ass'y</td><td>ASS'Y, 2 PAIR, 48 POS, 6 IMLA</td><td>Product - Customer</td><td>Drw</td></tr> </table>	title	ExaMAX VERTICAL HEADER	cat. no.	SEE TABLE	ass'y	ASS'Y, 2 PAIR, 48 POS, 6 IMLA	Product - Customer	Drw	<table border="1"> <tr><td>no</td><td>10128334</td><td>rev</td><td>A</td></tr> </table>	no	10128334	rev	A
linear	0.X	±.3																																	
	0.XX	±.10																																	
	0.XXX	±.050																																	
angular	0°	±2°																																	
title	ExaMAX VERTICAL HEADER	cat. no.	SEE TABLE																																
ass'y	ASS'Y, 2 PAIR, 48 POS, 6 IMLA	Product - Customer	Drw																																
no	10128334	rev	A																																

Copyright FCI.
FCI



RECOMMENDED PCB LAYOUT FOR
10128334-Y01LF COMPONENT SIDE
SEE NOTES 7, 8, 9, & 11

spec ref	---	dr	Daniel Xiao	2014/01/21	projection	MM	size	A2	scale	5:1
tolerance std	ASME Y14.5M	eng	Terry Luo	2015/05/14			ecn no	-	rel level	Released
TOLERANCES UNLESS OTHERWISE SPECIFIED		chr	Martin Li	2015/05/14						
		appr	Collins Lu	2015/05/14						
surface	✓	linear	0.X	±.3	product family	ExaMAX	cat. no.	SEE TABLE	Product - Customer Drw	sheet 2 of 17
			0.XX	±.10		ExaMAX VERTICAL HEADER ASS'Y, 2 PAIR, 48 POS, 6 IMLA	no 10128334	rev A		
			0.XXX	±.050					www.fci.com	
		angular	0°	±2°						

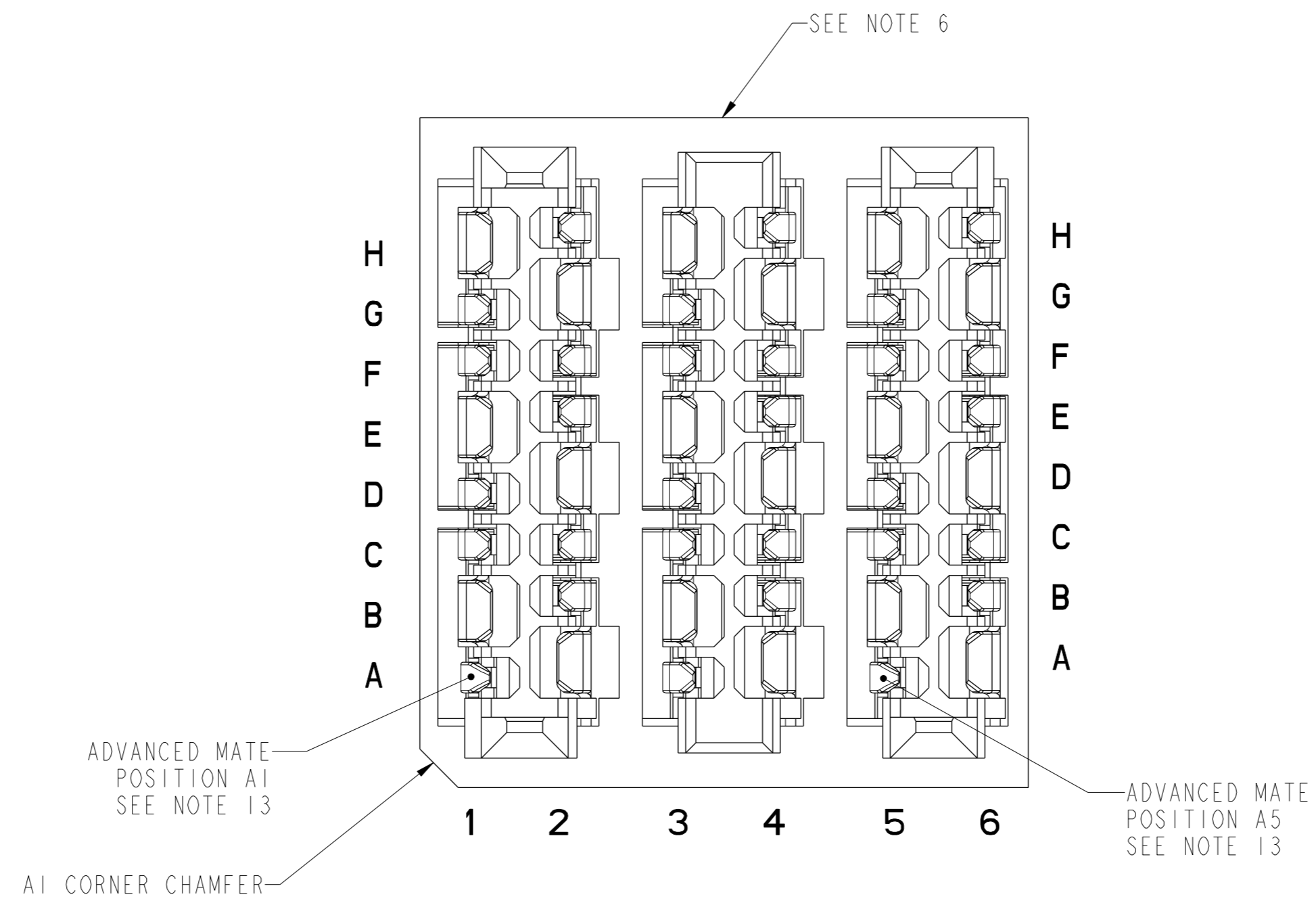
PDS: Rev :A

STATUS:Released

Printed: May 15, 2015



Copyright FCI.

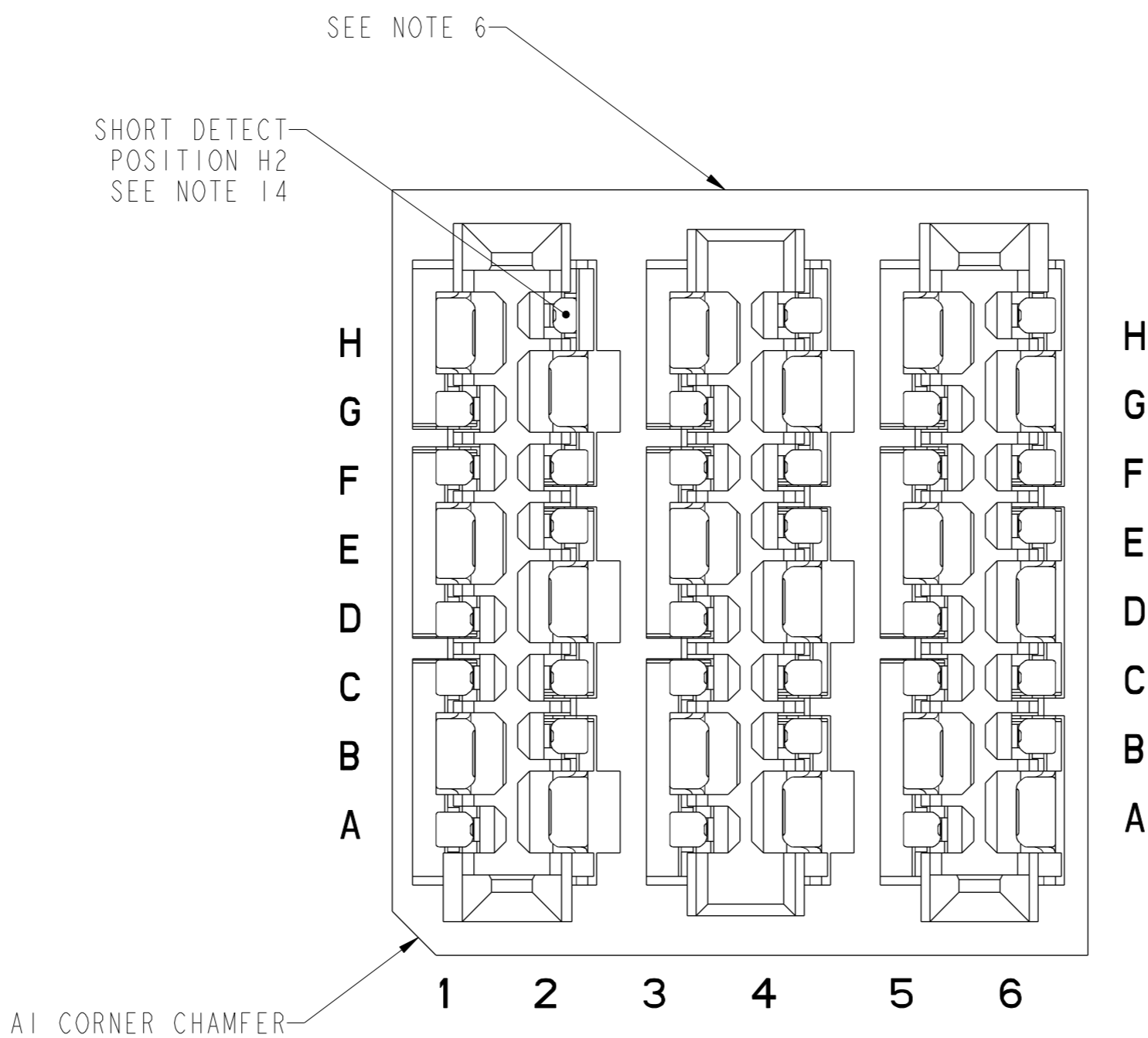


10128334-201LF
ADVANCED MATE CONNECTOR
 ADVANCED MATE POSITIONS ARE POSITIONS A1 AND A5 ONLY
 FOR ALL OTHER DIMENSIONS SEE SHEETS 1 & 2



Copyright FCI.

spec ref	---	dr	Daniel Xiao	2014/01/21	projection	MM	size	A2	scale	5:1												
tolerance std	ASME Y14.5M	eng	Terry Luo	2015/05/14			ecn no	-														
TOLERANCES UNLESS OTHERWISE SPECIFIED		chr	Martin Li	2015/05/14			rel level	Released														
surface	<table border="1"> <tr> <td>linear</td> <td>0.X</td> <td>±.3</td> </tr> <tr> <td></td> <td>0.XX</td> <td>±.10</td> </tr> <tr> <td></td> <td>0.XXX</td> <td>±.050</td> </tr> <tr> <td>angular</td> <td>0°</td> <td>±2°</td> </tr> </table>	linear	0.X	±.3		0.XX	±.10		0.XXX	±.050	angular	0°	±2°	appr	Collins Lu	2015/05/14	product family	ExaMAX	cat. no.	10128334	rev	A
linear	0.X	±.3																				
	0.XX	±.10																				
	0.XXX	±.050																				
angular	0°	±2°																				
				title ExaMAX VERTICAL HEADER ASS'Y, 2 PAIR, 48 POS, 6 IMLA		SEE TABLE		Product - Customer Drw		sheet 3 of 17												

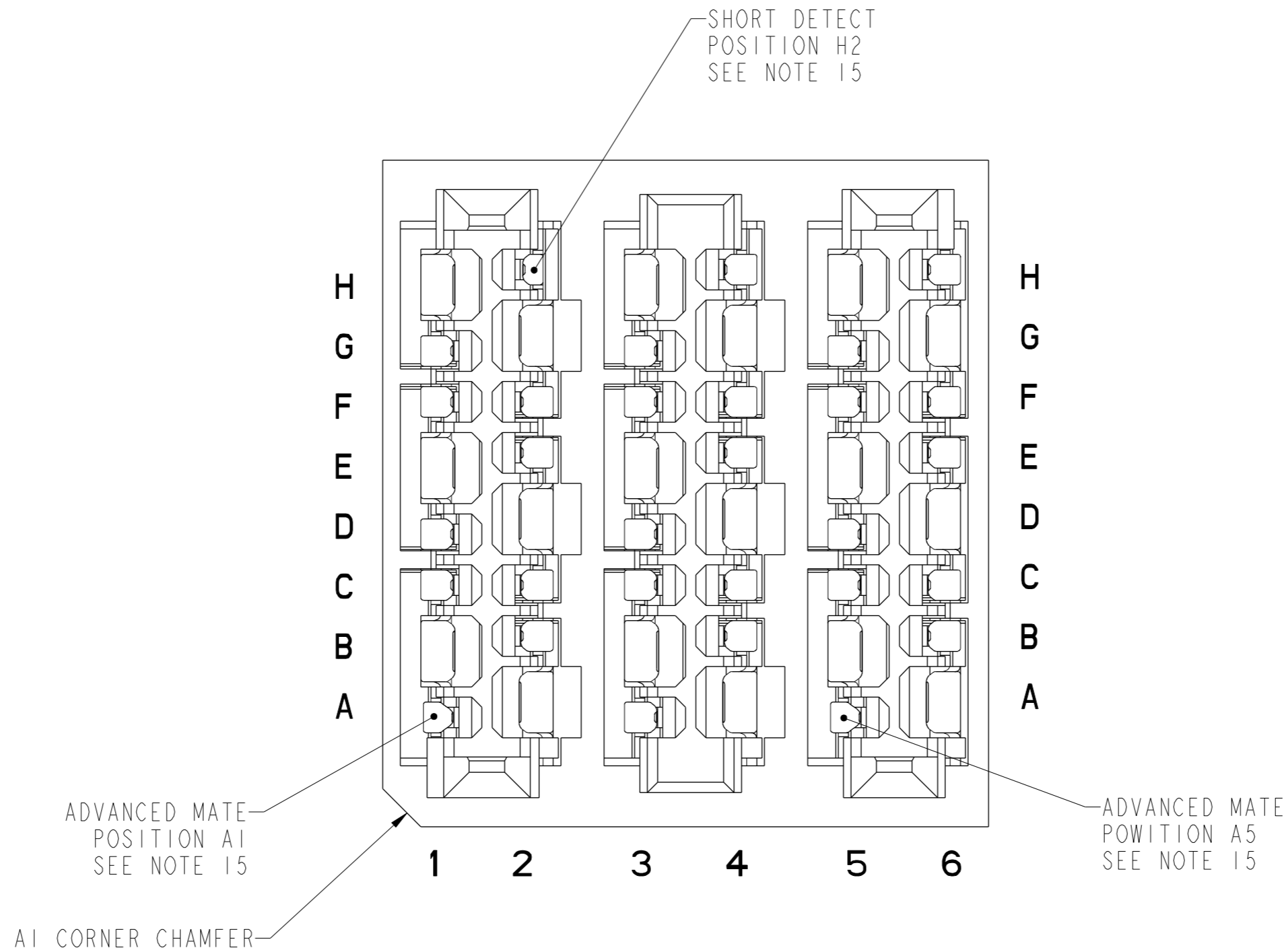


10128334-301LF
 SHORT DETECT CONNECTOR
 SHORT DETECT POSITION IS H2 ONLY
 FOR ALL OTHER DIMENSIONS SEE SHEETS 1 & 2



Copyright FCI.

spec ref	---	dr	Daniel Xiao	2014/01/21	projection	MM	size	A2	scale	5:1												
tolerance std	ASME Y14.5M	eng	Terry Luo	2015/05/14			ecn no	-	rel level	Released												
TOLERANCES UNLESS OTHERWISE SPECIFIED		chr	Martin Li	2015/05/14																		
surface	<table border="1"> <tr> <td>linear</td> <td>0.X</td> <td>±.3</td> </tr> <tr> <td></td> <td>0.XX</td> <td>±.10</td> </tr> <tr> <td></td> <td>0.XXX</td> <td>±.050</td> </tr> <tr> <td>angular</td> <td>0°</td> <td>±2°</td> </tr> </table>	linear	0.X	±.3		0.XX	±.10		0.XXX	±.050	angular	0°	±2°	appr	Collins Lu	2015/05/14	product family	ExaMAX	cat. no.	SEE TABLE	Product - Customer Drw	sheet 4 of 17
linear	0.X	±.3																				
	0.XX	±.10																				
	0.XXX	±.050																				
angular	0°	±2°																				
		title ExaMAX VERTICAL HEADER ASS'Y, 2 PAIR, 48 POS, 6 IMLA		no 10128334	rev A																	

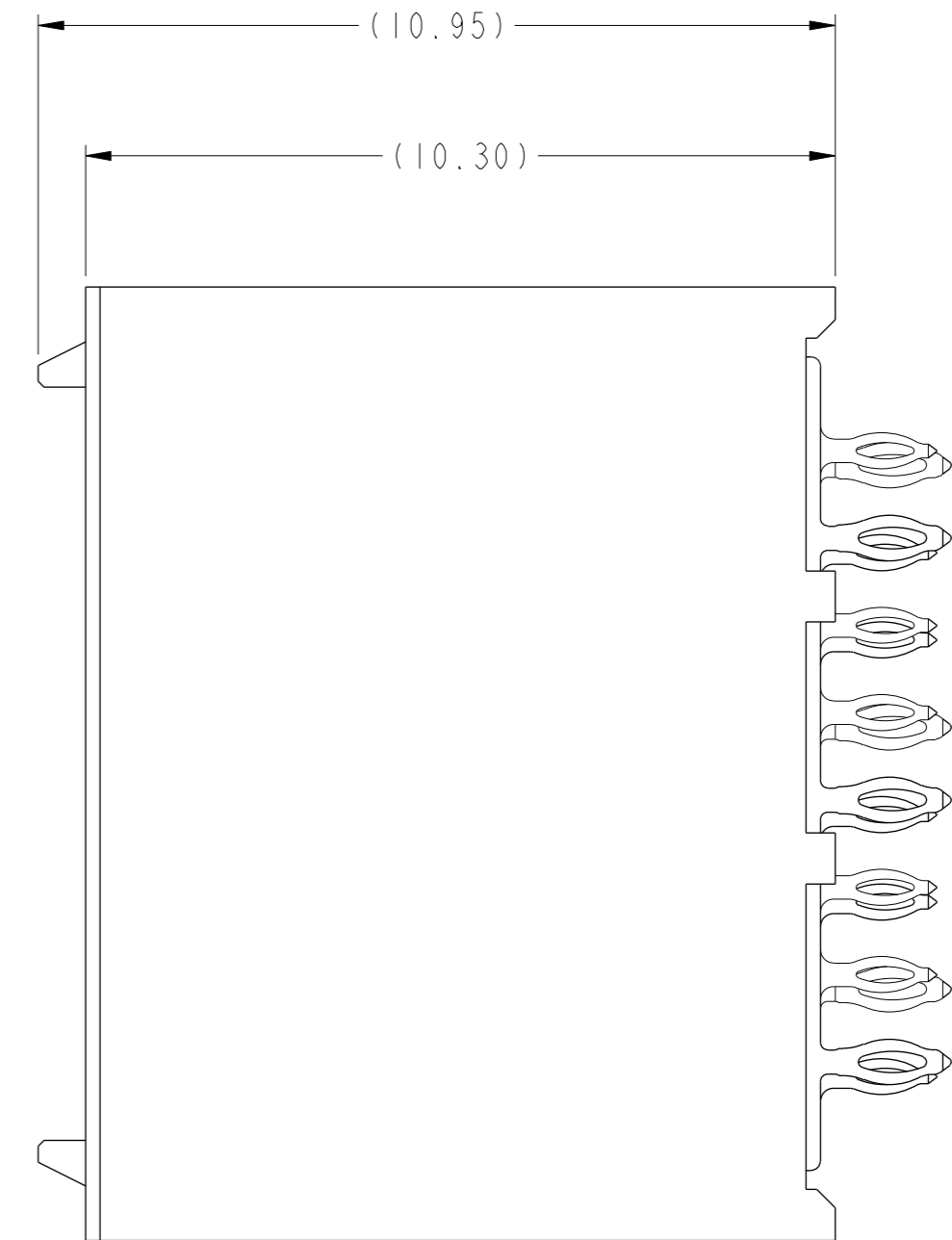
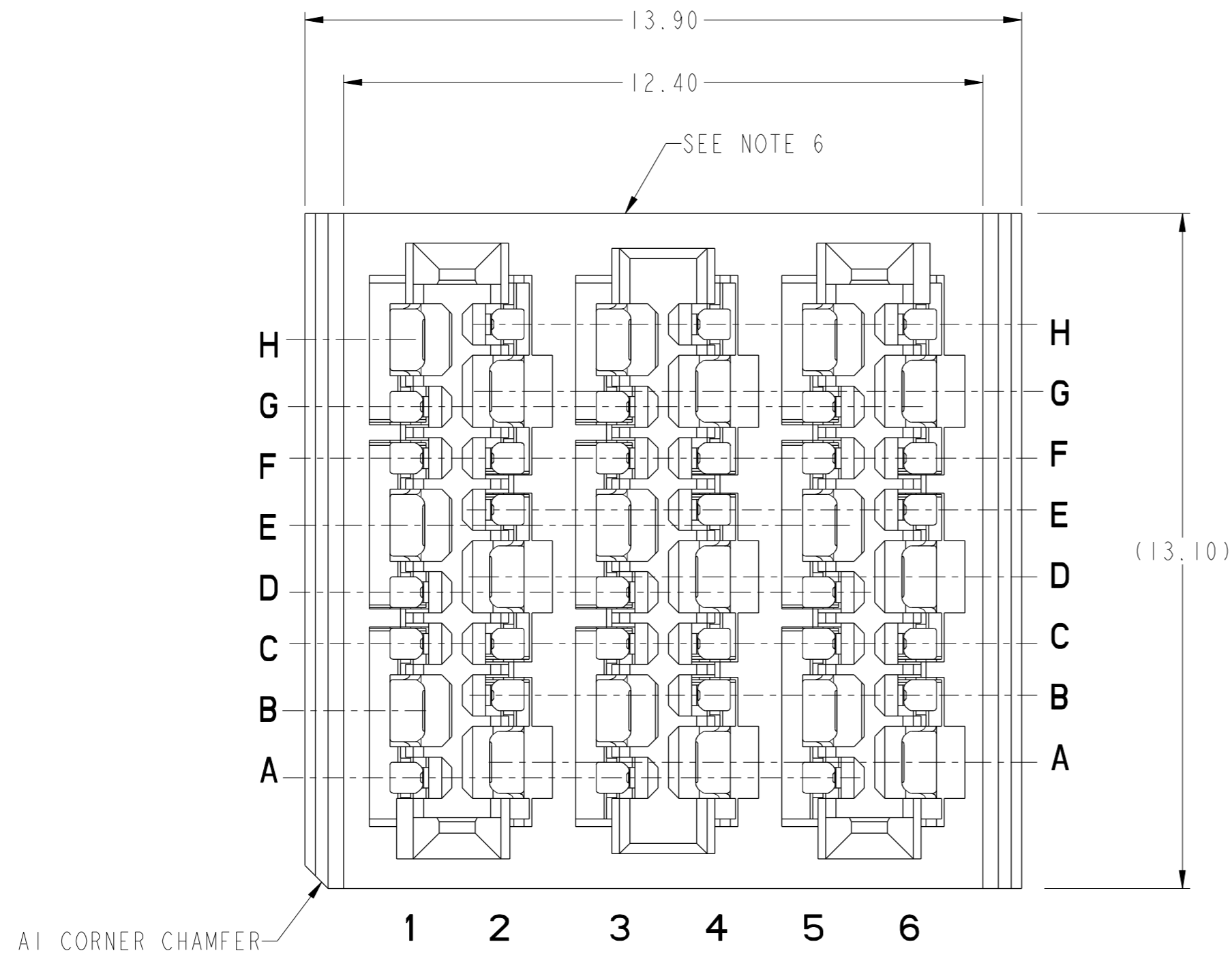


10128334-401LF
ADVANCED MATE/SHORT DETECT CONNECTOR
 ADVANCED MATE POSITIONS ARE POSITIONS A1 AND A5 ONLY
 SHORT DETECT POSITION IS H2 ONLY
 FOR ALL OTHER DIMENSIONS SEE SHEETS 1 & 2



Copyright FCI.

spec ref	---	dr	Daniel Xiao	2014/01/21	projection	MM	size	A2	scale	3:1
tolerance std	ASME Y14.5M	eng	Terry Luo	2015/05/14			ecn no	-	rel level	Released
TOLERANCES UNLESS OTHERWISE SPECIFIED		chr	Martin Li	2015/05/14						
surface	✓	appr	Collins Lu	2015/05/14	product family	ExaMAX	cat. no.	10128334	rev	A
linear	0.X ±.3 0.XX ±.10 0.XXX ±.050	www.fci.com		title	ExaMAX VERTICAL HEADER ASS'Y, 2 PAIR, 48 POS, 6 IMLA		diag no			
angular	0° ±2°	SEE TABLE		Product - Customer	Product - Customer		sheet	5 of 17		



10128334-Y02LF (10128334-102LF SHOWN)
 END WALLED CONNECTOR
 FOR ALL DIMENSIONS SEE SHEET 1



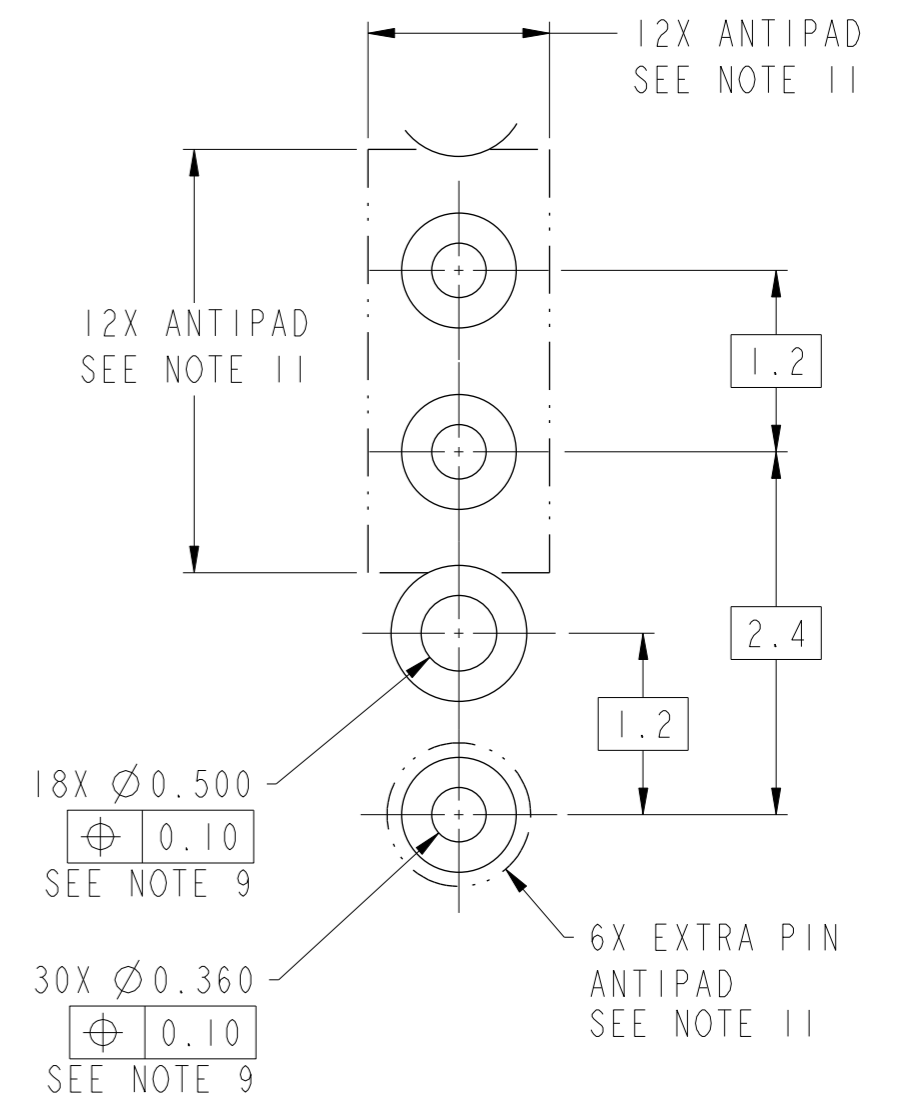
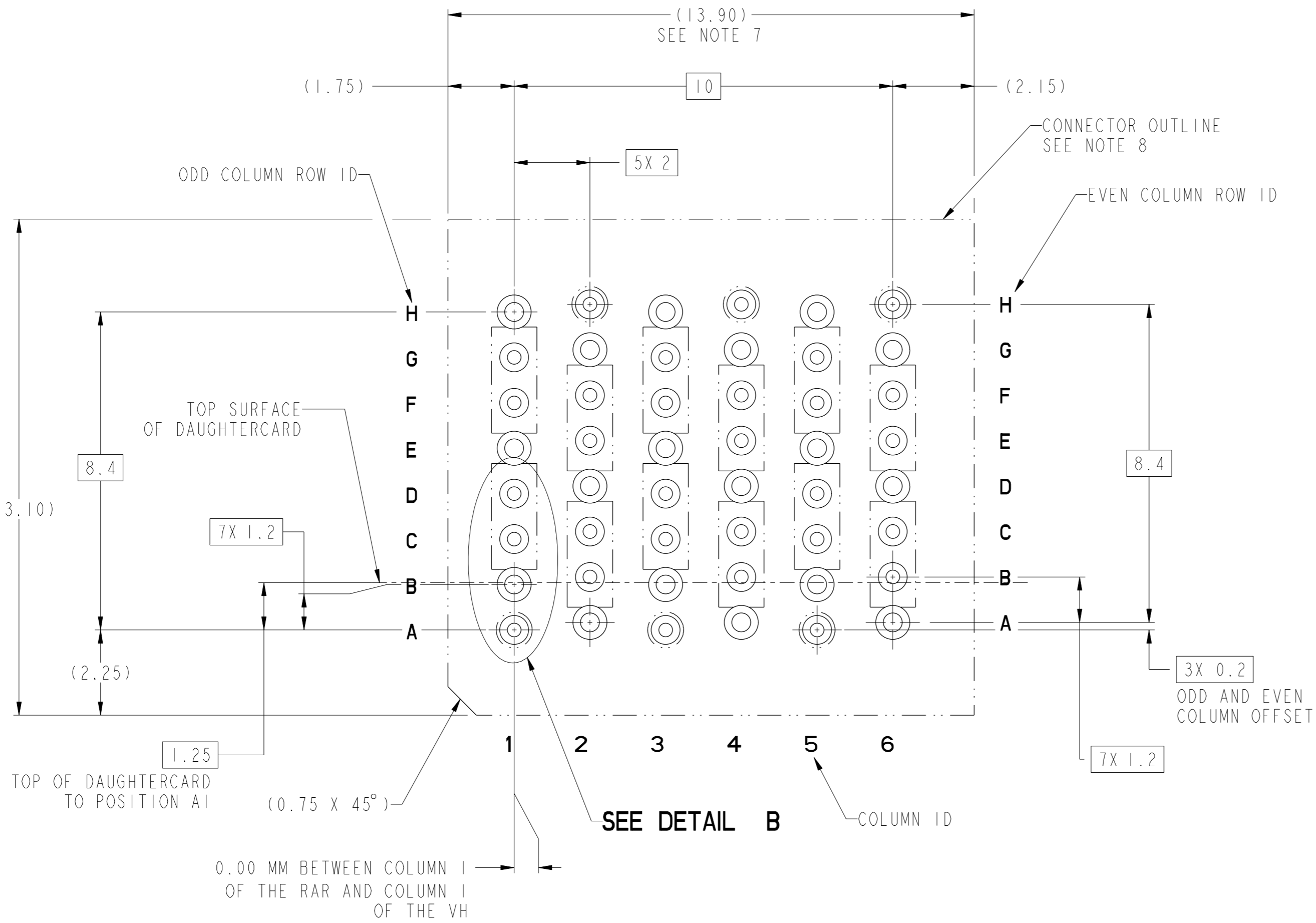
Copyright FCI.

spec ref	---	dr	Daniel Xiao	2014/01/21	projection	MM	size	A2	scale	2:1
tolerance std	ASME Y14.5M	eng	Terry Luo	2015/05/14			ecn no	-	rel level	Released
TOLERANCES UNLESS OTHERWISE SPECIFIED		chr	Martin Li	2015/05/14						
surface		linear	0.X	±.3		title ExaMAX VERTICAL HEADER ASS'Y, 2 PAIR, 48 POS, 6 IMLA	cat. no. SEE TABLE	product family ExaMAX	rel level Released	rev A
			0.XX	±.10						
			0.XXX	±.050						
		angular	0°	±2°	www.fci.com	Product - Customer Drw	diag no	10128334	sheet 6 of 17	

PDS: Rev :A

STATUS:Released

Printed: May 15, 2015



**RECOMMENDED PCB LAYOUT FOR
 10128334-Y02LF (END WALLLED CONNECTOR) COMPONENT SIDE
 SEE NOTES 7, 8, 9, & 11**



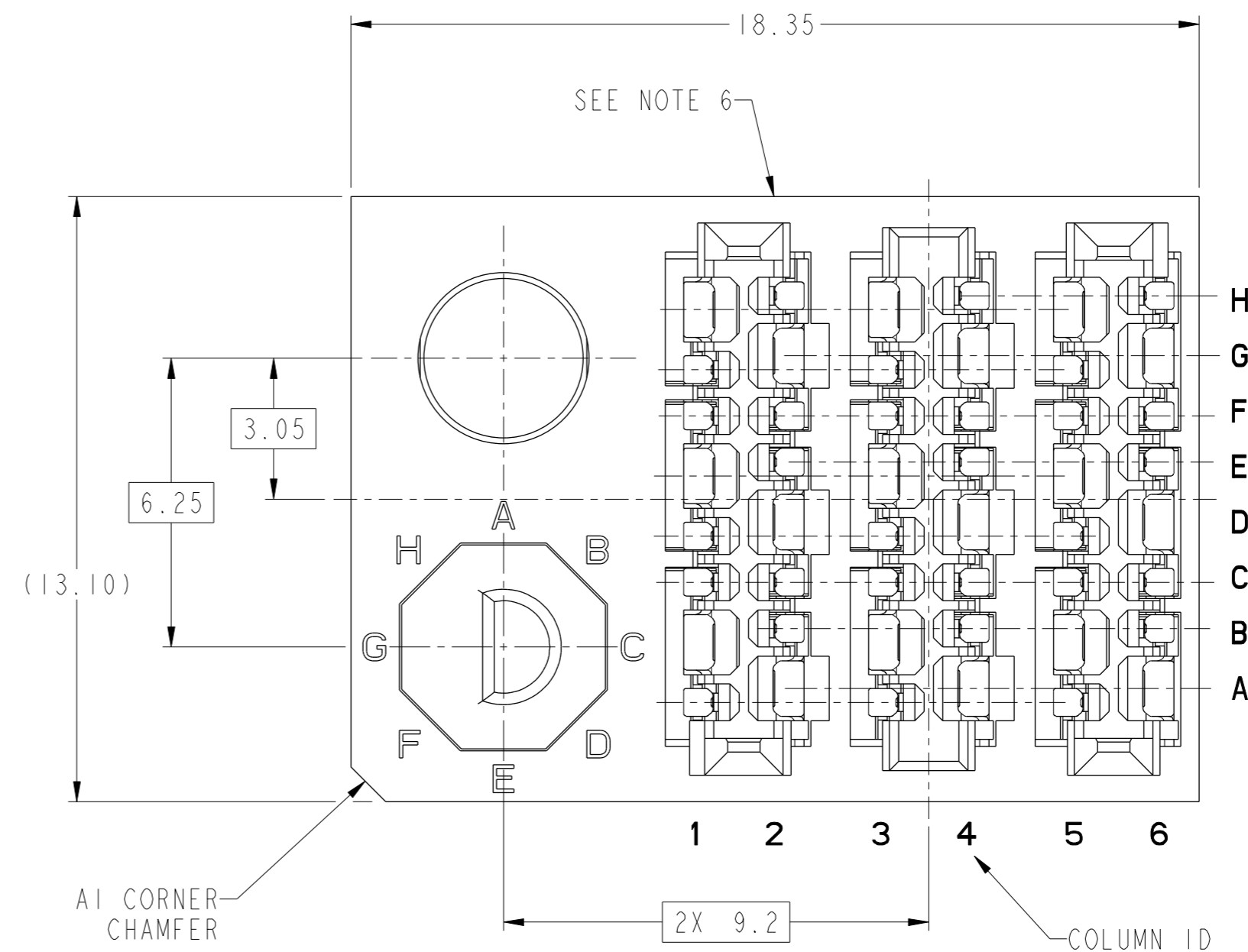
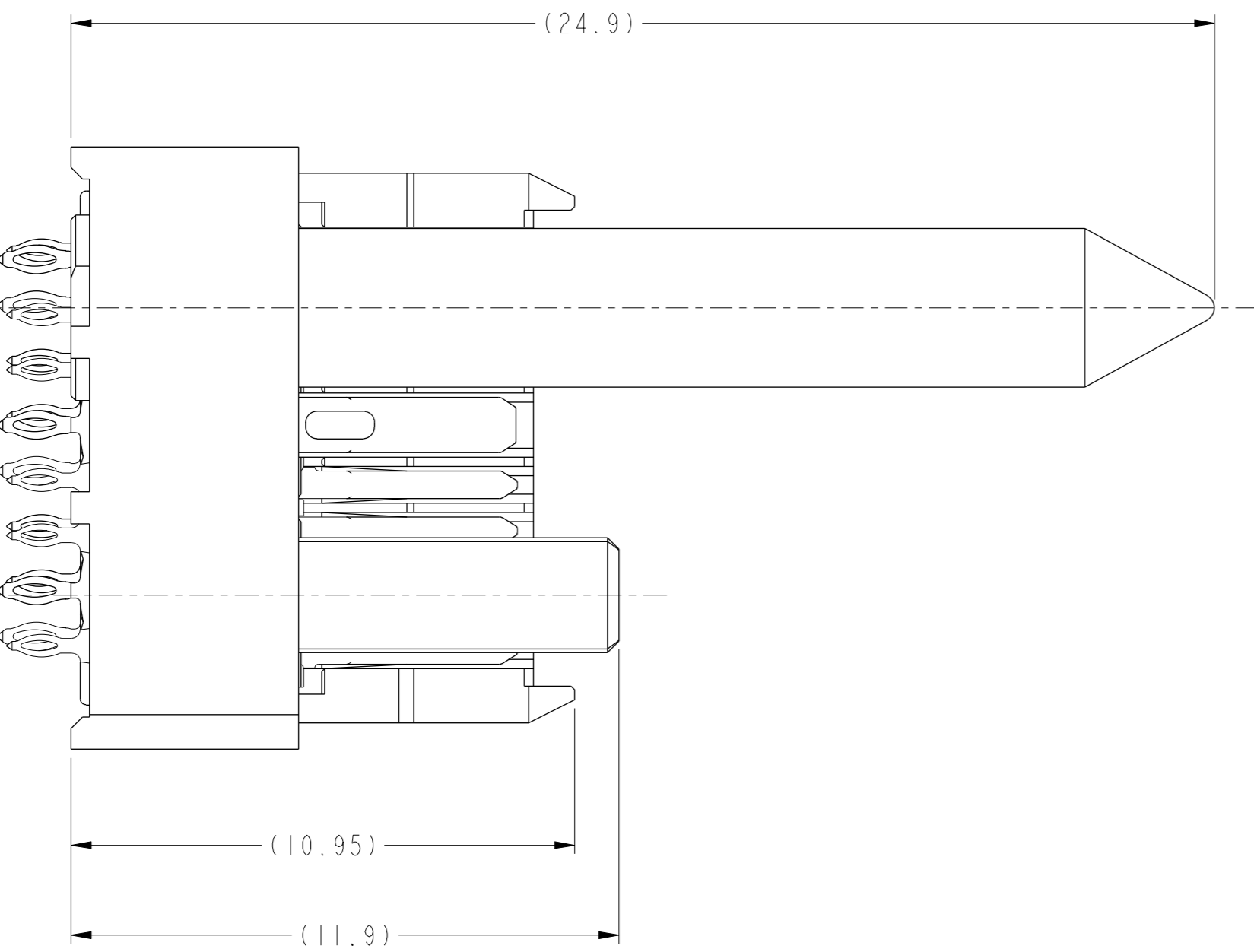
Copyright FCI.

spec ref	---	dr	Daniel Xiao	201401/21	projection	MM	size	A2	scale	2:1
tolerance std	ASME Y14.5M	eng	Terry Luo	201505/14			ecn no	-	rel level	Released
TOLERANCES UNLESS OTHERWISE SPECIFIED		chr	Martin Li	201505/14						
surface	✓	appr	Collins Lu	201505/14	product family	ExaMAX	cat. no.	10128334	rev	A
linear	0.X ±.3 0.XX ±.10 0.XXX ±.050	www.fci.com		title	ExaMAX VERTICAL HEADER ASS'Y, 2 PAIR, 48 POS, 6 IMLA		diag no	SEE TABLE		
angular	0° ±2°	Product - Customer Drw		sheet 7 of 17						

PDS: Rev : A

STATUS: Released

Printed: May 15, 2015



10128334-Y1ALF THRU -Y1JLF
 RIGHT GUIDANCE CONNECTOR (SEE NOTE 17)
 FOR ALL OTHER DIMENSIONS SEE SHEET 1



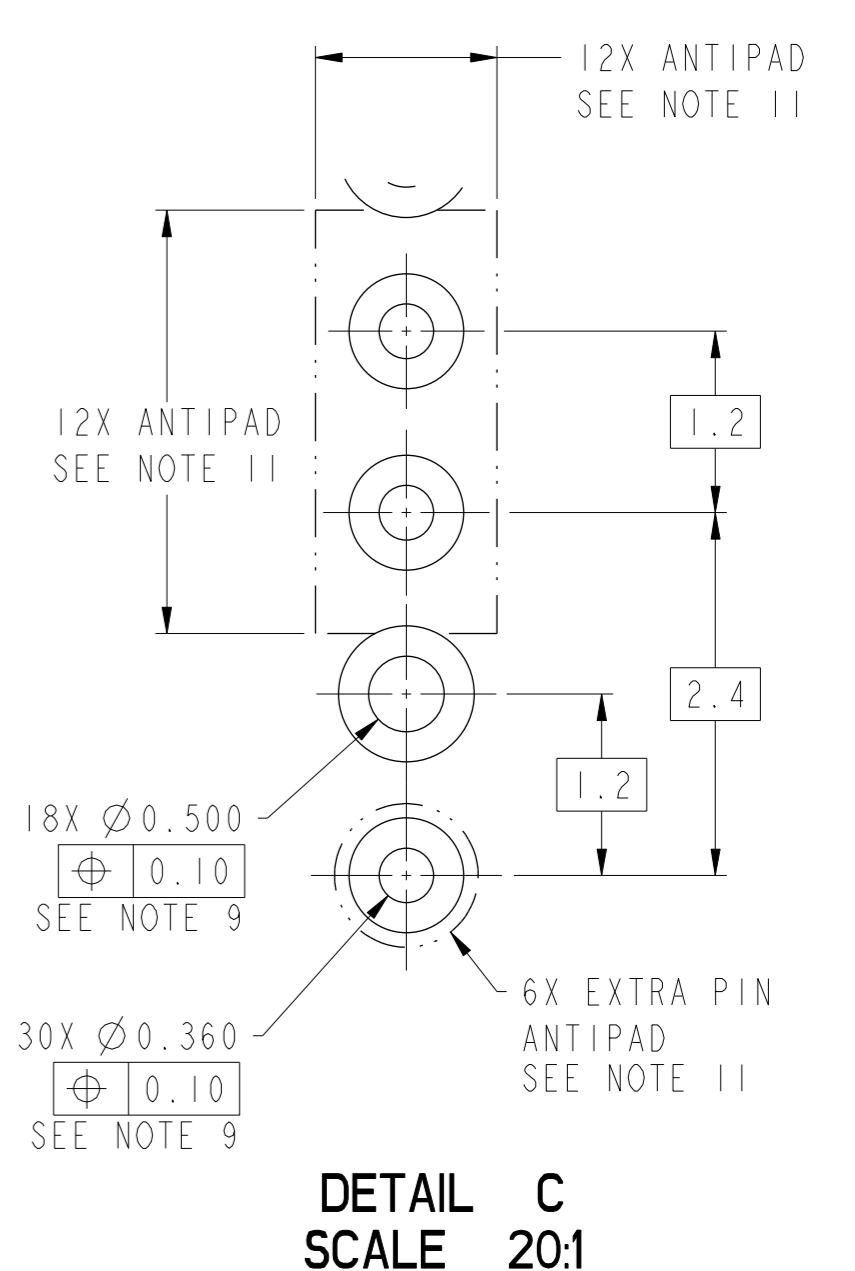
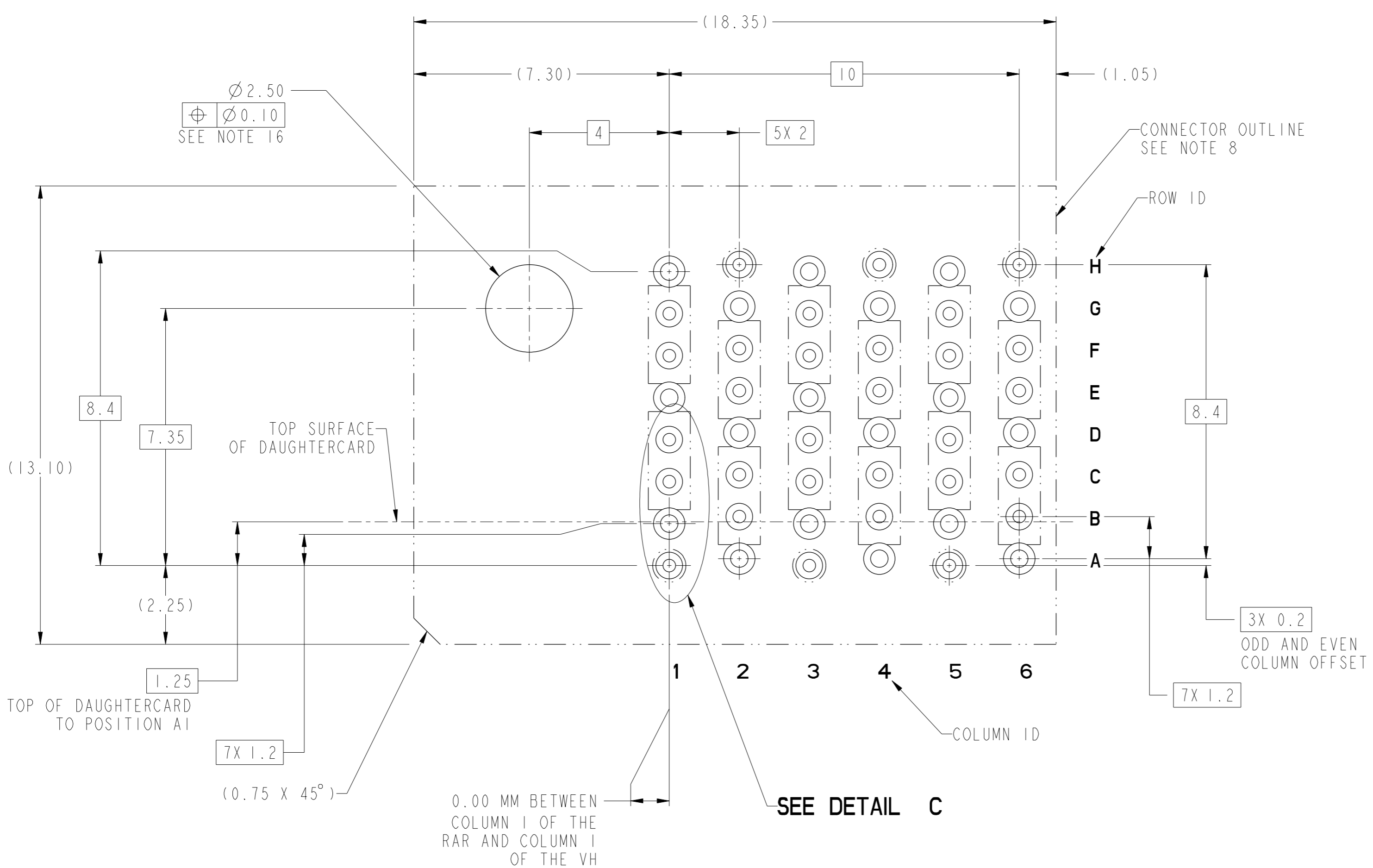
Copyright FCI.

spec ref	---	dr	Daniel Xiao	2014/01/21	projection	MM	size	A2	scale	5:1
tolerance std	ASME Y14.5M	eng	Terry Luo	2015/05/14			ecn no	-	rel level	Released
TOLERANCES UNLESS OTHERWISE SPECIFIED		chr	Martin Li	2015/05/14						
surface		linear	0.X	±.3		product family ExaMAX	no	10128334	rev	A
			0.XX	±.10						
			0.XXX	±.050						
		angular	0°	±2°	www.fci.com	cat. no.	SEE TABLE	Product - Customer	Drw	sheet 8 of 17

PDS: Rev : A

STATUS: Released

Printed: May 15, 2015



**RECOMMENDED PCB LAYOUT FOR
10128334-Y1YLF w/o END WALLS
COMPONENT SIDE
SEE NOTES 8, 9, 11 & 16**



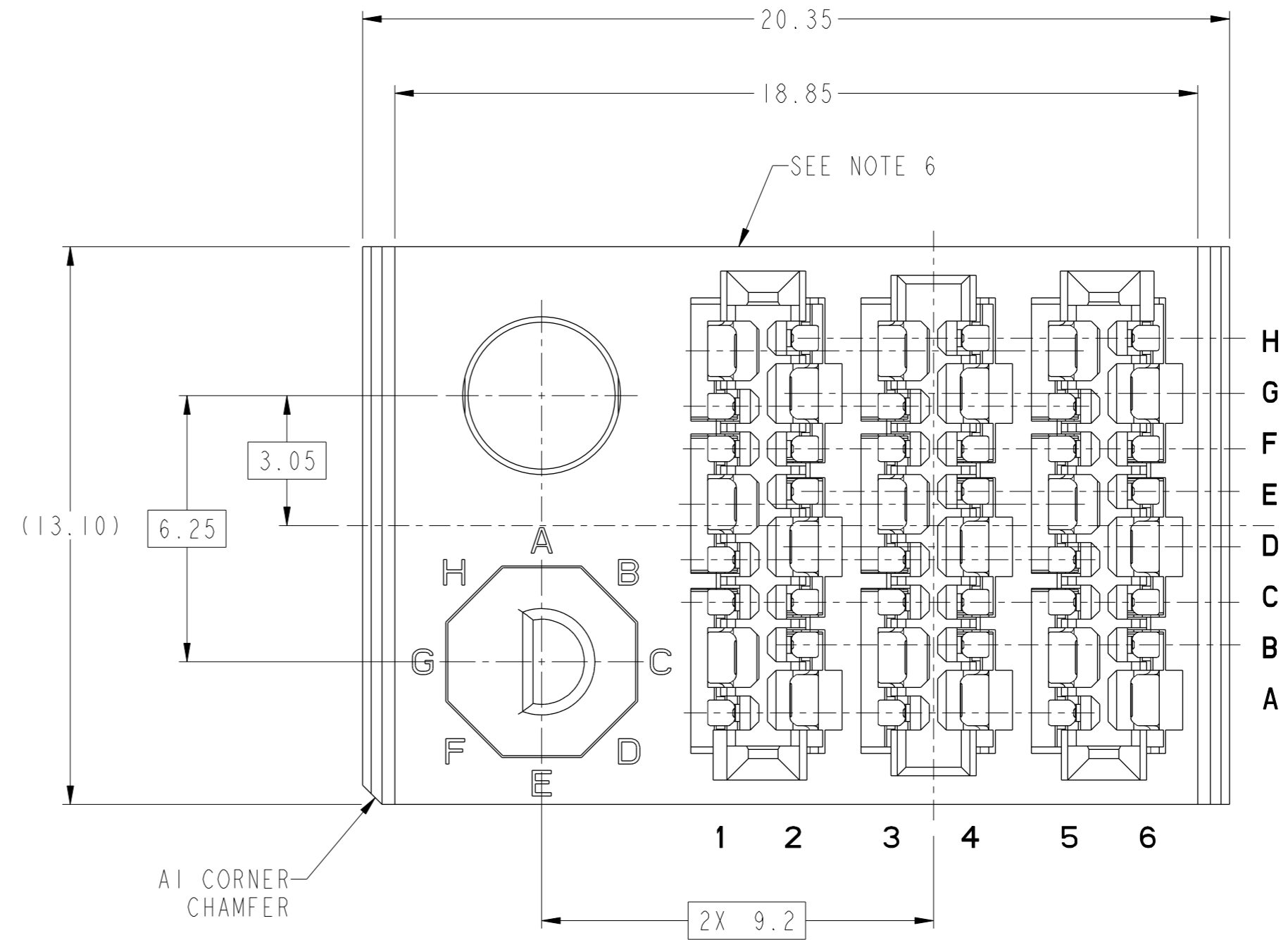
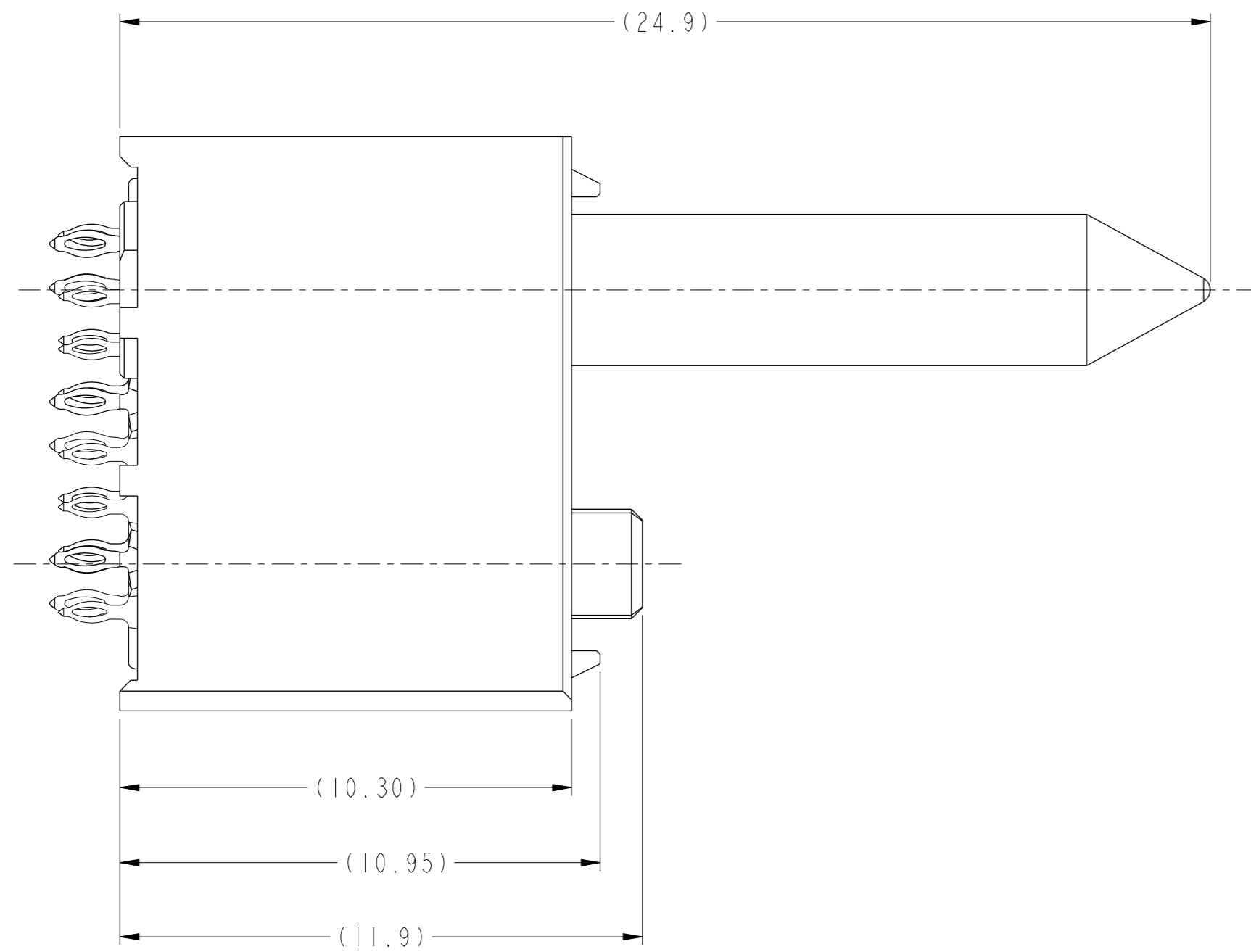
Copyright FCI.

spec ref	---	dr	Daniel Xiao	201401/21	projection	MM	size	A2	scale	2:1
tolerance std	ASME Y14.5M	eng	Terry Luo	201505/14			ecn no	-	rel level	Released
TOLERANCES UNLESS OTHERWISE SPECIFIED		chr	Martin Li	201505/14						
surface	✓	appr	Collins Lu	201505/14	product family	ExaMAX	diag no	10128334	rev	A
linear	0.X ±.3 0.XX ±.10 0.XXX ±.050	www.fci.com		cat. no.	SEE TABLE	Product - Customer Drw	sheet 9 of 17			
angular	0° ±2°									

PDS: Rev :A

STATUS:Released

Printed: May 15, 2015



10128334-Y1LLF THRU -Y1WLF
 RIGHT GUIDANCE CONNECTOR w/END WALLS (SEE NOTE 17)
 FOR ALL OTHER DIMENSIONS SEE SHEET 1

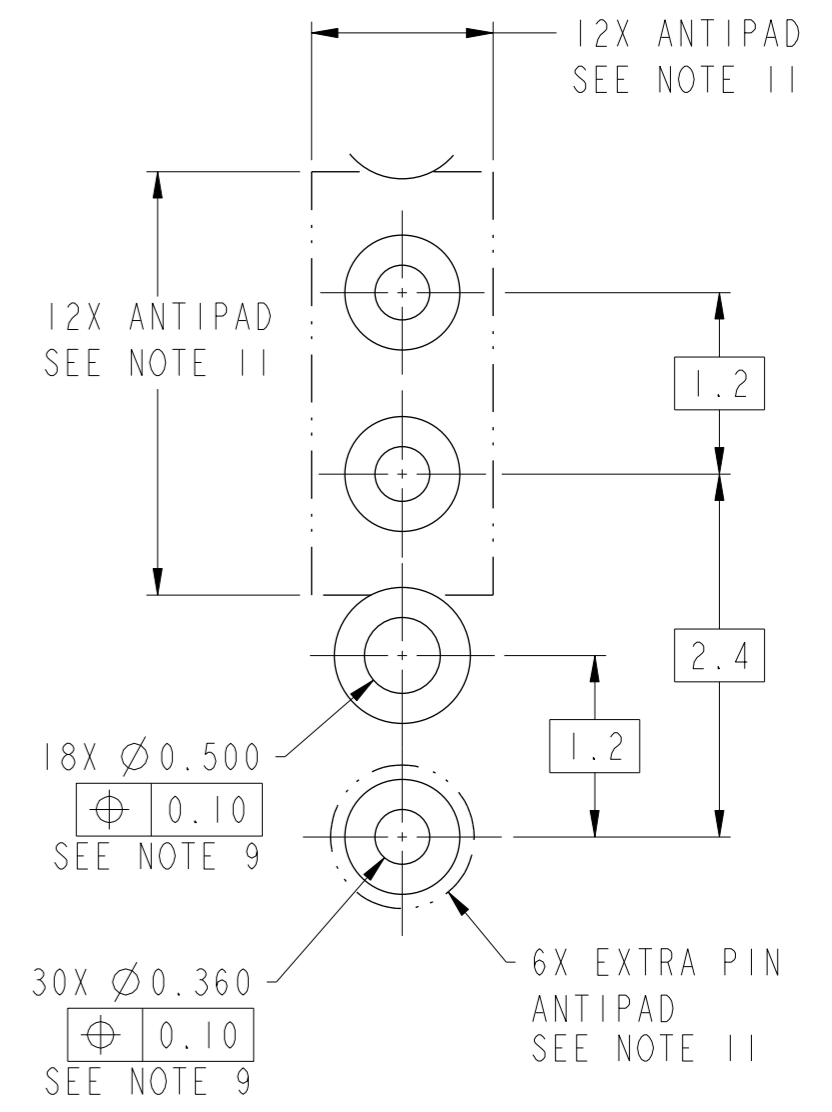
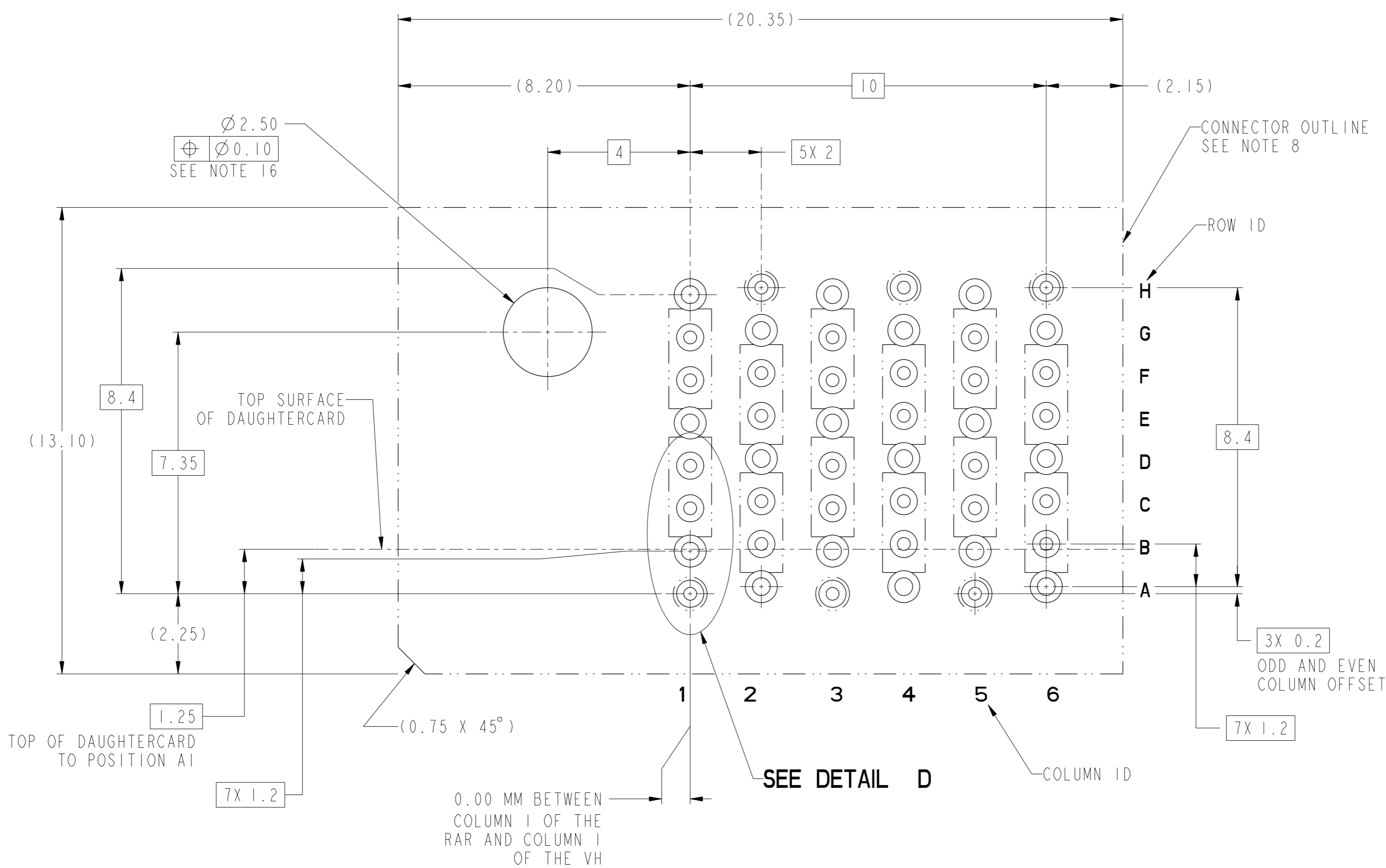
Copyright FCI.
FCI

spec ref	---	dr	Daniel Xiao	2014/01/21	projection	MM	size	A2	scale	2:1													
tolerance std	ASME Y14.5M	eng	Terry Luo	2015/05/14			ecn no	-	rel level	Released													
TOLERANCES UNLESS OTHERWISE SPECIFIED		chr	Martin Li	2015/05/14																			
surface	<table border="1"> <tr> <td>linear</td> <td>0.X</td> <td>±.3</td> </tr> <tr> <td></td> <td>0.XX</td> <td>±.10</td> </tr> <tr> <td></td> <td>0.XXX</td> <td>±.050</td> </tr> <tr> <td>angular</td> <td>0°</td> <td>±2°</td> </tr> </table>	linear	0.X	±.3		0.XX	±.10		0.XXX	±.050	angular	0°	±2°	appr	Collins Lu	2015/05/14	product family	ExaMAX	cat. no.	SEE TABLE	Product - Customer	Drw	sheet 10 of 17
linear	0.X	±.3																					
	0.XX	±.10																					
	0.XXX	±.050																					
angular	0°	±2°																					
		FCI www.fci.com		title ExaMAX VERTICAL HEADER ASS'Y, 2 PAIR, 48 POS, 6 IMLA		no 10128334	rev A																

PDS: Rev :A

STATUS:Released

Printed: May 15, 2015



RECOMMENDED PCB LAYOUT FOR
10128334-Y1YLF w/END WALLS
COMPONENT SIDE
SEE NOTES 8, 9, 11 & 16



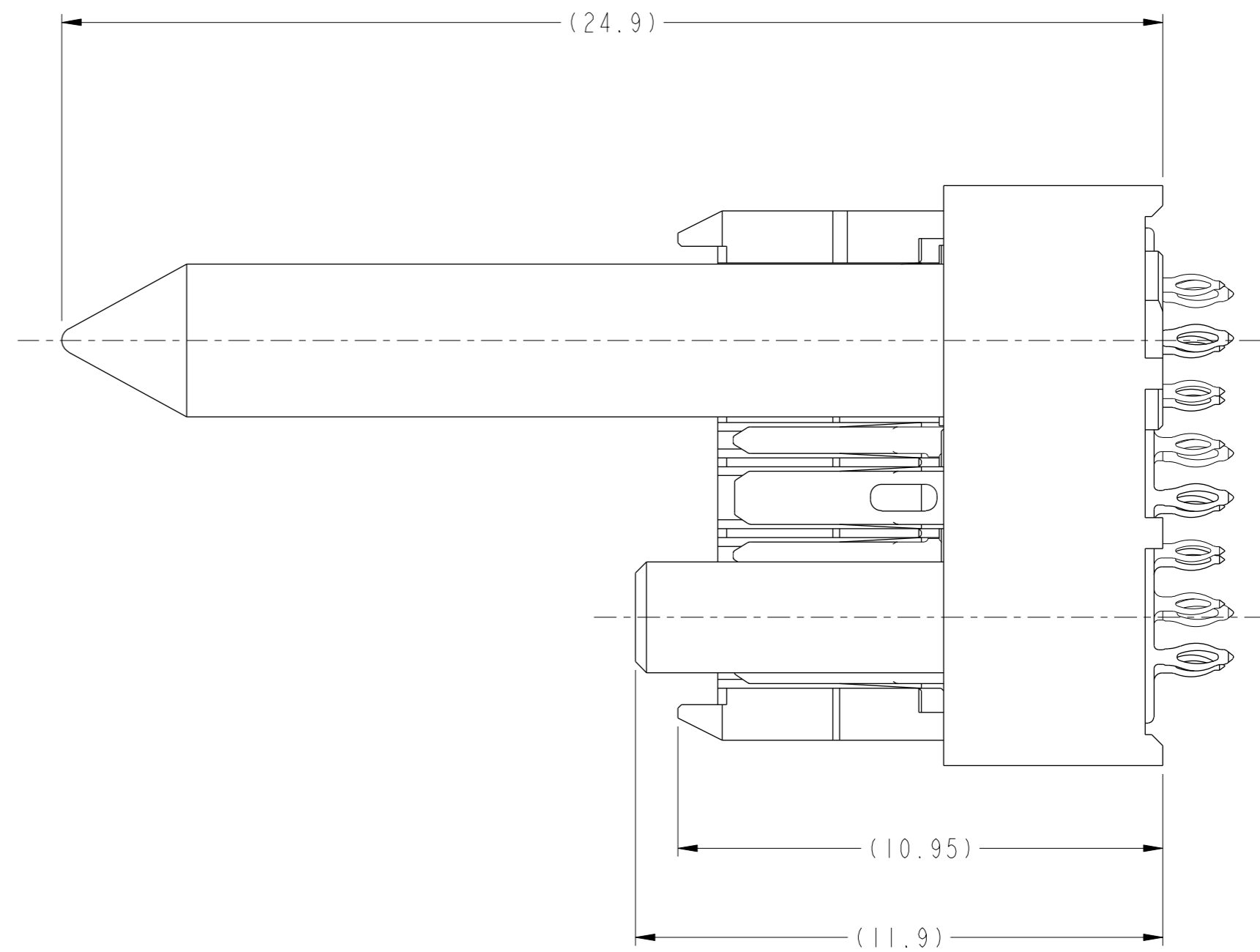
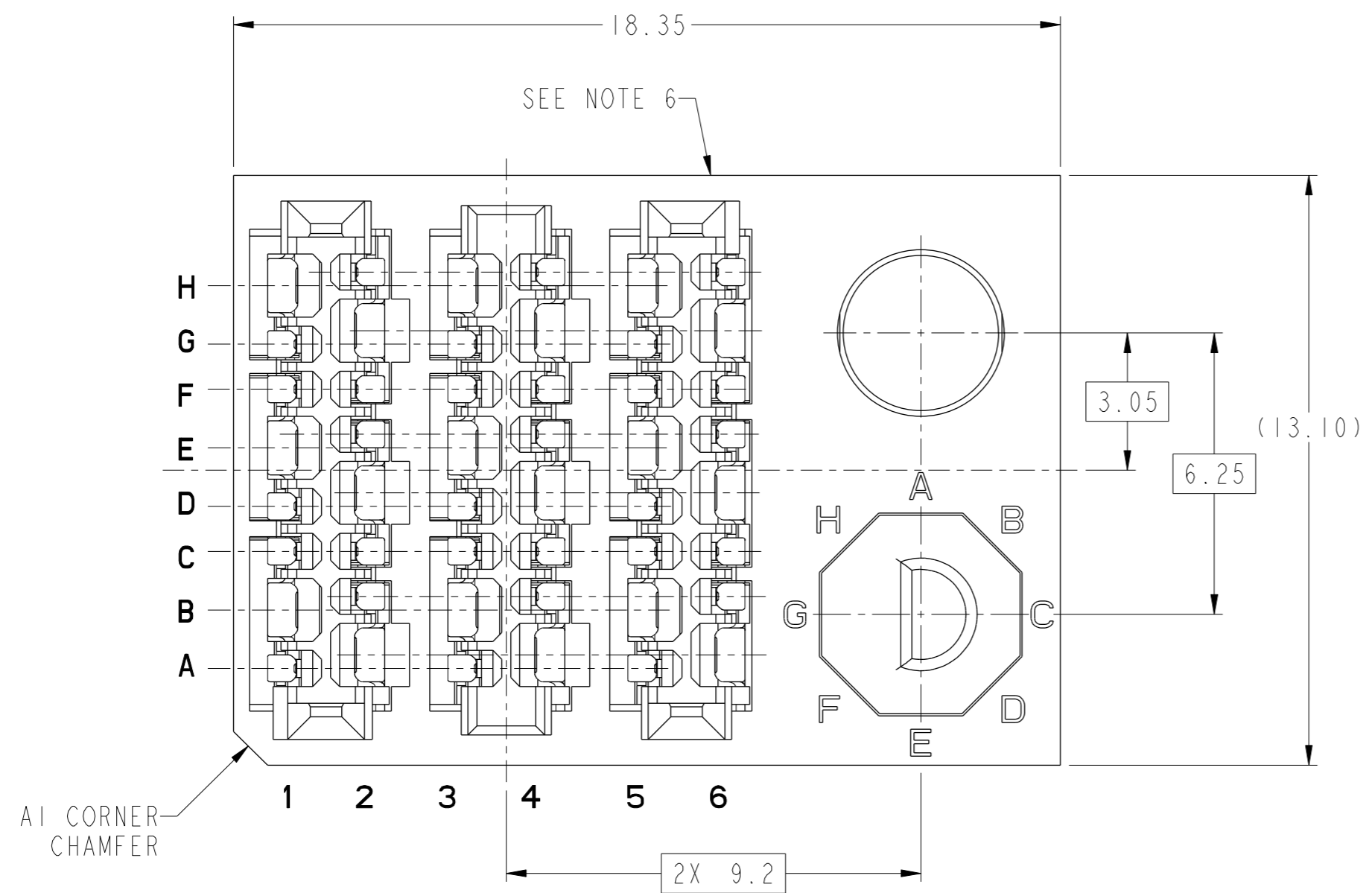
Copyright FCI.

spec ref	---	dr	Daniel Xiao	2014/01/21	projection	MM	size	A2	scale	2:1
tolerance std	ASME Y14.5M	eng	Terry Luo	2015/05/14			ecn no	-	rel level	Released
TOLERANCES UNLESS OTHERWISE SPECIFIED		chr	Martin Li	2015/05/14						
surface	✓	appr	Collins Lu	2015/05/14	product family	ExaMAX	rel level	Released	diag no	10128334
linear	0.X ±.3 0.XX ±.10 0.XXX ±.050			ExaMAX VERTICAL HEADER ASS'Y, 2 PAIR, 48 POS, 6 IMLA		cat. no.	SEE TABLE	Product - Customer Drw	rev	A
angular	0° ±2°	www.fci.com		Product - Customer Drw		sheet 11 of 17				

PDS: Rev :A

STATUS:Released

Printed: May 15, 2015



10128334-Y2ALF THRU -Y2JLF
 LEFT GUIDANCE CONNECTOR (SEE NOTE 17)
 FOR ALL DIMENSIONS SEE SHEET 1



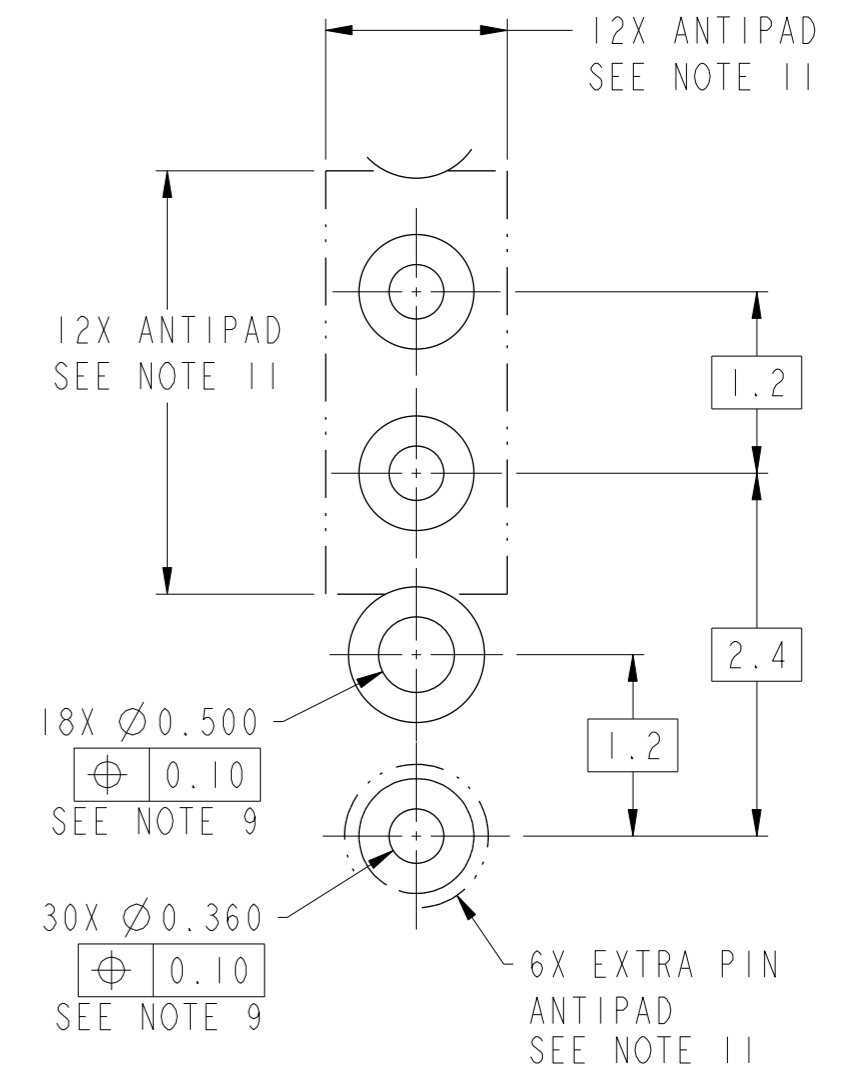
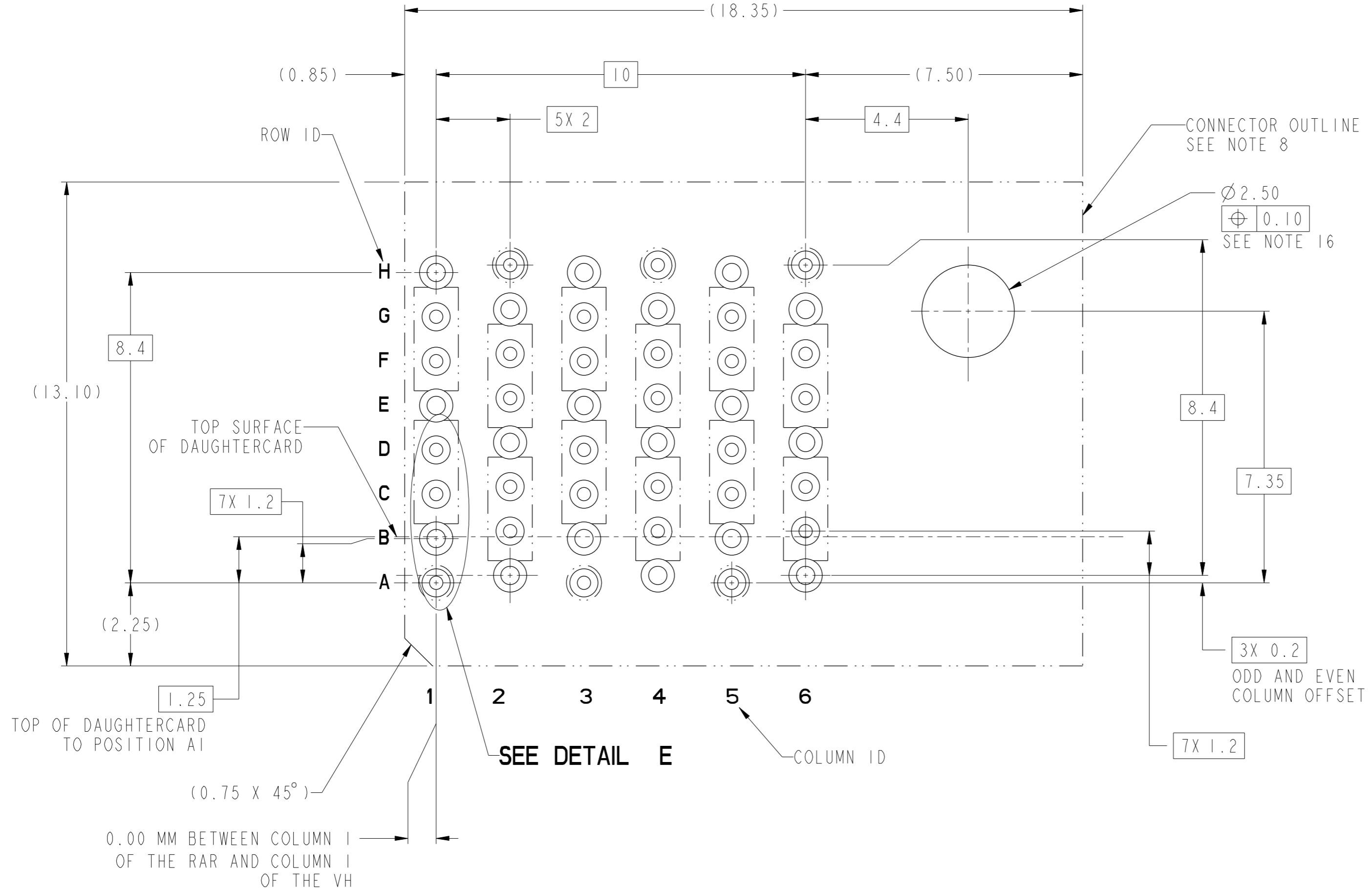
Copyright FCI.

spec ref	---	dr	Daniel Xiao	2014/01/21	projection	MM	size	A2	scale	3:1	
tolerance std	ASME Y14.5M	eng	Terry Luo	2015/05/14			ecn no	-	rel level	Released	
TOLERANCES UNLESS OTHERWISE SPECIFIED		chr	Martin Li	2015/05/14							
surface		linear	0.X	±.3		title ExaMAX VERTICAL HEADER ASS'Y, 2 PAIR, 48 POS, 6 IMLA	dwg no 10128334	rev A	cat. no. SEE TABLE	Product - Customer Drw	sheet 12 of 17
			0.XX	±.10							
			0.XXX	±.050							
		angular	0°	±2°	www.fci.com						

PDS: Rev :A

STATUS:Released

Printed: May 15, 2015

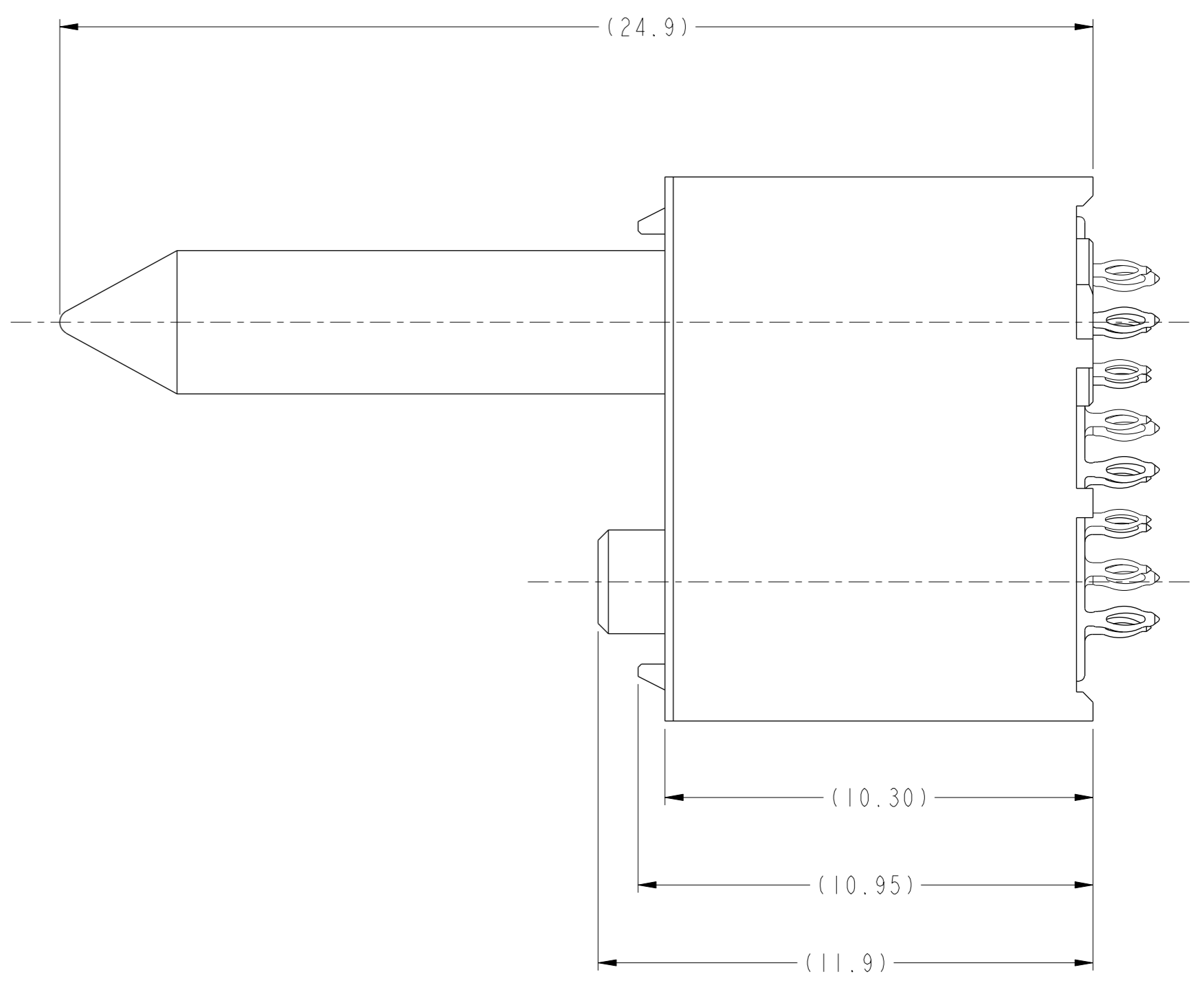
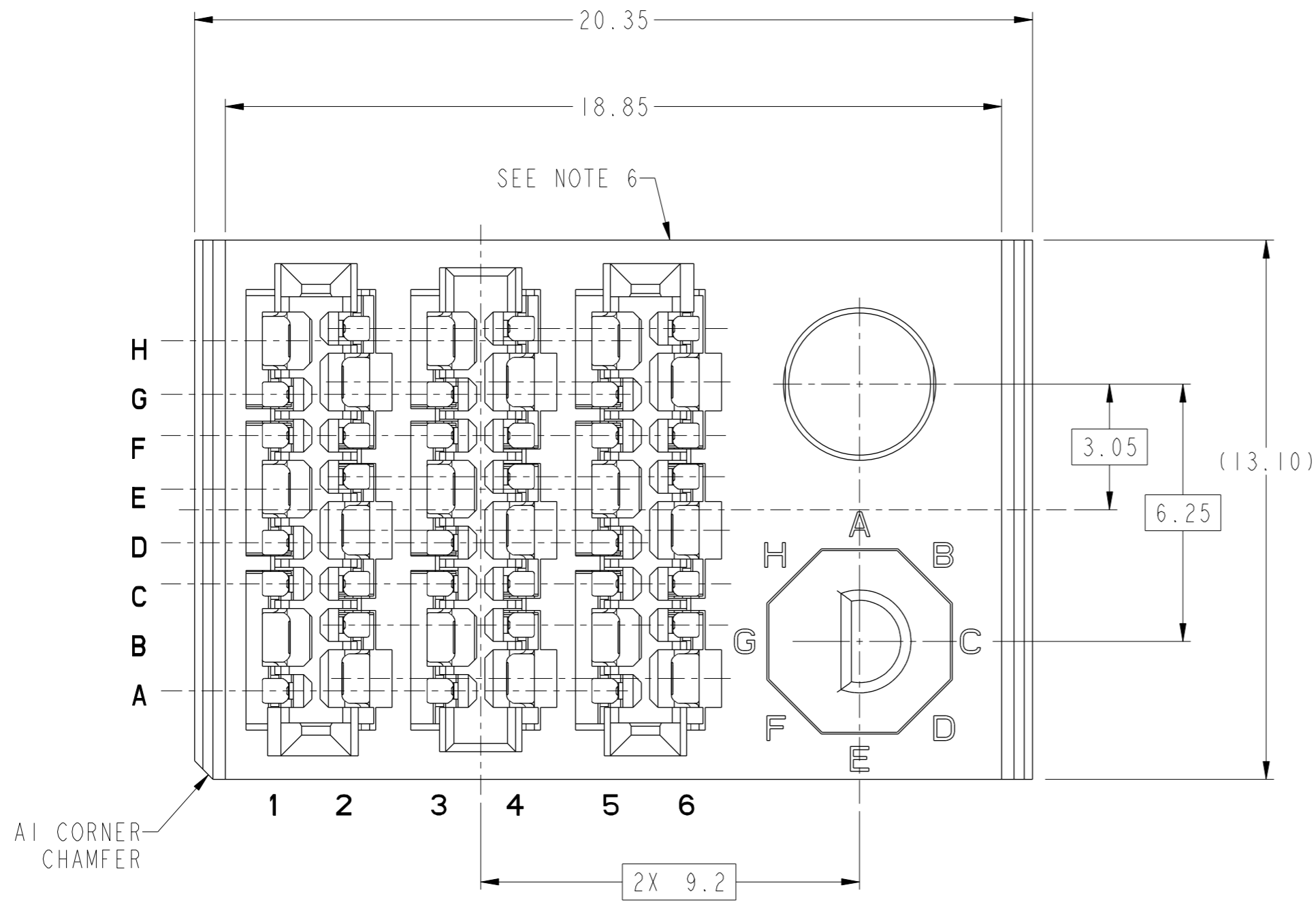


DETAIL E
SCALE 20:1

RECOMMENDED PCB LAYOUT FOR
10128334-Y2YLF w/o END WALLS
COMPONENT SIDE
SEE NOTES 8, 9, 11, & 16

Copyright FCI.

spec ref	---	dr	Daniel Xiao	2014/01/21	projection	MM	size	A2	scale	2:1
tolerance std	ASME Y14.5M	eng	Terry Luo	2015/05/14			ecn no	-	rel level	Released
TOLERANCES UNLESS OTHERWISE SPECIFIED		chr	Martin Li	2015/05/14						
surface	✓	appr	Collins Lu	2015/05/14	product family	ExaMAX	cat. no.	10128334	rev	A
	linear	0.X	±.3		title		ExaMAX VERTICAL HEADER		Product - Customer Drw	
		0.XX	±.10		ASS'Y, 2 PAIR, 48 POS, 6 IMLA		SEE TABLE		sheet 13 of 17	
	angular	0°	±2°		www.fci.com		Product - Customer Drw		sheet 13 of 17	



10128334-Y2LLF THRU -Y2WLF
 LEFT GUIDANCE CONNECTOR w/END WALLS (SEE NOTE 17)
 FOR ALL OTHER DIMENSIONS SEE SHEET 1



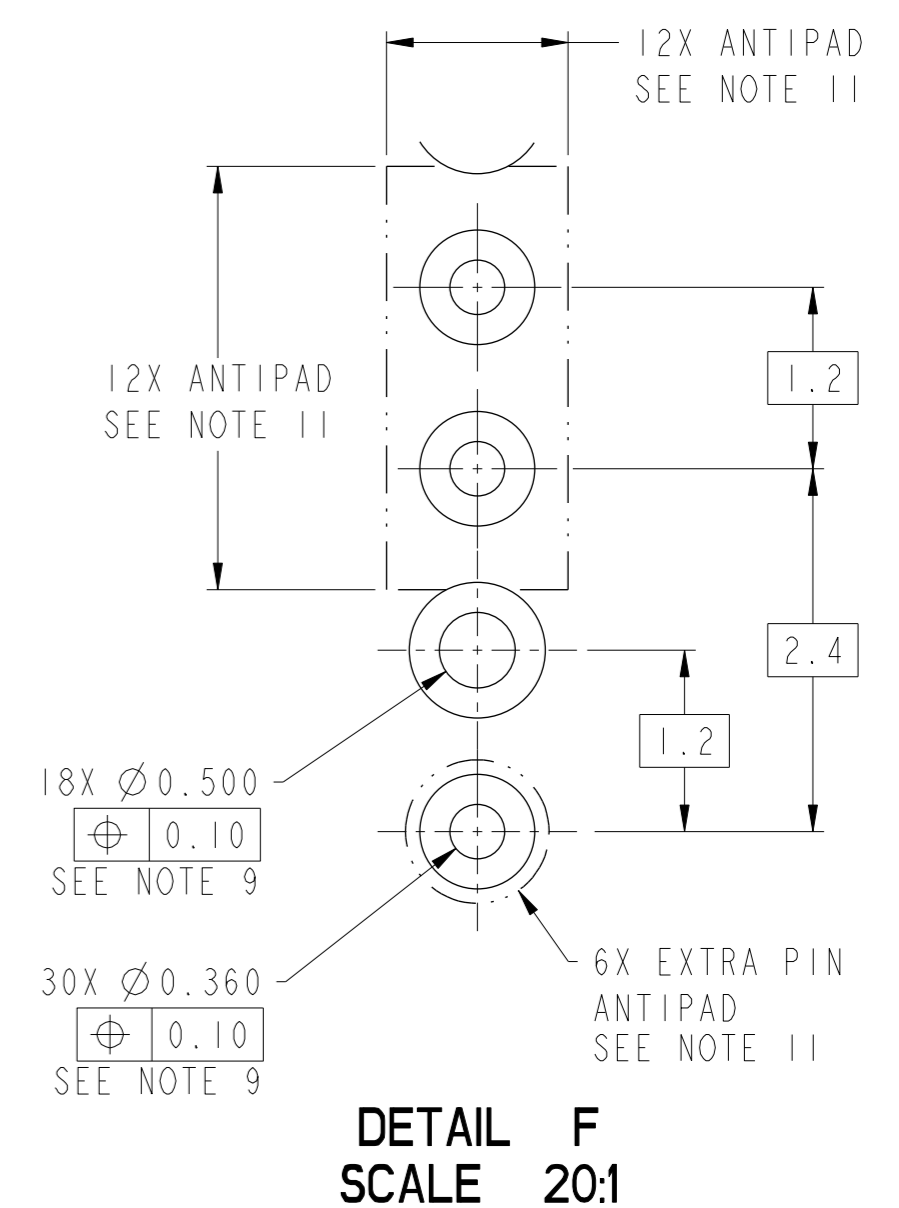
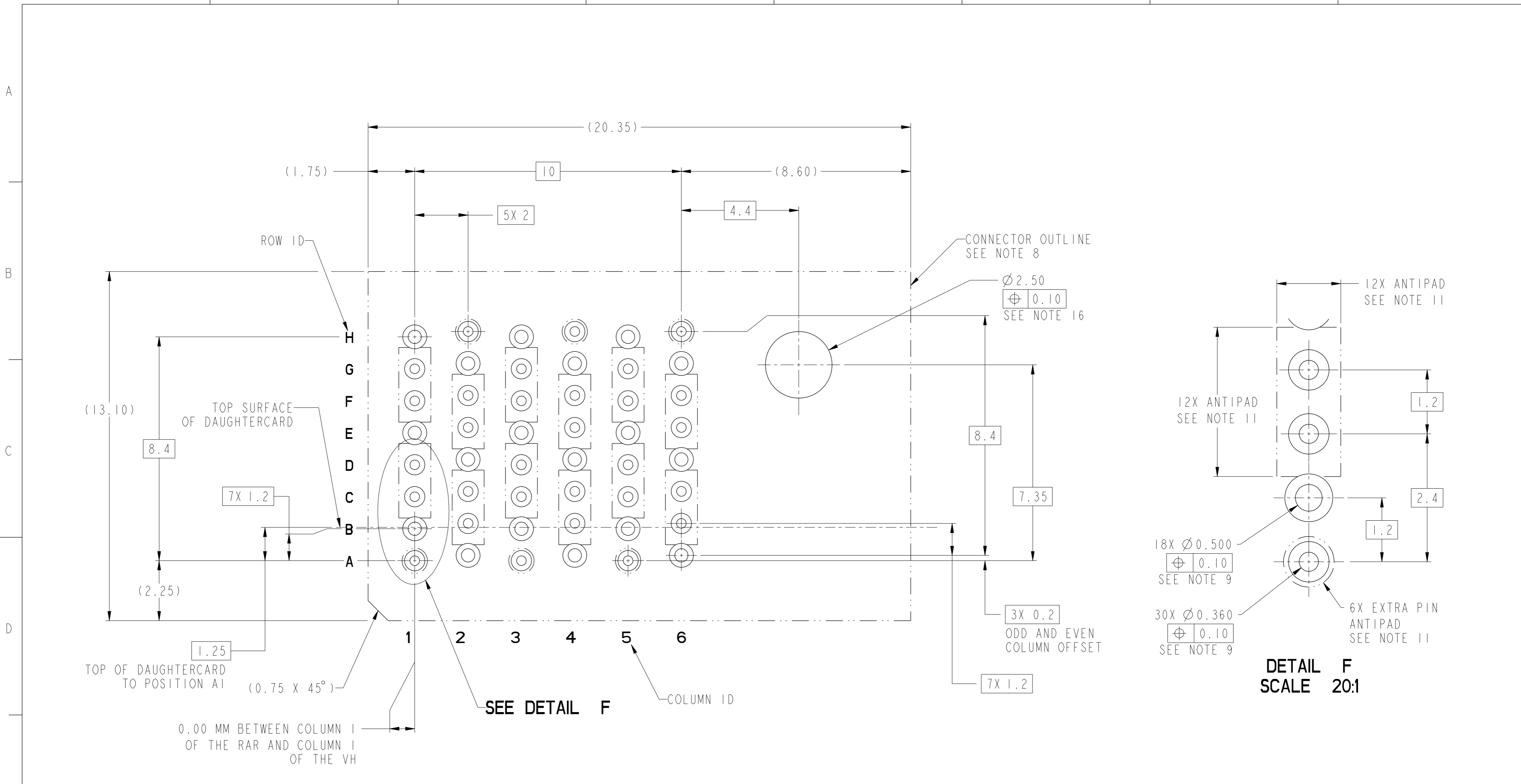
Copyright FCI.

spec ref	---	dr	Daniel Xiao	2014/01/21	projection	MM	size	A2	scale	2:1
tolerance std	ASME Y14.5M	eng	Terry Luo	2015/05/14			ecn no	-	rel level	Released
TOLERANCES UNLESS OTHERWISE SPECIFIED		chr	Martin Li	2015/05/14						
		appr	Collins Lu	2015/05/14						
surface	✓	linear	0.X	±.3		title ExaMAX VERTICAL HEADER ASS'Y, 2 PAIR, 48 POS, 6 IMLA	no 10128334	rev A	angular 0°	±2°
			0.XX	±.10						
			0.XXX	±.050						
		angular	0°	±2°	www.fci.com	cat. no.	SEE TABLE	Product - Customer	Drw	sheet 14 of 17

PDS: Rev :A

STATUS:Released

Printed: May 15, 2015



**RECOMMENDED PCB LAYOUT FOR
10128334-Y2YLF w/END WALLS
COMPONENT SIDE
SEE NOTES 8, 9, 11, & 16**

Copyright FCI.

spec ref	---	dr	Daniel Xiao	201401/21	projection	MM	size	A2	scale	2:1
tolerance std	ASME Y14.5M	eng	Terry Luo	201505/14			ecn no	-	rel level	Released
TOLERANCES UNLESS OTHERWISE SPECIFIED		chr	Martin Li	201505/14						
surface	✓	appr	Collins Lu	201505/14	product family	ExaMAX	cat. no.	10128334	rev	A
linear	0.X ±.3	www.fci.com		title	ExaMAX VERTICAL HEADER ASS'Y, 2 PAIR, 48 POS, 6 IMLA		Product - Customer Drw	sheet 15 of 17		
linear	0.XX ±.10			SEE TABLE						
linear	0.XXX ±.050									
angular	0° ±2°									

PDS: Rev :A

STATUS:Released

Printed: May 15, 2015

10128334 - Y Y Y L F

ASSEMBLY PART NUMBER	DESCRIPTION
10128334-1YYLF	STANDARD MATE
10128334-2YYLF	ADVANCED MATE
10128334-3YYLF	SHORT DETECT
10128334-4YYLF	ADVANCED MATE & SHORT DETECT

MODULE DESCRIPTION	DESIGNATION REPRESENTED IN DASH NUMBER									BASE MODULE
WITHOUT END WALLS (SEE SHEET 1)	01									
WITH END WALLS (SEE SHEET 6)	02									
RIGHT GUIDANCE MODULE, WITHOUT END WALLS (SEE SHEET 8)	1A	1B	1C	1D	1E	1F	1G	1H	1J (NO KEY)	
RIGHT GUIDANCE MODULE, WITH END WALLS (SEE SHEET 10)	1L	1M	1N	1P	1R	1T	1U	1V	1W (NO KEY)	
LEFT GUIDANCE MODULE, WITHOUT END WALLS (SEE SHEET 12)	2A	2B	2C	2D	2E	2F	2G	2H	2J (NO KEY)	
LEFT GUIDANCE MODULE, WITH END WALLS (SEE SHEET 14)	2L	2M	2N	2P	2R	2T	2U	2V	2W (NO KEY)	

spec ref	---	dr	Daniel Xiao	2014/01/21	projection	MM	size	A2	scale	5:1	
tolerance std	ASME Y14.5M	eng	Terry Luo	2015/05/14		←	ecn no	-	rel level	Released	
TOLERANCES UNLESS OTHERWISE SPECIFIED		chr	Martin Li	2015/05/14							product family
surface	✓	appr	Collins Lu	2015/05/14	www.fci.com		cat. no.	SEE TABLE	Product - Customer Drw	sheet 16 of 17	
linear	0.X ±.3	FCI		TITLE		ExaMAX VERTICAL HEADER		no	10128334	rev	A
angular	0° ±2°	www.fci.com		cat. no.		SEE TABLE		Product - Customer Drw	sheet 16 of 17		



NOTES:

- ① - CONNECTOR MATERIALS:
HOUSING: HIGH TEMP THERMOPLASTIC, BLACK, UL94-V0
IMLA PLASTIC: HIGH TEMP THERMOPLASTIC, BLACK, UL94-V0
CONTACT: COPPER ALLOY
GUIDE PIN: ZINC ALLOY
POLARIZING PIN: ZINC ALLOY
- 2 - CONTACT PLATING:
SEPARABLE INTERFACE:
PERFORMANCE-BASED PLATING, QUALIFIED TO MEET THE REQUIREMENTS OF FCI PRODUCT SPECIFICATION GS-12-1096 INCLUDING TELCORDIA GR-1217-CORE (NOVEMBER 1995) CENTRAL OFFICE TEST SEQUENCE

PRESS-FIT TAILS: TIN OVER NICKEL (LEAD FREE)
- 3 - PRODUCT SPECIFICATION: GS-12-1096
- 4.- APPLICATION SPECIFICATION GS-20-0361.
- 5 - PACKAGING MEETS GS-14-920 LEAD FREE LABELING SPECIFICATION.
- ⑥ - PRODUCT MARKING, (PROTOTYPE, PART NUMBER & LOT CODE), ON THIS SURFACE.
- ⑦ - THE MINIMUM CENTERLINE SPACING BETWEEN ADJACENT MODULES IS 12.0 mm FOR 10128334-101LF AND 14.0 mm FOR 10128334-102LF.
- ⑧ - CONNECTOR OUTLINE MAY BE SCREEN PRINTED ONTO CUSTOMER PCB TO BE USED AS A GUIDE FOR MANUAL CONNECTOR PLACEMENT.
- ⑨ - REFER TO CUSTOMER DRAWING 10119933 FOR INFORMATION ON PCB HOLE DIAMETERS AND PLATING OPTIONS
- ⑩ - THIS PRODUCT MEETS THE EUROPEAN UNION DIRECTIVES & OTHER COUNTRY REGULATIONS AS DESCRIBED IN GS-47-0004.
- ⑪ - REFER TO APPLICATION SPECIFICATION FOR TRACE ROUTING EXAMPLES THAT INCLUDE DIMENSIONS FOR ANTIPADS, TRACE WIDTH, TRACE SPACING, ETC.
- 12 - THE HOUSING WILL WITHSTAND EXPOSURE TO 260° C FOR 10-30 SECONDS IN A CONVECTION, INFRA-RED OR VAPOR PHASE REFLOW OVEN.
- ⑬ - THE ADVANCED MATE HEADER, 10128334-2XXLF, WHEN MATED WITH AN ADVANCED MATE RIGHT ANGLE RECEPTACLE, 10128332-2XXLF, WILL PROVIDE 2 PAIRS OF MATING CONTACTS THAT MATE 0.75MM BEFORE THE REMAINDER OF THE SIGNAL AND GROUND CONTACTS.
- ⑭ - THE SHORT DETECT HEADER, 10128334-3XXLF, WHEN MATED WITH A RIGHT ANGLE RECEPTACLE, 10128332-1XXLF, WILL PROVIDE 1 PAIR OF MATING CONTACTS THAT MATE 1.00 MM AFTER THE REMAINDER OF THE SIGNAL AND GROUND CONTACTS.
- ⑮ - THE ADVANCED MATE / SHORT DETECT HEADER, 10128334-4YYLF, WHEN MATED WITH AN ADVANCED MATE RECEPTACLE, 10128332-2YYLF, WILL PROVIDE 2 PAIRS OF MATING CONTACTS THAT MATE 0.75MM BEFORE THE REMAINDER OF THE SIGNAL AND GROUND CONTACTS AND 1 PAIR OF MATING CONTACTS THAT MATE 1.00MM AFTER THE REMAINDER OF THE SIGNAL AND GROUND CONTACTS.
- ⑯ - FOR CONNECTORS WITH EITHER A RIGHT OR LEFT GUIDE MODULE, A PHILLIPS PAN HEAD M2 X 0.4 HOLD-DOWN SCREW SHALL BE USED TO SECURE THE CONNECTOR AND GUIDE PIN TO THE PCB. THE SCREW LENGTH SHALL BE 2.0-6.0 MM PLUS THE THICKNESS OF THE PCB. SCREW IS NOT PROVIDED WITH THE CONNECTOR.
- ⑰ - LEFT / RIGHT INTEGRATED GUIDE ORIENTATION IS DETERMINED BY THE LOCATION OF THE GUIDE FEATURES WHEN LOOKING AT THE MATING FACE OF THE RIGHT ANGEL RECEPTACLE. THE LEFT / RIGHT DESIGNATION OF THE MATING HEADER IS DEFINED BY THE RIGHT ANGEL RECEPTACLE THAT IT MATES WITH (i. e. A RIGHT GUIDE VERTICAL HEADER MATES WITH A RIGHT GUIDE ANGEL RECEPTACLE.)

spec ref	---	dr	Daniel Xiao	2014/01/21	projection	MM	size	A2	scale	2:1												
tolerance std	ASME Y14.5M	eng	Terry Luo	2015/05/14			ecn no	-	rel level													
TOLERANCES UNLESS OTHERWISE SPECIFIED		chr	Martin Li	2015/05/14			Released															
surface	<table border="1"> <tr> <td>linear</td> <td>0.X</td> <td>±.3</td> </tr> <tr> <td></td> <td>0.XX</td> <td>±.10</td> </tr> <tr> <td></td> <td>0.XXX</td> <td>±.050</td> </tr> <tr> <td>angular</td> <td>0°</td> <td>±2°</td> </tr> </table>	linear	0.X	±.3		0.XX	±.10		0.XXX	±.050	angular	0°	±2°	appr	Collins Lu	2015/05/14	product family	ExaMAX	no	10128334	rev	A
linear	0.X	±.3																				
	0.XX	±.10																				
	0.XXX	±.050																				
angular	0°	±2°																				
				title ExaMAX VERTICAL HEADER ASS'Y, 2 PAIR, 48 POS, 6 IMLA		cat. no. SEE TABLE		Product - Customer Drw		sheet 17 of 17												

