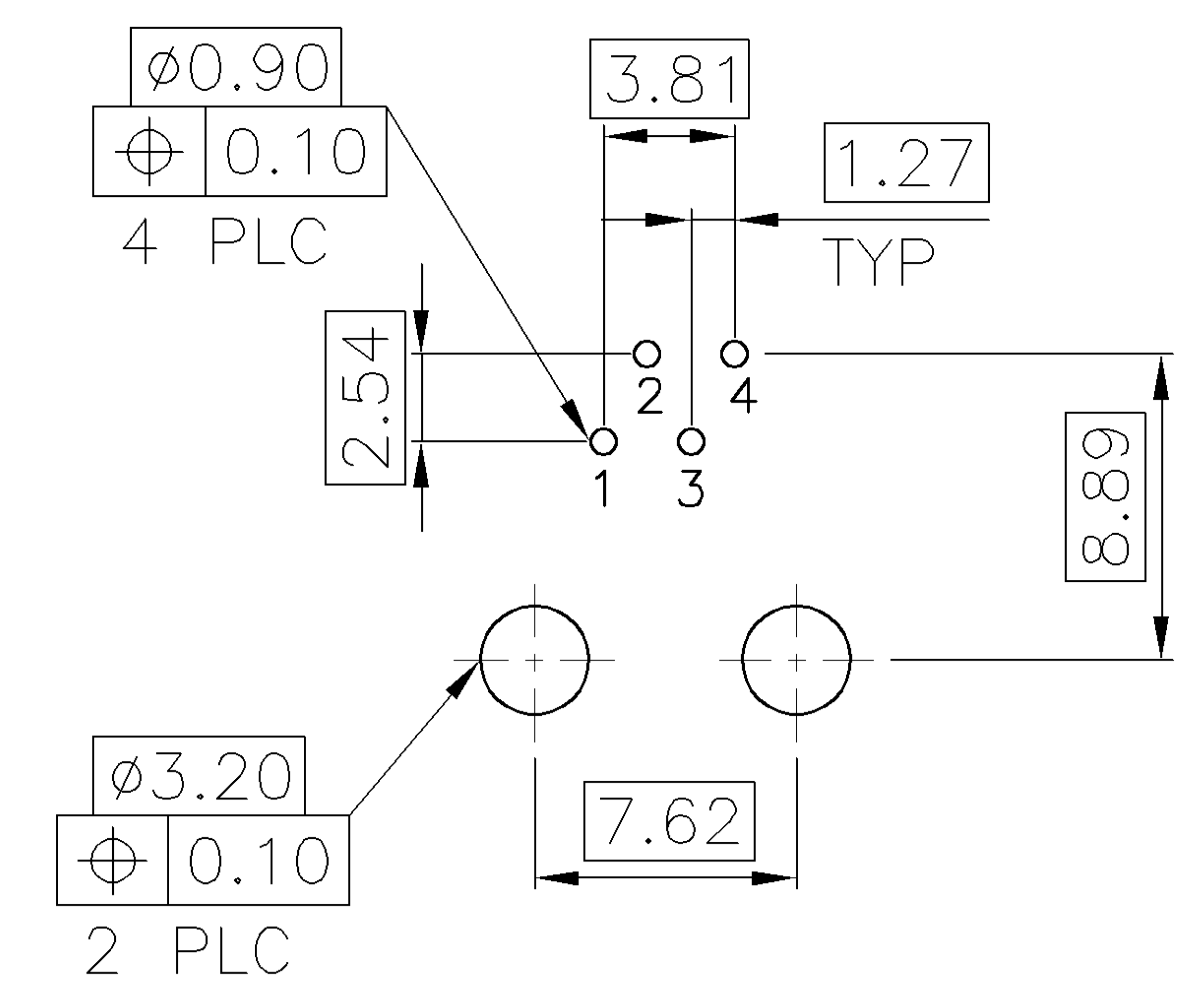
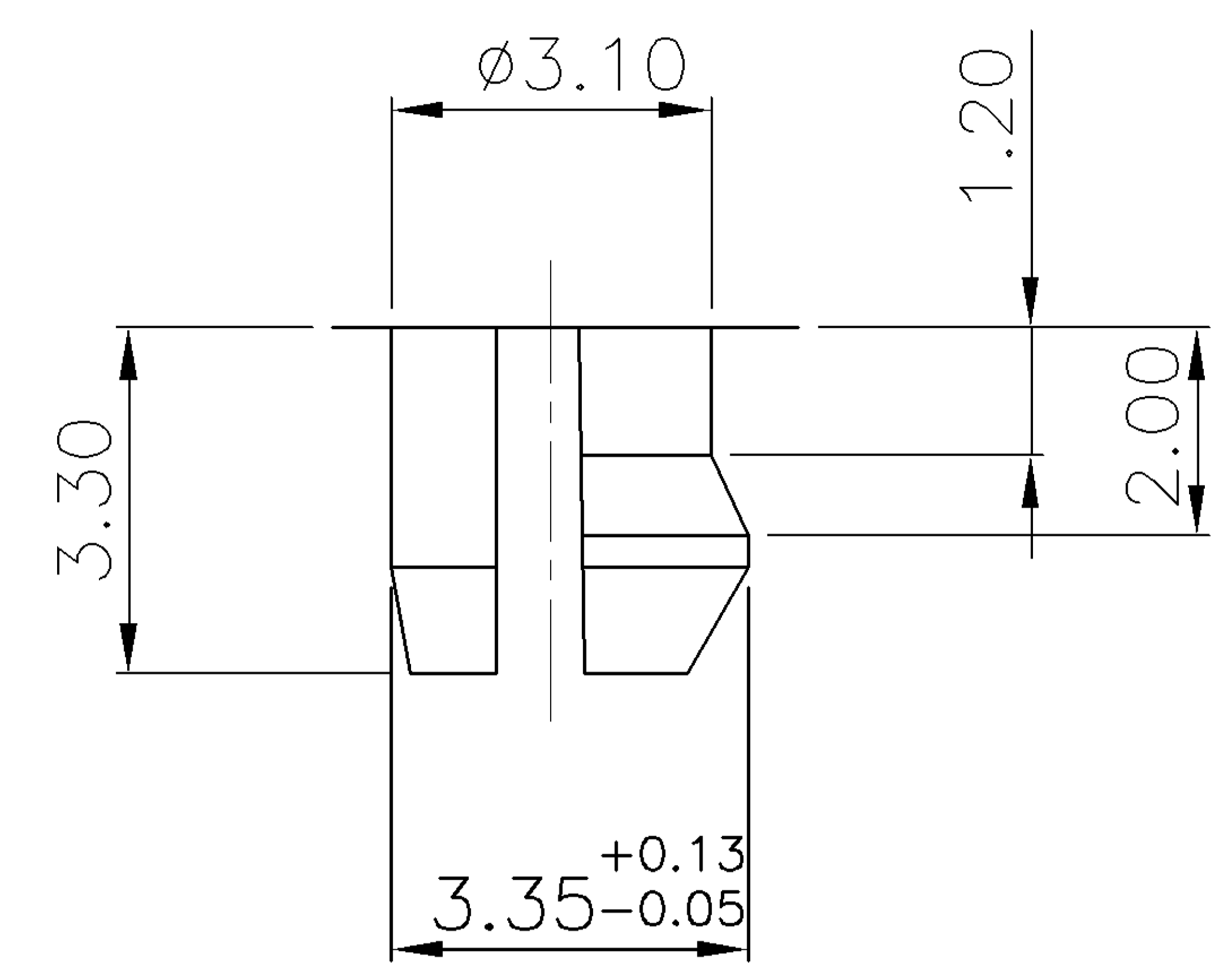
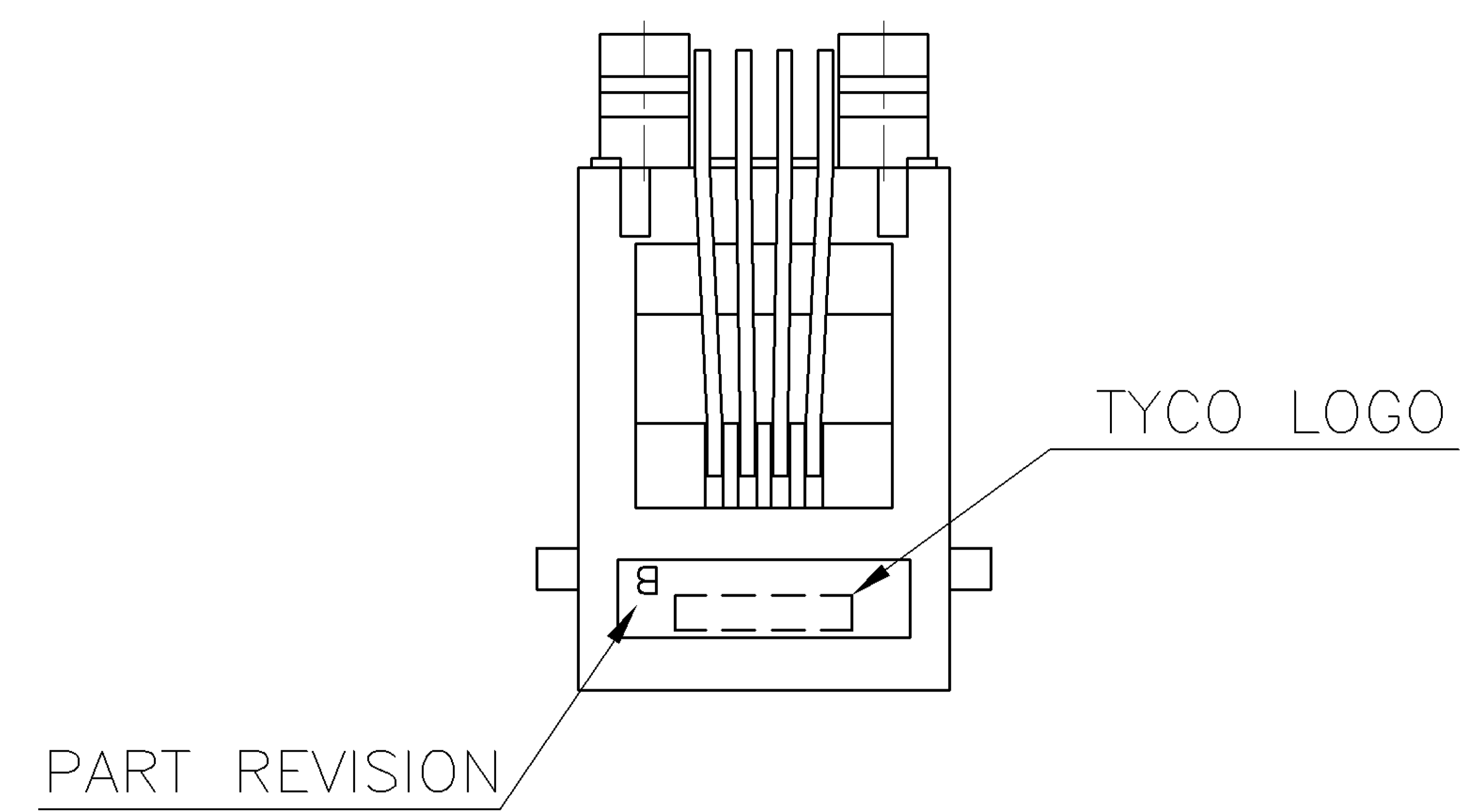


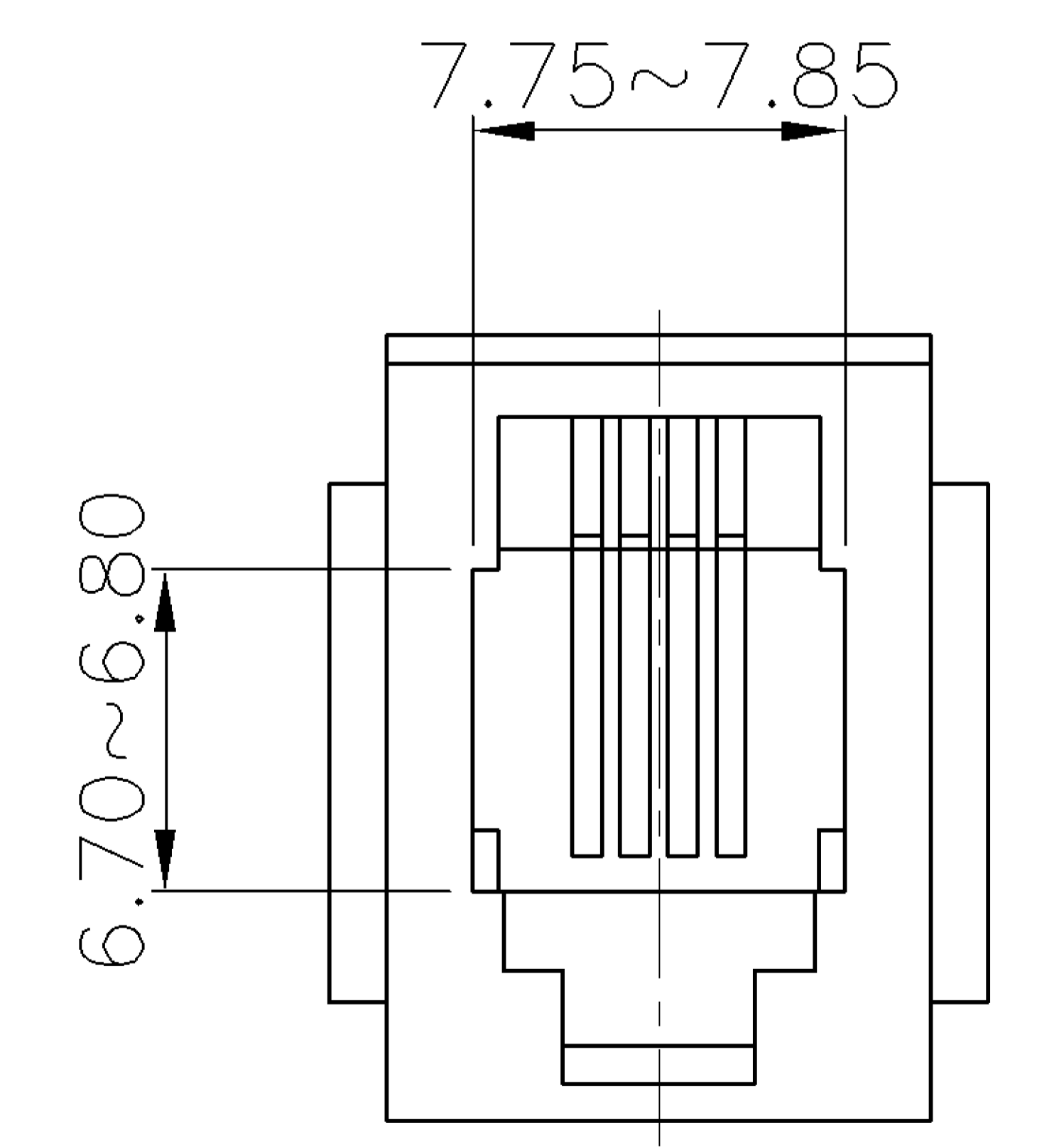
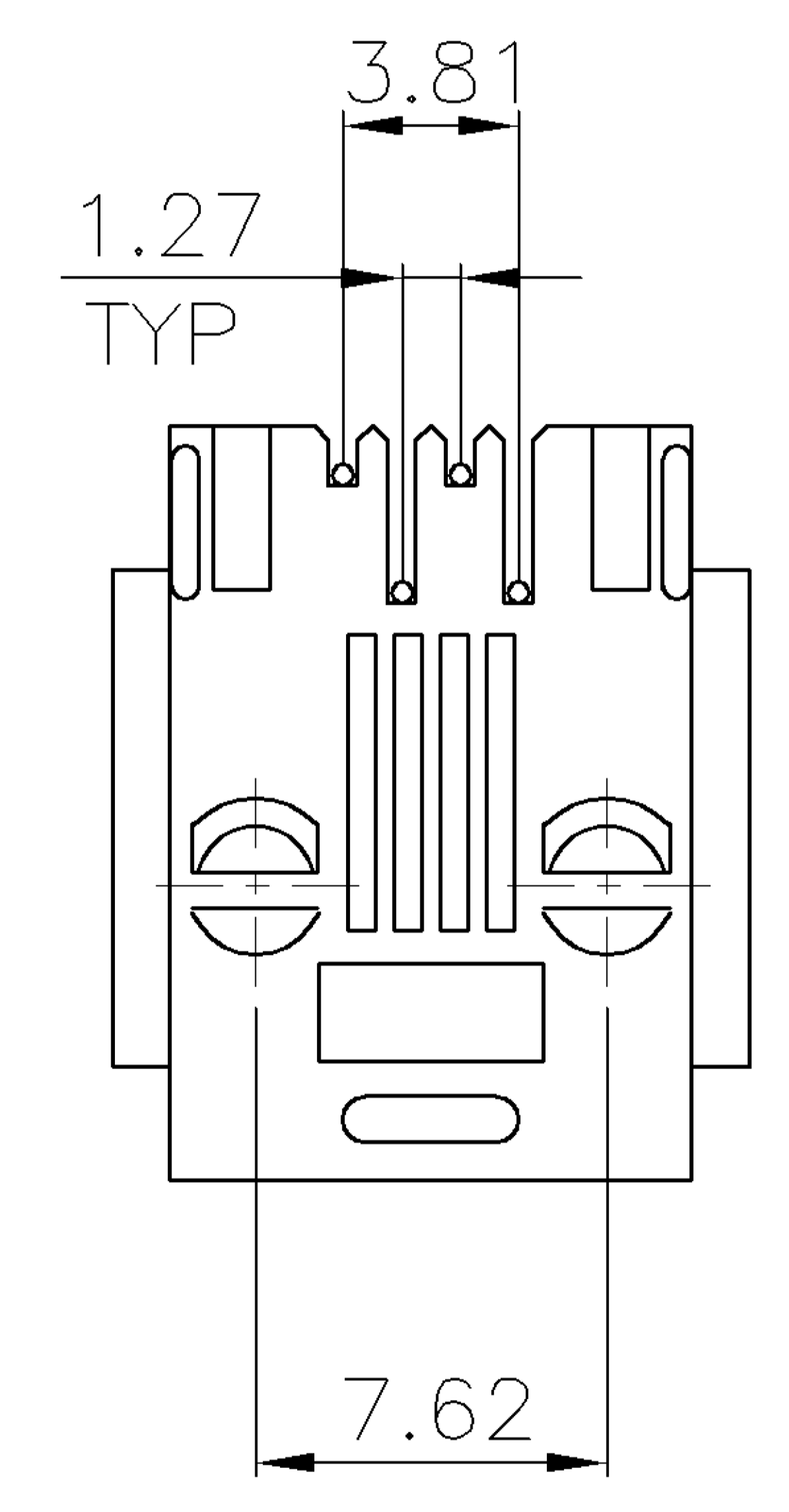
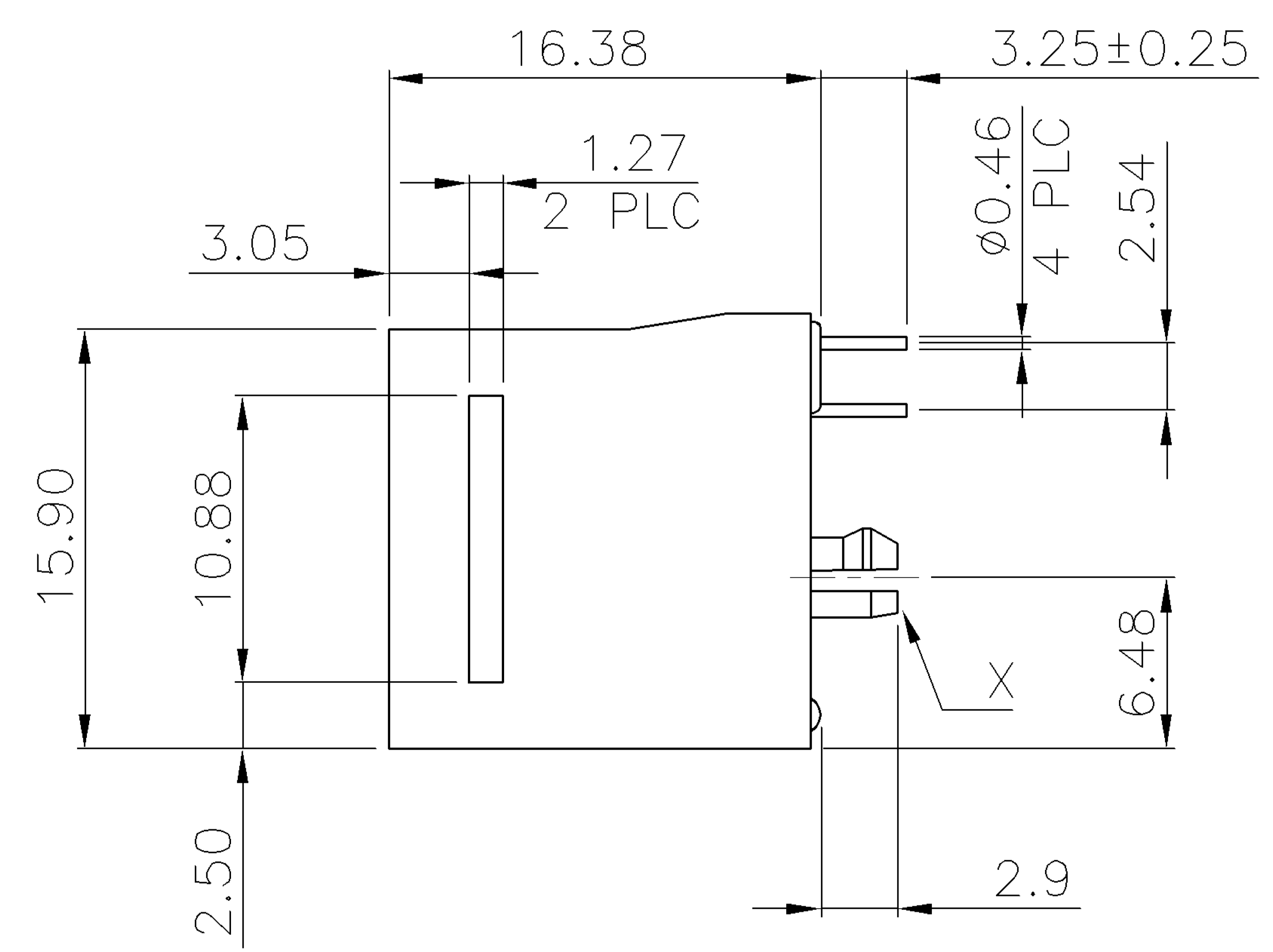
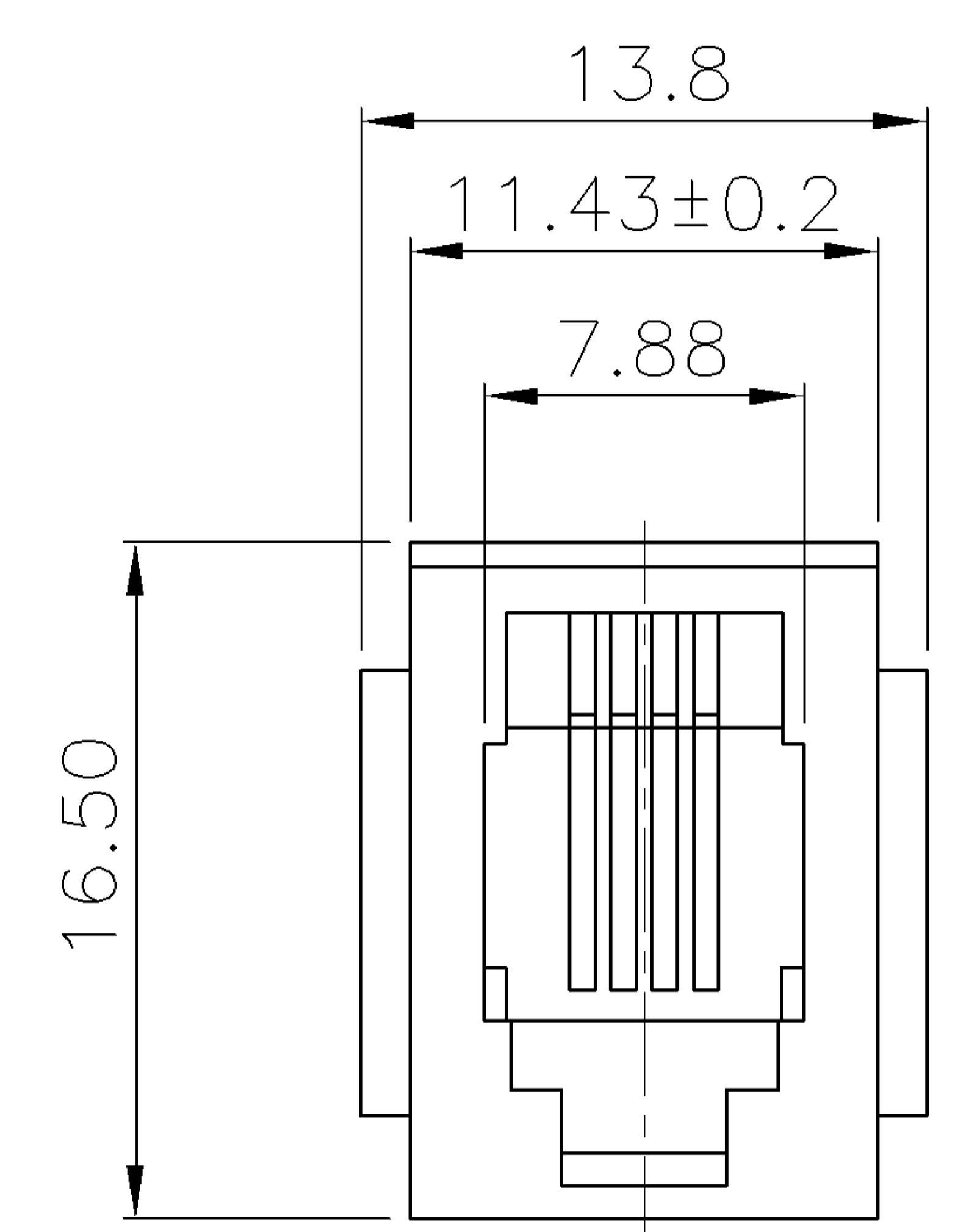
THIS DRAWING IS UNPUBLISHED. RELEASED FOR PUBLICATION
 © COPYRIGHT BY ALL RIGHTS RESERVED.

LOC	DIST	REVISIONS					
DW	—	P	LTR	DESCRIPTION	DATE	DWN	APVD
		B2		REVISED PER ECO-11-005301	6APR11	RK	HMR



RECOMMENDED PCB LAYOUT (THICKNESS: 1.6mm)
 DIMENSION TOLERANCE: 1 PLC: ±0.1 2PLC: ±0.05

- NOTE:
- MATERIAL:
 HOUSING: THERMOPLASTIC (SEE TABLE), WITH 30% GF, UL 94V-0, BLACK COLOR.
 CONTACTS: PHOSPHOR BRONZE.
 - FINISH:
 CONTACTS: (SEE TABLE) GOLD PLATED ON CONTACT AREA, WITH ENTIRE CONTACT UNDERPLATED 1.27µm [50µ"] MIN. NICKEL.
- ⚠ WAVE SOLDER CAPABLE TO 240°C PER TE Connectivity TEST SPEC. 109-202, CONDITION A.
 - ⚠ WAVE SOLDER CAPABLE TO 265°C PER TE Connectivity TEST SPEC. 109-202, CONDITION B.
 - ⚠ OBSOLETE PARTS: OBSOLETE CIS STREAMLINING PER D.RENAUD/D.SINISI

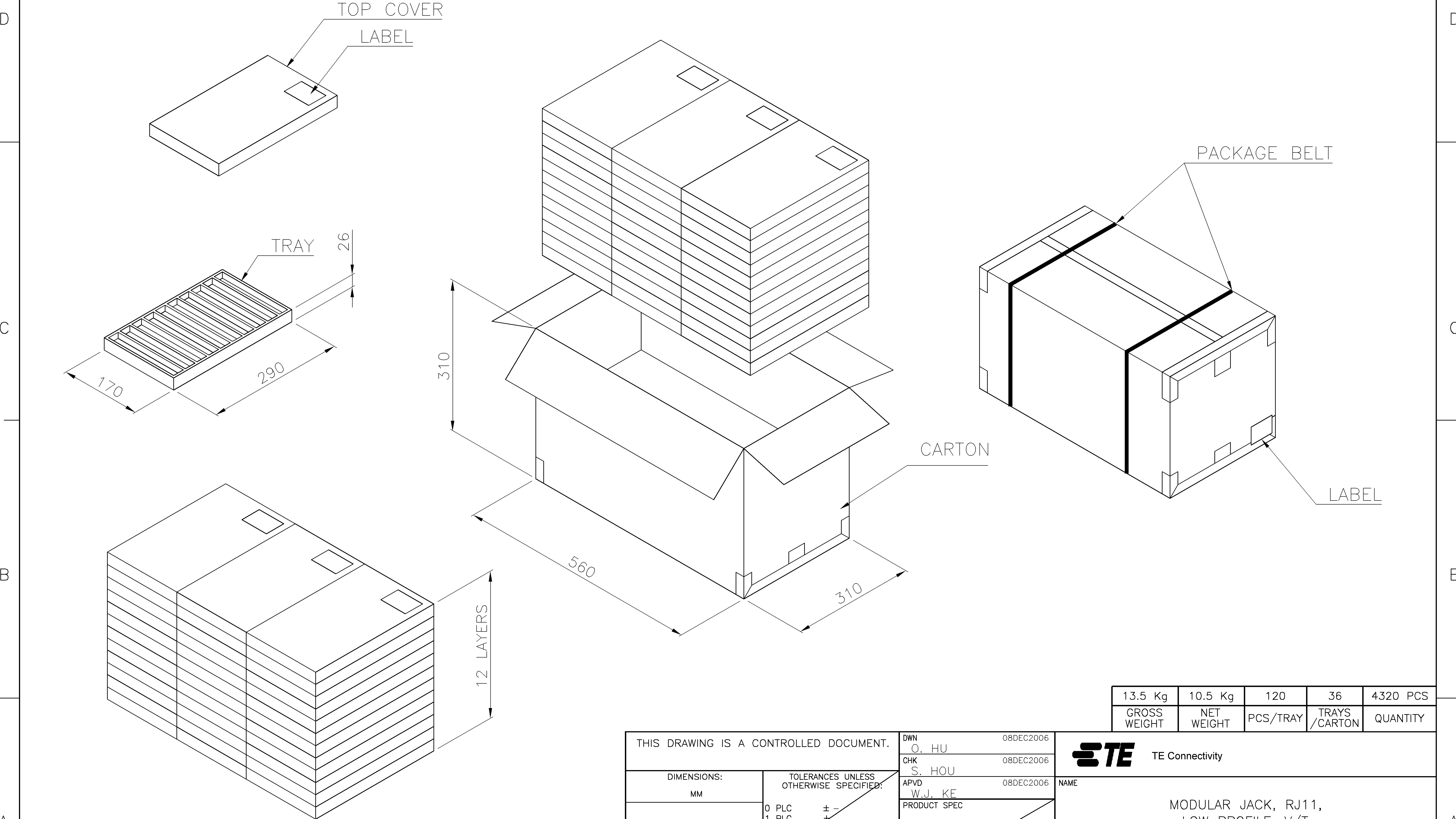


FOR 1-1775090-5 ONLY

THIS DRAWING IS A CONTROLLED DOCUMENT.		DWN O. HU 08DEC2006				
DIMENSIONS: MM		CHK S. HOU 08DEC2006				
TOLERANCES UNLESS OTHERWISE SPECIFIED:		APVD W.J. KE 08DEC2006	NAME			
0 PLC ± 0.50 1 PLC ± 0.38 2 PLC ± 0.25 3 PLC ± 0.10 4 PLC ± - ANGLES ± -		PRODUCT SPEC 108-57535	MODULAR JACK, RJ11, LOW PROFILE, V/T			
MATERIAL SEE NOTE		QUALIFICATION TEST REPORT 501-57615	SIZE A3	CAGE CODE 00779	DRAWING NO C-1775090	RESTRICTED TO —
FINISH SEE NOTE		WEIGHT 2.5 GRAMS	CUSTOMER DRAWING		SCALE —	SHEET 1 OF 2
					REV B2	

THIS DRAWING IS UNPUBLISHED. RELEASED FOR PUBLICATION - , - .
 © COPYRIGHT - BY - ALL RIGHTS RESERVED.

LOC	DIST	REVISIONS					
DW	-	P	LTR	DESCRIPTION	DATE	DWN	APVD
				SEE SHEET 1.			



13.5 Kg	10.5 Kg	120	36	4320 PCS
GROSS WEIGHT	NET WEIGHT	PCS/TRAY	TRAYS /CARTON	QUANTITY

THIS DRAWING IS A CONTROLLED DOCUMENT.		DWN	O. HU	08DEC2006	TE TE Connectivity	NAME MODULAR JACK, RJ11, LOW PROFILE, V/T															
DIMENSIONS: MM		CHK	S. HOU	08DEC2006																	
TOLERANCES UNLESS OTHERWISE SPECIFIED:		APVD	W.J. KE	08DEC2006																	
<table border="1"> <tr><td>0 PLC</td><td>± -</td></tr> <tr><td>1 PLC</td><td>± -</td></tr> <tr><td>2 PLC</td><td>± -</td></tr> <tr><td>3 PLC</td><td>± -</td></tr> <tr><td>4 PLC</td><td>± -</td></tr> <tr><td>ANGLES</td><td>± -</td></tr> </table>		0 PLC	± -	1 PLC	± -	2 PLC	± -	3 PLC	± -	4 PLC	± -	ANGLES	± -	PRODUCT SPEC		-		SIZE	CAGE CODE	DRAWING NO	RESTRICTED TO
0 PLC	± -																				
1 PLC	± -																				
2 PLC	± -																				
3 PLC	± -																				
4 PLC	± -																				
ANGLES	± -																				
MATERIAL		FINISH		-		A3 00779		C=1775090	-												
CUSTOMER DRAWING					SCALE	-	SHEET	2 OF 2	REV	B2											