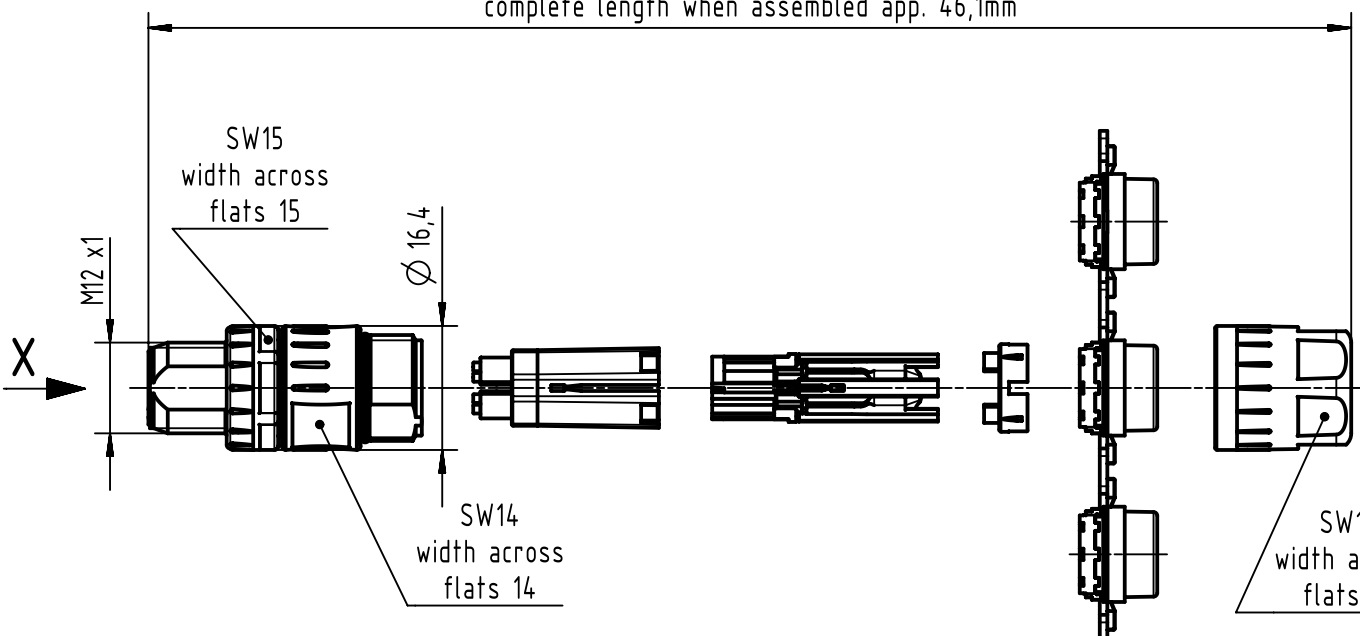


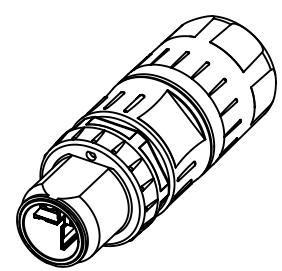
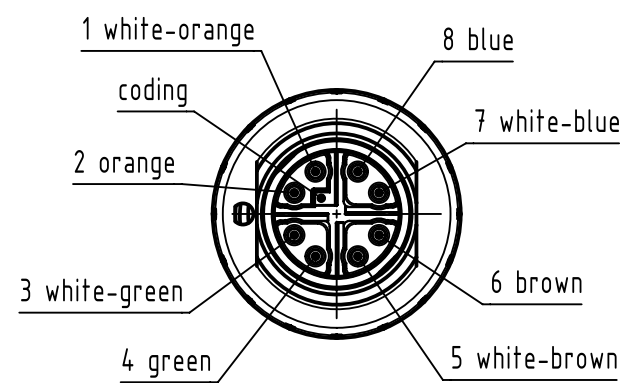
1 2 3 4 5 6

complete length when assembled app. 46,1mm



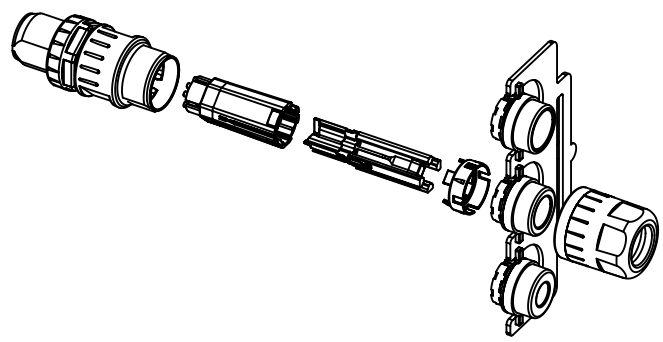
X (2:1)

contact face acc. to IEC 61076-2-109



order contacts separately

cable ϕ	wire gauge	part-no.
4,5-8,8mm	AWG 24-28	21 01 100 9014
	AWG 23-26	21 01 100 9019



	All Dimensions in mm Original Size DIN A4	Scale 1:1	Free size tol.			Ref.
	All rights reserved Department EC PD - DE	Created by BUSSMANT	Inspected by GENAU	Standardisation KOHLER	Date 2013-10-10	State Final Release
HARTING Electronics GmbH D-32339 Espelkamp		Title har-speed M12 crimp Slim 8-pole male				Doc-Key / ECM-Nr. 100520048/UGD/000/A 500000067018
		Type TB	Number 21038811805			Rev. A
					Page 1/1	