

I/O module - AXL F DI8/3 DO8/3 2H - 2702071

Please be informed that the data shown in this PDF Document is generated from our Online Catalog. Please find the complete data in the user's documentation. Our General Terms of Use for Downloads are valid (<http://phoenixcontact.com/download>)



Axioline F, Digital I/O module, Digital inputs: 8, 24 V DC, Connection method: 3-conductor, Digital outputs: 8, 24 V DC, 500 mA, Connection method: 3-conductor, Transmission speed in the local bus 100 MBit/s, Degree of protection IP20, including bus base module and Axioline F connectors

Product Description

The module is designed for use within an Axioline F station.

It is used to acquire and output digital signals.

The filter times of the inputs can be adjusted to increase noise immunity.

Filter times of 100 μ s enable the user to implement a counting function with a maximum input frequency of 5 kHz in the application.

The outputs are protected against short circuit and overload.

Why buy this product

- 8 digital inputs
- 8 digital outputs
- 24 V DC, 500 mA
- Connection of sensors in 2 and 3-wire technology
- Connection of actuators in 2 and 3-wire technology
- Minimum update time of < 100 μ s
- Device rating plate stored
- Diagnostic and status indicators

Key Commercial Data

Packing unit	1 STK
Weight per Piece (excluding packing)	220.000 g
Custom tariff number	85389091
Country of origin	Germany

Technical data

Dimensions

Width	35 mm
-------	-------

I/O module - AXL F DI8/3 DO8/3 2H - 2702071

Technical data

Dimensions

Height	129.9 mm
Depth	54 mm
Note on dimensions	The depth is valid when a TH 35-7.5 DIN rail is used (according to EN 60715).

Ambient conditions

Ambient temperature (operation)	-25 °C ... 60 °C
Ambient temperature (storage/transport)	-40 °C ... 85 °C
Permissible humidity (operation)	5 % ... 95 % (non-condensing)
Permissible humidity (storage/transport)	5 % ... 95 % (non-condensing)
Air pressure (operation)	70 kPa ... 106 kPa (up to 3000 m above sea level)
Air pressure (storage/transport)	70 kPa ... 106 kPa (up to 3000 m above sea level)
Degree of protection	IP20

Connection data

Designation	Axioline F connector
Connection method	Push-in connection
Note on connection method	Please observe the information provided on conductor cross sections in the "Axioline F: system and installation" user manual.
Conductor cross section solid min.	0.2 mm ²
Conductor cross section solid max.	1.5 mm ²
Conductor cross section flexible min.	0.2 mm ²
Conductor cross section flexible max.	1.5 mm ²
Conductor cross section AWG min.	24
Conductor cross section AWG max.	16
Stripping length	8 mm

General

Mounting type	DIN rail
Net weight	159 g
Note on weight specifications	with connectors and bus base module
Diagnostics messages	I/O supply failure Yes
	Short-circuit / overload of the digital outputs Yes

Interfaces

Fieldbus system	Lokalbus
Designation	Axioline F local bus
Connection method	Bus base module
Transmission speed	100 MBit/s

Axioline potentials

I/O module - AXL F DI8/3 DO8/3 2H - 2702071

Technical data

Axioline potentials

Communications power U_{Bus}	5 V DC (via bus base module)
Current consumption from U_{Bus}	max. 120 mA
Digital input and output module supply U_{IO}	24 V DC
Current consumption from U_{IO}	max. 6 A (external fuse)

Digital inputs

Input name	Digital inputs
Description of the input	EN 61131-2 types 1 and 3
Connection method	Push-in connection
	3-conductor
Number of inputs	8
Protective circuit	Polarity reversal protection of the inputs Electronic
Input filter time	3000 μ s (default)
Input voltage range "0" signal	-3 V DC ... 5 V DC
Input voltage range "1" signal	11 V DC ... 30 V DC
Nominal input current at U_{IN}	2.4 mA

Digital outputs

Output name	Digital outputs
Connection method	Push-in connection
	3-conductor
Number of outputs	8
Protective circuit	Short-circuit protection, overload protection of the outputs Electronic
Output voltage	24 V DC
Nominal output voltage	24 V DC
Maximum output current per channel	500 mA
Maximum output current per module	8 A (external fuse)
Nominal load, inductive	max. 12 VA (1.2 H, 48 Ω , with nominal voltage)
Nominal load, lamp	max. 12 W (at nominal voltage)
Nominal load, ohmic	max. 12 W (48 Ω ; with nominal voltage)

Electrical isolation

Test section	5 V communications power (logic), 24 V supply (I/O) 500 V AC 50 Hz 1 min.
	5 V supply (logic)/functional earth ground 500 V AC 50 Hz 1 min.
	24 V supply (I/O) / functional earth ground 500 V AC 50 Hz 1 min.

Standards and Regulations

Mechanical tests	Vibration resistance in acc. with EN 60068-2-6/IEC 60068-2-6 5g
	Shock in acc. with EN 60068-2-27/IEC 60068-2-27 30g

I/O module - AXL F DI8/3 DO8/3 2H - 2702071

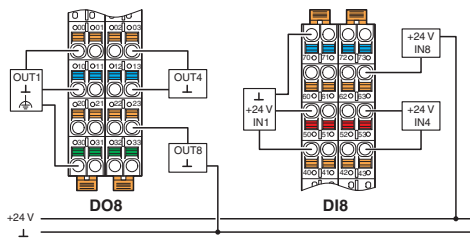
Technical data

Standards and Regulations

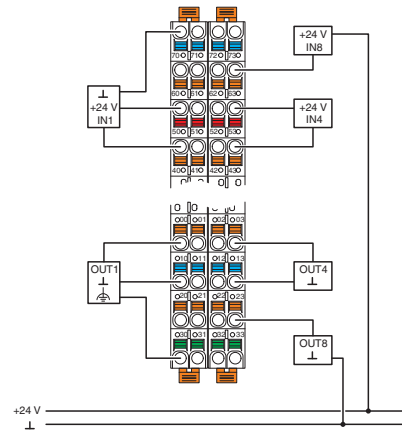
	Continuous shock according to EN 60068-2-27/IEC 60068-2-27 10g
Protection class	III, IEC 61140, EN 61140, VDE 0140-1

Drawings

Connection diagram

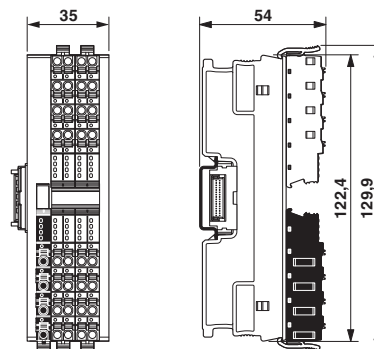


Connection diagram



Example of connection of sensors and actuators

Dimensional drawing



Classifications

eCl@ss

eCl@ss 5.1	27242604
eCl@ss 6.0	27242604
eCl@ss 8.0	27242604

I/O module - AXL F DI8/3 DO8/3 2H - 2702071

Classifications

eCl@ss

eCl@ss 9.0	27242604
------------	----------

ETIM

ETIM 5.0	EC001599
----------	----------

Approvals


Approvals


Approvals


UL Listed / cUL Listed / cULus Listed

Ex Approvals

Approval details

UL Listed  http://database.ul.com/cgi-bin/XYV/template/LISEXT/1FRAME/index.htm FILE E 238705

cUL Listed  http://database.ul.com/cgi-bin/XYV/template/LISEXT/1FRAME/index.htm FILE E 238705
--

cULus Listed 
--

Accessories

Accessories

DIN rail connector

Bus connector - AXL F BS H - 2700992



Axoline F bus base module for housing type H

I/O module - AXL F DI8/3 DO8/3 2H - 2702071

Accessories

Terminal marking

Zack marker strip - ZB 20,3 AXL UNPRINTED - 0829579



Zack marker strip for Axioline F (device labeling), in 2 x 20.3 mm pitch, unprinted, 25-section, for individual labeling with B-STIFT 0.8, X-PEN, or CMS-P1-PLOTTER

Zack Marker strip, flat - ZBF 10/5,8 AXL UNPRINTED - 0829580



Zack marker strip, flat, in 10 mm pitch, unprinted, 10-section, for individual labeling with M-PEN 0,8, X-PEN, or CMS-P1-PLOTTER