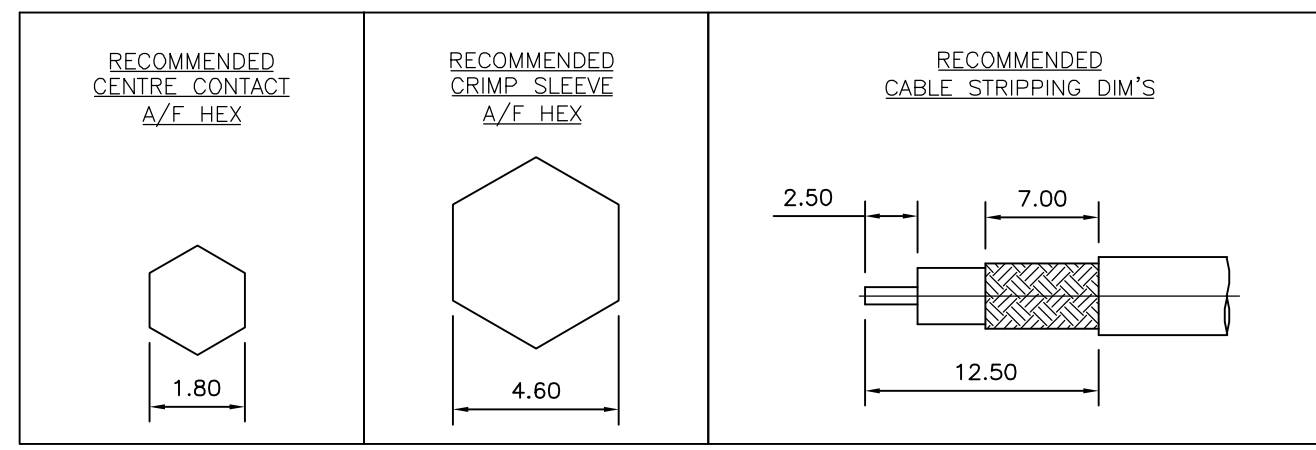
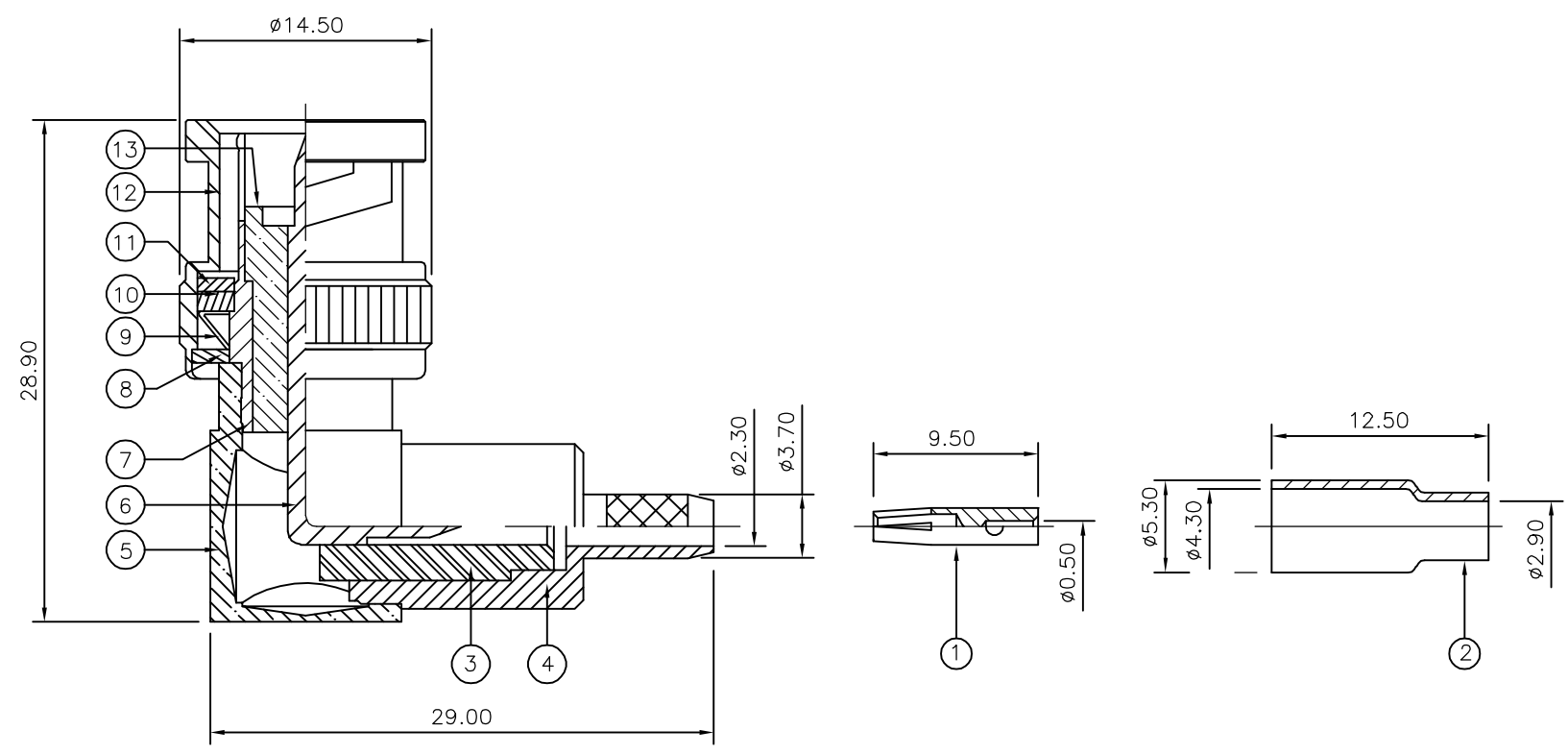


THIS DRAWING IS UNPUBLISHED. RELEASED FOR PUBLICATION NOV ,2005.
 © COPYRIGHT 2005 BY TYCO ELECTRONICS CORPORATION. ALL RIGHTS RESERVED.

LOC	DIST	REVISIONS					
E	B	P	LTR	DESCRIPTION	DATE	DWN	APVD
		C		ECR-05-016219	24NOV05	JMS	FWK

- NOTES:
- 1 PACK IN ACCORDANCE WITH AMP SPEC 107-3275
 - 2 100 TRAY PACK IN ACCORDANCE WITH AMP SPEC 107-3275
 - 3 Ag PLATING
 - 4 THIS ITEM MUST BE WHITE
 - 5 HAND TOOL : 9-1478240-0
 - 6 DIE SET : 9-1478245-0
 - 7 ELECTRICAL CHARACTERISTICS
 FREQUENCY RANGE: DC - 2 GHz
 NOMINAL IMPEDANCE: 75 Ohm
 INSULATION RESISTANCE: 5000 MOhm
 WORKING VOLTAGE: 500 Volts RMS at Sea Level
 DIELECTRIC WITHSTAND VOLTAGE: 1500 Volts RMS Max
 CONTACT RESISTANCE:
 CENTRE CONTACT: 1.50 mOhm Max
 OUTER CONTACT: 0.20 mOhm Max
 VSWR @ 2GHz: 1.25:1 Max
 INSERTION LOSS dB @ x 2 GHz: 0.30 Max
 - 8 MECHANICAL CHARACTERISTICS
 COUPLING RETENTION FORCE: 445N Min
 CABLE RETENTION FORCE: 85N Min
 DURABILITY: 500 Cycles Min
 - 9 ENVIRONMENTAL CHARACTERISTICS
 OPERATING TEMPERATURE: -65 to +165 DegC



QTY	PLC	MATERIAL	DESCRIPTION	ITEM
1	1	PTFE	INSULATION	13
1	1	BRASS	3 SHELL	12
1	1	SILICON RUBBER	4 GASKET	11
1	1	BRASS	3 WASHER	10
1	1	SPRING STEEL	SPRING	9
1	1	BRASS	3 WASHER	8
1	1	BRASS	3 BODY II	7
1	1	BRASS	3 CONTACT II	6
1	1	BRASS	3 BODY I	5
1	1	BRASS	3 CHASSIS	4
1	1	PTFE	INSULATION	3
1	1	BRASS	3 FERRULE	2
1	1	BRASS	3 CONTACT I	1
6--0	1--0	MATERIAL	DESCRIPTION	ITEM

THIS DRAWING IS A CONTROLLED DOCUMENT.		DWN J.SANDWELL 24NOV05	Tyco Electronics Corporation Bideford EX39 4HE	
DIMENSIONS: mm		CHK S.PARLOW 24NOV05		
TOLERANCES UNLESS OTHERWISE SPECIFIED:		APVD F.WHEELER-KING 24NOV05	NAME BNC ELBOW PLUG CRIMP 75 OHM RG179B/U, 187A/U, URM111	
0 PLC ± - 1 PLC ± - 2 PLC ± - 3 PLC ± - 4 PLC ± - ANGLES ± -		PRODUCT SPEC 108-3435		
MATERIAL SEE TABLE		FINISH -	APPLICATION SPEC 411-3247	RESTRICTED TO -
CUSTOMER DRAWING		WEIGHT -	SIZE A3	CAGE CODE 00779
			DRAWING NO 1337440	SCALE NTS
			SHEET 1	OF 1
			REV C	