

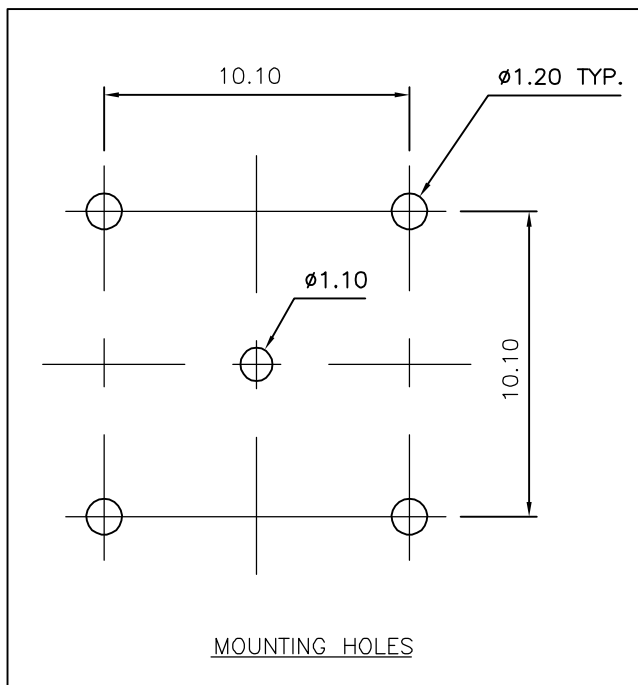
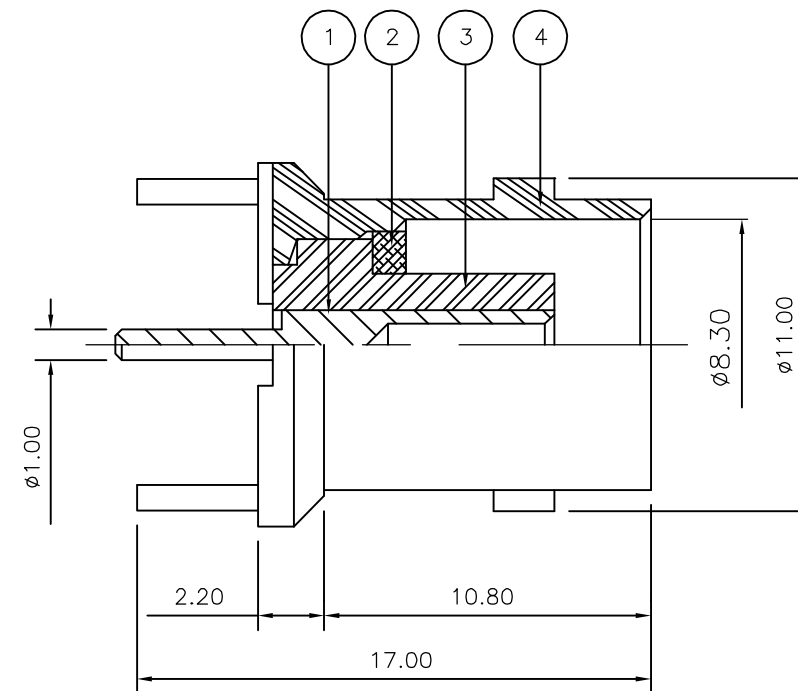
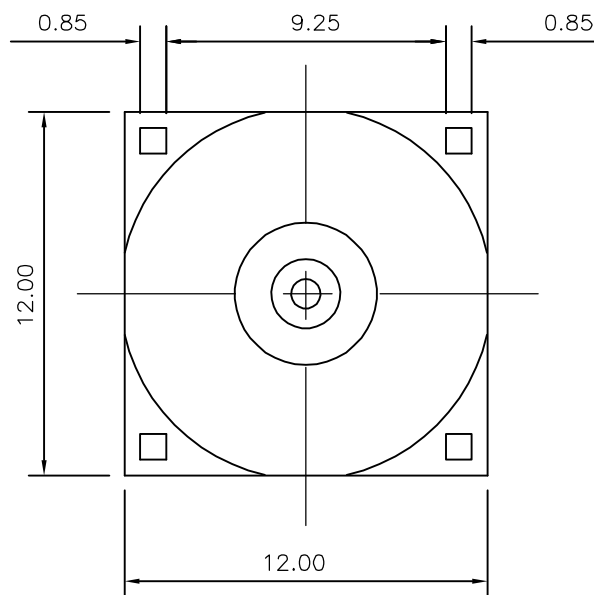
THIS DRAWING IS UNPUBLISHED. RELEASED FOR PUBLICATION NOV ,2005.

© COPYRIGHT 2005 BY TYCO ELECTRONICS CORPORATION. ALL RIGHTS RESERVED.

LOC	DIST	REVISIONS					
E	B	P	LTR	DESCRIPTION	DATE	DWN	APVD
		C		ECR-05-016219	26NOV05	JMS	FWK

NOTES:

- 1 PACK IN ACCORDANCE WITH AMP SPEC 107-3275
- 2 100 TRAY PACK IN ACCORDANCE WITH AMP SPEC 107-3275
- 3 Ag PLATING
- 4 **ELECTRICAL CHARACTERISTICS**
 FREQUENCY RANGE: DC - 4 GHz
 NOMINAL IMPEDANCE: 50 Ohm
 INSULATION RESISTANCE: 5000 MOhm
 WORKING VOLTAGE: 500 Volts RMS at Sea Level
 DIELECTRIC WITHSTAND VOLTAGE: 1500 Volts RMS Max
 CONTACT RESISTANCE:
 CENTRE CONTACT: 1.50 mOhm Max
 OUTER CONTACT: 0.20 mOhm Max
 VSWR @ xGHz: N/A
 INSERTION LOSS xdb: N/A
- 5 **MECHANICAL CHARACTERISTICS**
 COUPLING RETENTION FORCE: N/A
 CABLE RETENTION FORCE: N/A
 DURABILITY: 500 Cycles Min
- 6 **ENVIRONMENTAL CHARACTERISTICS**
 OPERATING TEMPERATURE: -65 to +165 DegC



QTY	QTY PER ASSY	MATERIAL	DESCRIPTION	ITEM
1	1	BRASS	BODY	4
1	1	PTFE	INSULATION	3
1	1	BRASS	SLEEVE	2
1	1	BRASS	CONTACT	1
6--0	1--0	MATERIAL	DESCRIPTION	ITEM

THIS DRAWING IS A CONTROLLED DOCUMENT.		DWN J.SANDWELL 26NOV05	Tyco Electronics Corporation Bideford EX39 4HE													
DIMENSIONS: mm		CHK S.PARLOW 26NOV05														
TOLERANCES UNLESS OTHERWISE SPECIFIED:		APVD F.WHEELER-KING 26NOV05	NAME BNC STRAIGHT PCB SOCKET 50 OHM													
<table border="1"> <tr><td>0 PLC</td><td>± -</td></tr> <tr><td>1 PLC</td><td>± -</td></tr> <tr><td>2 PLC</td><td>± -</td></tr> <tr><td>3 PLC</td><td>± -</td></tr> <tr><td>4 PLC</td><td>± -</td></tr> <tr><td>ANGLES</td><td>± -</td></tr> </table>		0 PLC	± -	1 PLC	± -	2 PLC	± -	3 PLC	± -	4 PLC	± -	ANGLES	± -	PRODUCT SPEC 108-3435	SIZE A3	
0 PLC	± -															
1 PLC	± -															
2 PLC	± -															
3 PLC	± -															
4 PLC	± -															
ANGLES	± -															
MATERIAL SEE TABLE		FINISH -	APPLICATION SPEC -	CAGE CODE 00779												
		WEIGHT -	DRAWING NO C-1337445	RESTRICTED TO -												
CUSTOMER DRAWING			SCALE NTS	SHEET 1 OF 1												
			REV C													