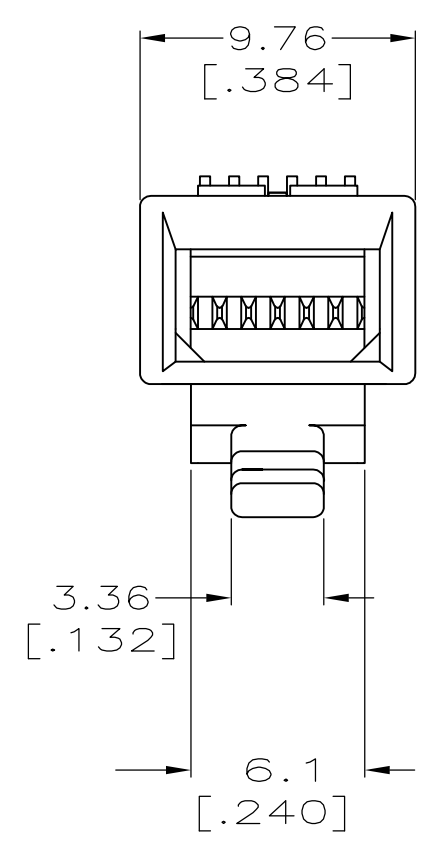
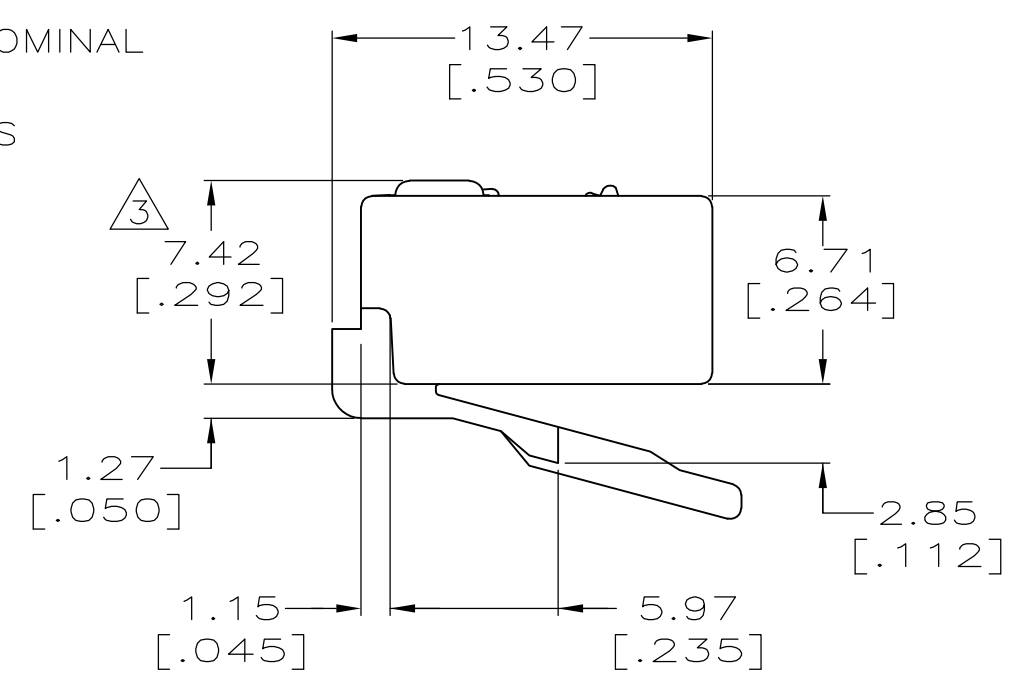
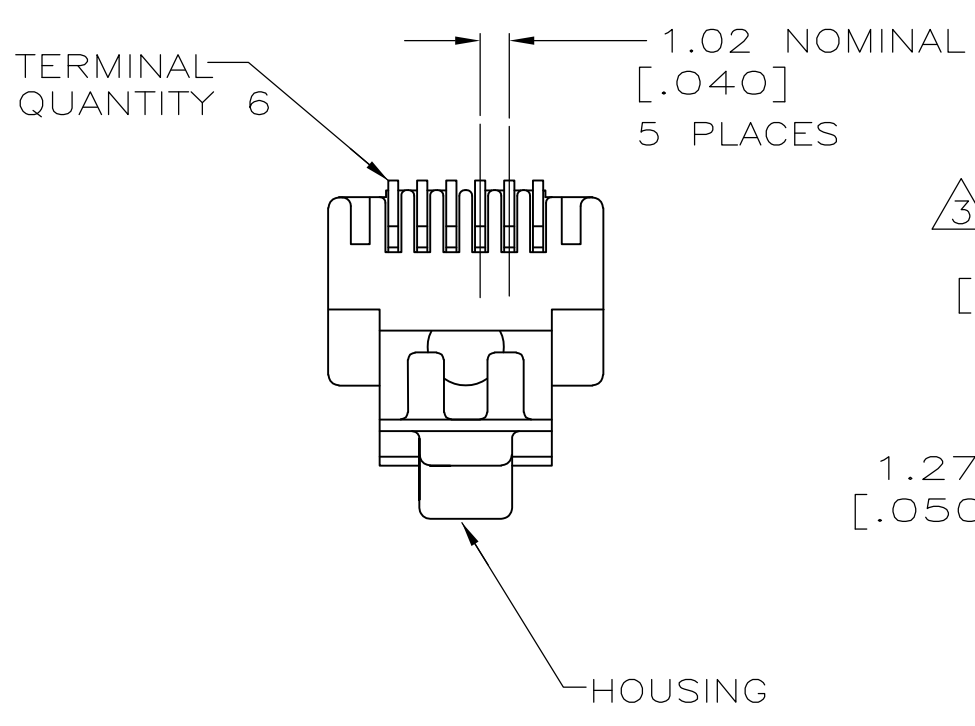
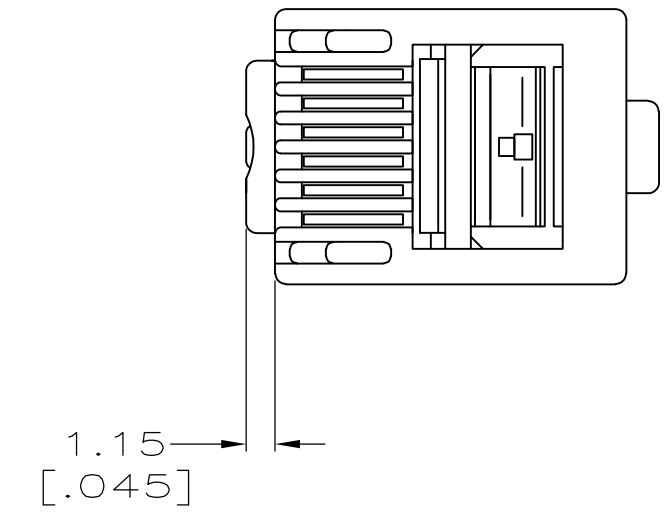


THIS DRAWING IS UNPUBLISHED. RELEASED FOR PUBLICATION
 © COPYRIGHT - By - ALL RIGHTS RESERVED.

LOC	DIST	REVISIONS			
P	LTR	DESCRIPTION	DATE	OWN	APVD
HM	00	N	REV PER ECO-12-012918	05JUL2012	JM JG

- 1 MATERIAL: HOUSING—POLYCARBONATE,CLEAR. TERMINAL—0.36[.014] THICK PHOSPHOR BRONZE PLATED WITH 1.27μm[.000050] THICK GOLD IN LOCALIZED GOLD PLATE AREA,OVER 2.54μm[.000100] THICK NICKEL UNDERPLATE.
- 2. PLUG WILL ACCEPT 0.89[.035] DIAMETER STRANDED, 26 OR 28 AWG, OR TINSEL 28 AWG WIRE WITH A 4.58[.180] DIAMETER MAXIMUM JACKET.
- 3 TERMINATED DIMENSION 6.15[.242] MAXIMUM.
- 5 DIMENSIONS ARE MAXIMUM UNLESS OTHERWISE SPECIFIED.
- 6 10,000 ASSEMBLIES PER PACKAGE.
- 7 1000 ASSEMBLIES PER PACKAGE.
- 8 100 ASSEMBLIES PER PACKAGE.



OBSOLETE

8	LOOSE PIECE	5-554710-3
7		5-554710-2
6		5-554710-1
	REELED	554710-1
	PACKAGED	DESCRIPTION
		PART NO.

THIS DRAWING IS A CONTROLLED DOCUMENT.		DWN	L. HALL	11DEC2007	TE Connectivity
DIMENSIONS: mm[INCHES]		CHK	B. MCNEILL	11DEC2007	
TOLERANCES UNLESS OTHERWISE SPECIFIED:		APVD	B. MCNEILL	11DEC2007	
0 PLC ± -	1 PLC ± -	NAME		108-1163	MODULAR PLUG ASSEMBLY, 6 POSITION, ROUND CABLE
2 PLC ± -	3 PLC ± -	PRODUCT SPEC		114-6016	
4 PLC ± -	ANGLES ± -	APPLICATION SPEC		114-6016	SIZE
MATERIAL - 1	FINISH - 1	WEIGHT		-	CAGE CODE
		CUSTOMER DRAWING		SCALE 4:1	DRAWING NO
				SHEET 1 of 1	REV N