

PRODUCT NUMBER
76745-XXX-XXLF

WHEN REQUIRED, ADD SUFFIX LETTER "LF"
INDICATES THE PRODUCT IS ROHS
COMPATIBLE; SEE NOTE 6
TOTAL NB OF POS (04 TO 72 POS)
OPTION LETTER, SEE NOTE 6

PLATING

1 = 0.76µm GOLD/GXT,
OVER 1.27µm Ni MIN

8 = 0.38µm GOLD/GXT
OVER 1.27µm Ni MIN

3 = 3.81µm TIN/LEAD
OVER 1.27µm Ni MIN

- WHEN "LF" IS REQUIRED, 2µm MATTE
TIN OVER 1.27µm MIN NICKEL IS
PROVIDED INSTEAD OF TIN-LEAD

NOTES:

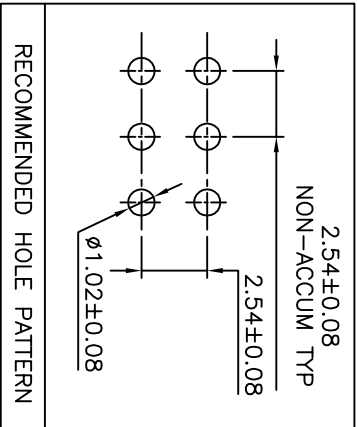
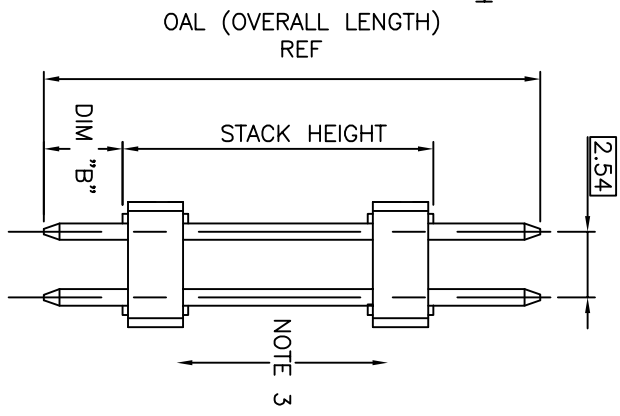
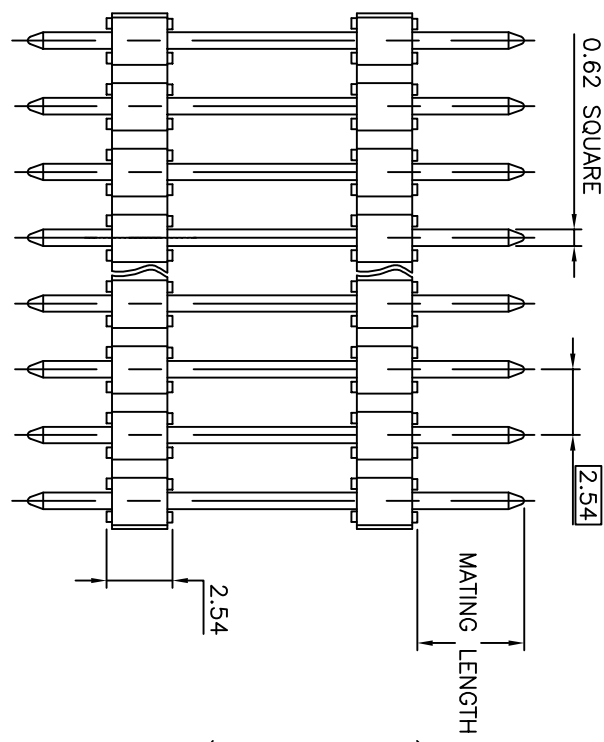
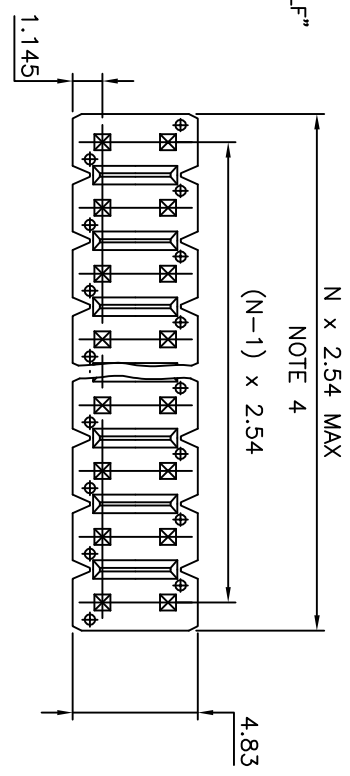
1. HOUSING MAT'L : HIGH TEMPERATURE THERMOPLASTIC. UL94V-0 COLOR: BLACK.
2. PIN MATERIAL : PHOSPHOR BRONZE.
3. 12N MIN RETENTION IN EITHER DIRECTION.
4. TO DETERMINE DIMENSIONS :
N = NUMBER OF POSITIONS PER ROW
EXAMPLE : 8 POS PER ROW, N x 2.54 = 20.32mm
5. FOR STANDARD SELECTIVE GOLD PLATED PRODUCTS
SEE DRAWINGS 54111 & 54121.
6. OPTION LETTER :
- = STANDARD POLYBAGS PACKAGING
V = POLYBAGS PACKAGING FOR VALEO
7. ROHS COMPATIBLE PRODUCT SPECIFICATIONS

d - PLATING:

- "LF" MEANS THE PRODUCT IS LEAD-FREE,
2µm MINIMUM MATTE TIN OVER 1.27µm
MINIMUM NICKEL UNDERPLATE.

b - MANUFACTURING PROCESS COMPATIBILITY
- THE HOUSING WILL WITHSTAND EXPOSURE TO
260°C ±5°C SOLDER BATH TEMPERATURE FOR
WITH A 1.6mm MIN THICK CIRCUIT BOARD.

c - LABELING:
- MEETS PACKAGING SPECS AS PER GS-14-920
d - LEGAL STATEMENT: SEE GS-47-0004



mat'l. code		surface		tolerance		projection		product family	
ltr	ecr no	dr	date	ISO 1302	ISO 406	ISO 1101	mm	title	BSTIK
EX	F11-0045	LMU	11.04.05	tolerances unless otherwise specified	xx	±0.3	mm	HEADER STR, DR	
EY	F12-0023	LMU	12.06.06	angles	linear	xxx	±0.13	DOUBLE BODY	
FA	F12-0090	JFA	12.12.07	dr	NIZZI P	engr	COMPAIGNON J	95.12.05	scale 5:1
EV	F10-0221	LMU	10.09.08	thr				76745	sheet 1 of 3
EW	F10-0258	LMU	10.12.19	appd	JMC			A3	size
Sheet	revision	FA	BX	E				CUSTOMER	Drawing
index	sheet	1	2	3					

1 2 3 4 5 6

APPLICATION SPECIFIC				
PIN STYLE	MATING LENGTH ±0.2	STACK HEIGHT ±0.25	"B" ±0.25	("OAL") REF
01	8.71	19.76	2.65	31.12
02	6.87	16.5	3.05	26.42
03	6.87	13.0	3.63	23.5
04	5.6	6.5	2.88	14.98
05	5.51	8.0	3.05	16.56
06	6.61	11.3	3.05	20.96
07	5.58	10.3	2.54	18.42
08	5.81	7.7	3.05	16.56
09	5.72	5.08	2.54	13.34
10	6.9	10.45	2.71	20.06
11	11.2	9.5	2.8	23.5
13	9.07	6.3	3.05	18.42
14	5.33	21.5	2.48	29.31
17	7.5	23.45	3.05	34.0
19	9.5	10.45	3.55	23.5
21	11.96	18.5	3.2	33.66
23	9.0	25.9	3.05	37.95
24	8.87	14.5	3.05	26.42
25	9.84	11.43	9.85	31.12
28	6.6	8.25	2.8	17.65
29	9.1	15.7	3.2	28.0
36	10.55	7.5	10.53	28.58
40	7.0	6.5	3.06	16.56
55	13.0	20.0	3.2	36.2
57	11.78	5.08	3.23	20.06
58	23.0	8.5	5.5	36.97
59	9.0	18.2	9.0	36.2
62	9.2	9.3	3.5	22.0
68	6.75	8.0	2.9	17.65
71	6.8	5.2	2.69	14.69
79	9.95	39.0	3.05	52.0
80	5.68	7.0	2.3	15.0
88	10.8	8.0	3.7	22.5
AN	10.0	29.0	3.0	42.0
BD	11.7	13.5	3.21	28.41
BW	11.5	11.5	3.04	26.04
BT	8.5	35.0	8.5	52.0
CB	9.0	30.0	3.0	42.0
CD	9.24	12.0	9.24	30.48
CF	8.25	16.0	8.25	32.5

APPLICATION SPECIFIC				
PIN STYLE	MATING LENGTH ±0.2	STACK HEIGHT ±0.25	"B" ±0.25	("OAL") REF
CG	6.0	40.0	6.0	52.0
CH	11.02	12.0	3.02	26.04
CN	7.08	5.60	7.08	19.77
CP	9.50	7.00	2.41	18.91
CT	11.0	6.0	11.0	28.0
CU	9.75	13.0	9.75	32.5
CV	9.44	13.00	3.60	26.04
CW	5.00	36.00	5.00	46.00
CX	10.00	26.00	6.00	42.00
CY	10.9	18.20	10.9	40.00
CZ	5.5	23.00	5.50	34.00
DA	13.00	14.50	6.50	34.00
DB	12.75	8.50	12.75	34.00
DC		SEE SHEET 3		
DE	6.00	34.00	6.00	46.00
DF	9.12	7.80	9.12	26.04
DG	3.50	43.00	3.50	50.00
DH	6.50	8.00	6.50	21.00
DJ	5.80	17.75	5.80	29.31
DK	5.40	9.00	2.90	17.30
DL	9.00	8.50	6.00	23.50
DM	7.40	23.70	3.30	34.40
DN	7.40	12.10	3.30	22.80
DP	8.00	16.80	5.40	30.20
DR	6.40	15.00	6.40	27.80
DS	7.00	29.00	7.00	43.00
DT	9.80	27.40	9.80	47.00
DU	9.50	36.50	9.50	55.50
DV	9.30	6.30	5.80	22.00
DW	5.30	40.40	3.30	49.00

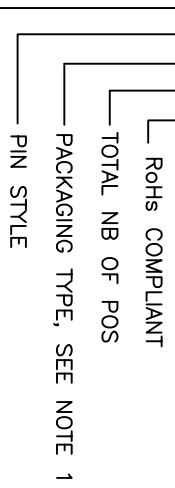
APPLICATION SPECIFIC				
PIN STYLE	MATING LENGTH ±0.2	STACK HEIGHT ±0.25	"B" ±0.25	("OAL") REF
DX	6.50	12.50	6.50	25.50
DY	6.50	9.50	6.50	22.50
EA	6.65	32.30	3.05	42.00
EB	2.66	15.00	5.84	23.50
EC	10.00	39.60	2.40	52.00
ED	5.40	57.20	2.40	65.00
EF	5.84	46.50	3.05	55.40
EG	5.60	20.00	5.64	31.24

Form A3 1 2 3 4 5 6

mat'l. code	surface	tolerance	projection	product family
ltr ecn no dr date	ISO 1302	ISO 406 ISO 1101	mm	BSTIK
BT F08-0236LMU 09.11.13	tolerances unless otherwise specified			title
BU F10-0221LMU 10.08.30	angles	linear		HEADER STR, DR
BV F10-0259LMU 10.12.19			scale	DOUBLE BODY
BW F11-0049LMU 11.04.04	COMPAGNON J	94.05.05		sheet no
BX F12-0090JFA 12.12.07	lengr JMC	95.08.28		76745
BS F07-0180LMU 07.04.24	lengr JMC	95.08.28		sheet 2 of 3
sheet revision				A3
index sheet				Drawing
				CUSTOMER

SPECIFIC PRODUCT NUMBER

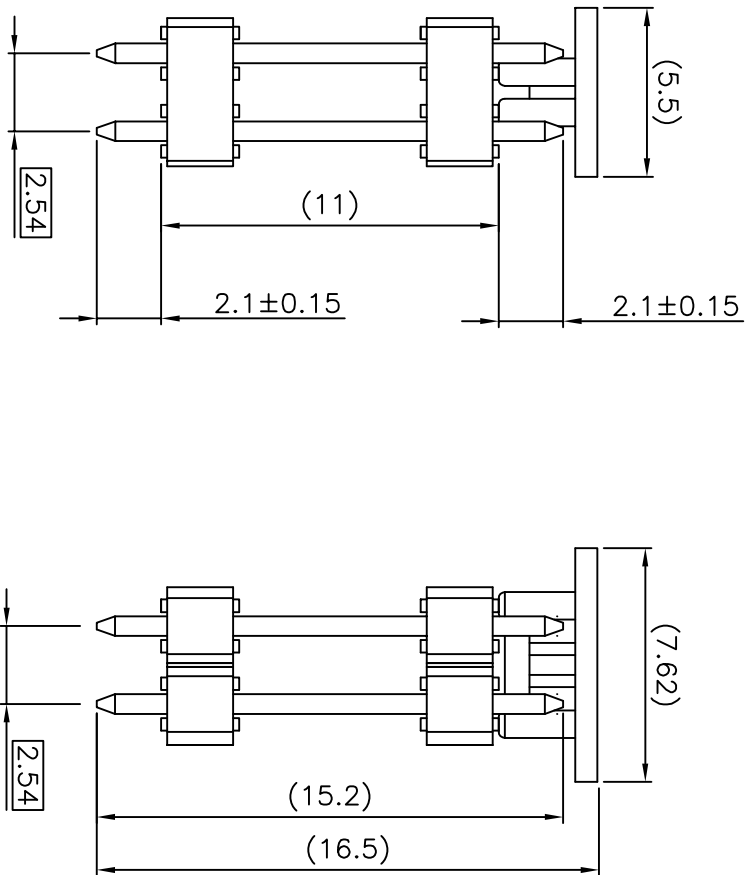
76745-3DCA04LF



3 = 2µm MATTE TIN
OVER 1.27µm Ni MIN

NOTES :

1. PACKAGING : A = TAPE & REEL PACKAGING WITH PICK UP CAP INSTALLED SEE TA 840
2. PRODUCT COMPATIBLE WITH REFLOW PROCESS. 255°C PEAK TEMPERATURE 10-40 SECONDES IN A CONVECTION, INFRA-RED OR VAPOR PHASE



mat'l. code		surface		tolerance		projection		product family	
ISO 1302		ISO 406		ISO 1001		mm		BSTIK	
ltr	ecn no	dr	date	tolerances unless otherwise specified		mm		title	
A	F06-110	LMU	06.01.26					HEADER STR, DR	
B	F06-0196	LMU	06.06.20					DOUBLE BODY	
C	F07-0266	LCO	07.10.15					sheet 3 of - size	
D	F12-0023	LMU	12.06.06	L.MULIN		06.01.31		A3	
E	F12-0090	JFA	12.12.07	J.COMPAGNON		06.01.31		Drawing	
sheet index		revision sheet		appd JMC		06.01.31		type CUSTOMER	